

FEATURES

- 1 Form C contact arrangement
- 6g compact lightweight structure
- High resistance for vibration and shock
- Using at automotive, security systems, etc.



ORDERING INFORMATION

LQ

— 12
S

1
2
3
4

- | | |
|------------------------|-------------------------|
| 1. Type | 3. Coil Nominal Voltage |
| 2. Contact Arrangement | 4. Coil Sensitivity |
| Nil: 1 Form C | Nil : 0.8W |
| 1A: 1 Form A | S : 0.6W |
| 2A: 2 Form A | |

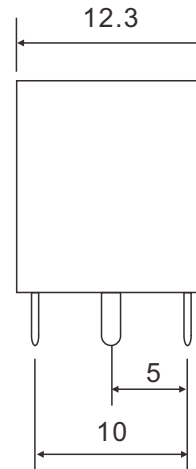
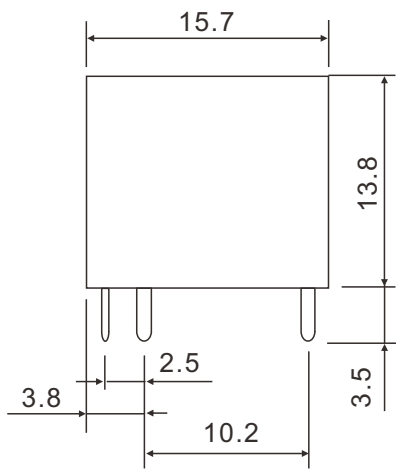
CONTACT RATING

1 Form C	Resistive (Cos.θ = 1)	14 VDC	20A
2 Form A	Resistive (Cos.θ = 1)	14 VDC	10A

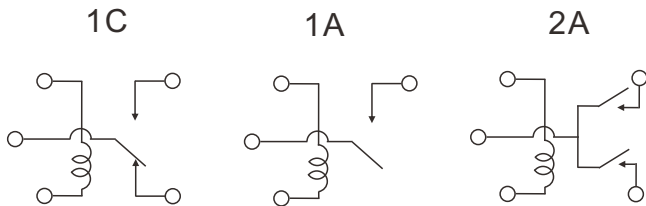
COIL DATA(0.6W,0.8W, at 25°C)

Coil Nominal Voltage (VDC)	Resistance Tol. ±10% (Ohms)		Nominal Current (mA)		Maximum Pick Up Voltage (V)	Minimum Drop Out Voltage (V)
	0.8W	0.6W	0.8W	0.6W		
6	45	60	133.4	100.0	3.6	0.6
9	100	135	90.0	66.7	5.4	0.9
12	180	240	66.7	50.0	7.2	1.2
24	720	960	33.3	25.0	14.4	2.4

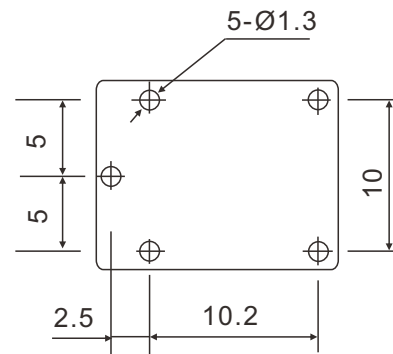
DIMENSIONS(±0.2mm)



**WIRING DIAGRAM
(BOTTOM VIEW)**



**P.C.B LAYOUT
(BOTTOM VIEW)**



GENERAL DATA

Insulation Resistance	100 MΩ Min. (DC 500V)
Dielectric Strength	500 VAC, 50/60Hz between contact.
	1,000 VAC, 50/60Hz between all elements.
Contact Material	Ag Alloy.
Contact Resistance	100 milliohms max. (initial value)
Shock Resistance	Malfunction: 10G(11ms) ; Destructive: 100G(6ms)
Vibration Resistance	Malfunction: 10 to 55 Hz. at Double Amplitude of 1.5 mm
	Destructive: 10 to 55 Hz. at Double Amplitude of 1.5 mm
Operation Time	10 ms max.
Release Time	5 ms max.
Temperature Range	- 40°C ~ + 85°C
Expected Life	With operation rate 30/min.
	Mechanical - 10,000,000 operations min.
	Electrical - 100,000 operations min. at rated load.
Weight	6 grams