

**ZION**  
Communication  
[www.zion-communication.com](http://www.zion-communication.com)



**3G,4G,5G CABLE  
&ASSEMBLES  
SOLUTIONS  
CATALOG**

# DEAR BUSINESS PARTNERS,

ZION COMMUNICATION is a professional signal products and security system products provider. We believe on investing and building strong R&D capabilities for new technology and innovation. We have a strong R&D team and skilled workers, also with the advanced machines and modern factories which can provide our customers with outstanding quality, service. Our company keep on investing other factories and build up strong cooperation with other companies too to provide whole products and systems in signal field and security systems to satisfy customers orders inquire.

ZION COMMUNICATION 's management and international sales teams are committed to our customers' utmost satisfaction. Our experienced team experts strives to service every inquiry, quote, and order quickly and efficiently, meeting and often exceeding customers' expectations.

ZION COMMUNICATION is keep on developing in healthy and reasonable speed, and welcome to be partners of us.

Best wishes,

A handwritten signature in black ink that reads "Michael". The signature is fluid and cursive, with a long vertical stroke extending downwards from the end of the name.

Michael Xsu





**Factory And Production Equipment** 1



**Quality Control** 2



**3G,4G,5G Cable & Assembles Solutions** 3



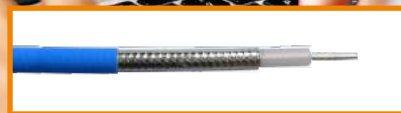
**LLC Cable** 4



**RF Coax Cable** 5



**RG Coax Cable** 7



**SEMI-Flexible Series** 9



**JIS C 50** 12



**Accessories** 15



**Packing** 20





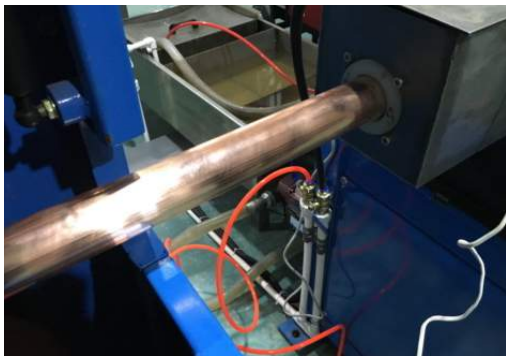
# Factory And Production Equipment



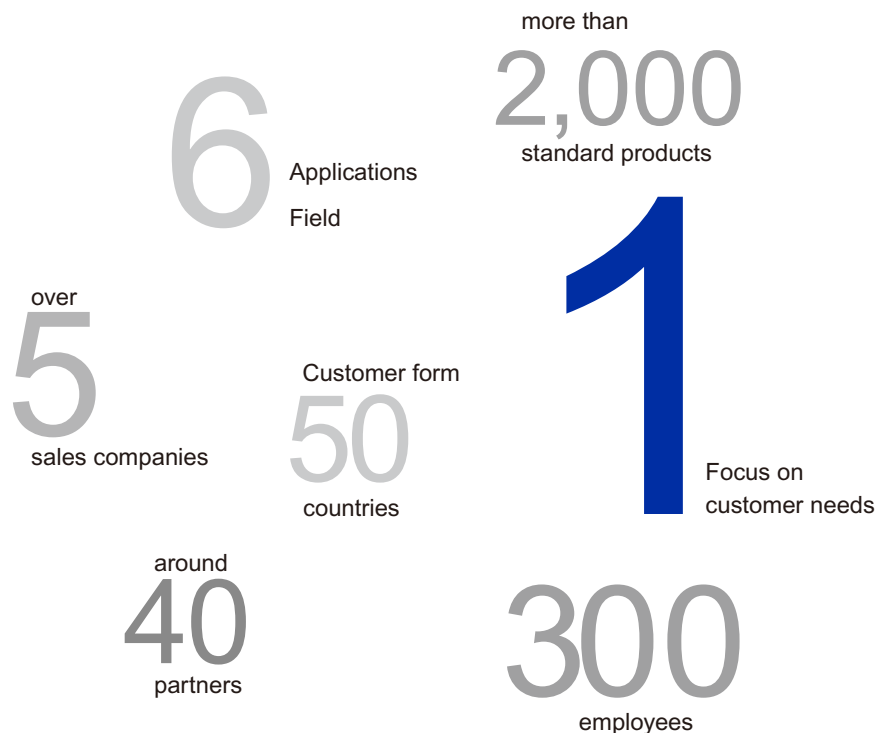
## Quality Control

Consistent quality is the key to develop long-term business relationship; therefore ZION COMMUNICATION valued consistent quality throughout every phase of manufacturing process.

From raw materials to final products, we perform intense quality checks to maintain our product quality.



Since quality is the buzz word today & each customer/consumer wants it in totality. Our quality policy & work philosophy stresses towards total customer satisfaction. We have well defined interdepartmental as well as intra Departmental Network Blocks where complete monitoring of job works is done. A well trained staff/Dedicated sales /Excelled production force all strive continuously delivering better services to the customer. An ISO-9002 certification is an affidavit to it which consolidates our verdict for quality.





# MAKING QUALITY A PRIORITY

## Quality Control

A highlight of ZION COMMUNICATION is its emphasis on Quality Control, Quality Audit and Quality Assurance in the spheres of manufacturing activities and service, i.e. from RAW MATERIAL TO FINAL PRODUCTS to CUSTOMER SUPPORT SERVICES.

Electrolytic Copper & Aluminum ensures longer life for conductor. Bunching/twisting of ministrants as per international standards. Proper annealing gives softness & flexibility.

Insulation -grade PVC stands high temperatures.  
Higher DI-electric strength insulation used.  
Weather proof sheathing/insulation material.  
Grease/Oil resistant properties.  
Voltage fluctuations don't affect.  
Resistant to fire hazards.  
Self fire-extinguishing & flame proof cables.  
Rigid quality controls conforms to-specification.  
Chemicals and microbiological attacks don't affect.  
No damage due to severe bending while laying.  
Immune to fluctuations in temperatures.  
Fire Insurance approved.

## Description Design

Cable with Copper / Aluminium Conductors PVC insulated colour coded cores laid extruded PVC inner sheathed overall PVC sheathed armored / unarmored cables.

## Tests

Testing is a very important part of cable manufacture and all raw materials and finished cables must be thoroughly tested to ensure the quality of cables. ZION COMMUNICATION has a well equipped test fields and electrical, mechanical and chemical laboratories capable of carrying out all tests which are required as per relevant specifications. The most modern testing equipment is installed in these laboratories.





## Description

ZION COMMUNICATION supplies a wide range of 50 ohm coaxial cables for today's microwave communications, wireless communication systems and their equipment, most used in the field of 4G/LTE/5G. Also for internal wiring harness or external interface cables to meet the needs for more efficient space utilization, smaller external wiring systems and higher signal transfer speeds, typical in medical systems and flexible electronic systems such as LCD panels and PC Notebook computers.

All HANGZHOU ZION COMMUNICATION CO., LTD 50 ohm Coaxial cables comply with International standards within the industry.

## Key Features

Designed for Efficient space utilization

Excellent Bending and Twisting durability

Small diameter and light weight for ease of routing

Excellent thermal and heat resistant properties

Excellent electrical properties with Fluorocarbon Polymers

**CLOSE TO  
CUSTOMERS.**







## LLC Cable



Catalog No.	Cond.Type	Dielectric	Shield 1	Shield 2	Jacket Type	Nom. Capacitance	Nom.Imp.Ω
LLC 100 BC NO.7101001	0.46mm BC 21.2 Ω/km	SPE	NON.BONDED AL FOIL	Nom. 2.10mm Tinned Copper Braid	2.79mm PE/PVC/PUR	101.1 pF/m	50 Ω
LLC 100 CCS NO.7101002	0.46mm CCS 21.2 Ω/km	Foamed PE	NON.BONDED AL FOIL	Nom. 2.10mm Tinned Copper Braid	2.79mm PE/PVC/PUR	101.1 pF/m	50 Ω
LLC 195 BC NO.7101003	0.94mm Bare Copper	SPE	NON.BONDED AL FOIL	Nom. 3.53mm Tinned Copper Braid	4.95mm PE/PVC/PUR	79.7pF/m	50 Ω
LLC 195 CCS NO.7101004	0.94mm Copper Clad Steel	Foamed PE	NON.BONDED AL FOIL	Nom. 3.53mm Tinned Copper Braid	4.95mm PE/PVC/PUR	79.7pF/m	50 Ω
LLC 200 BC NO.7101005	1.12mm Bare Copper	SPE	NON.BONDED AL FOIL	Nom. 3.66mm Tinned Copper Braid	4.95mm PE/PVC/PUR	80.4pF/m	50 Ω
LLC 240 BC NO.7101006	1.42mm Bare Copper	SPE	NON.BONDED AL FOIL	Nom. 4.52mm Tinned Copper Braid	6.10mm PE/PVC/PUR	79.4pF/m	50 Ω
LLC 300 BC NO.7101007	1.78mm Bare Copper	SPE	NON.BONDED AL FOIL	Nom. 5.72mm Tinned Copper Braid	7.62mm PE/PVC/PUR	78.8pF/m	50 Ω
LLC 400 BC NO.7101008	2.74mm Bare Copper	Foamed PE	NON.BONDED AL FOIL	Nom. 8.13mm Tinned Copper Braid	10.29mm PE/PVC/PUR	77.1pF/m	50 Ω
LLC 400 CCA NO.7101009	2.74mm Copper Clad Aluminium	Foamed PE	NON.BONDED AL FOIL	Nom. 8.13mm Tinned Copper Braid	10.29mm PE/PVC/PUR	77.1pF/m	50 Ω
LLC 500 BC NO.7101010	3.61mm Bare Copper	Foamed PE	NON.BONDED AL FOIL	Nom. 10.29mm Tinned Copper Braid	12.70mm PE/PVC/PUR	77.1pF/m	50 Ω
LLC 500 CCA NO.7101011	3.61mm Copper Clad Aluminium	Foamed PE	NON.BONDED AL FOIL	Nom. 10.29mm Tinned Copper Braid	12.70mm PE/PVC/PUR	77.1pF/m	50 Ω
LLC 600 BC NO.7101012	4.47mm Bare Copper	Foamed PE	NON.BONDED AL FOIL	Nom. 12.45mm Tinned Copper Braid	14.99mm PE/PVC/PUR	76.8pF/m	50 Ω
LLC 600 CCA NO.7101013	4.47mm Copper Clad Aluminium	Foamed PE	NON.BONDED AL FOIL	Nom. 12.45mm Tinned Copper	14.99mm PE/PVC/PUR	76.8pF/m	50 Ω



## RF Coax Cable



Catalog No.	Cond.Type	Dielectric	Shield	Jacket Type	Nom. Capacitance	Nom.Imp. Ω
1-¼" Leaky NO.7101101	13.1mm Smooth Copper Tube	Foamed PE	Nom.36.0mm Corrugated Copper Tube and Slot	38.6mm PE	76 pF/m	50 Ω
1-¼" Radiating NO.7101102	13.1mm Smooth Copper Tube	Foamed PE	Nom.33.6mm Overlapping Copper Foil	38.6mm Black PE	76 pF/m	50 Ω
1-¼" RF NO.7101103	13.1mm Smooth Copper Tube	Foamed PE	Nom.36.0mm Corrugated Copper Tube and Slot	38.6mm Black PE	76 pF/m	50 Ω
1-¼" super flexible RF NO.7101104	13.5mm Helical Copper Tube	Foamed PE	Nom.36.0mm Corrugated Copper Tube and Slot	38.6mm Black PE	76 pF/m	50 Ω
1-2" Leaky NO.7101105	4.8mm Smooth Copper Tube	Foamed PE	Nom.13.8mm Corrugated Copper Tube and Slot	15.7mm Black PE	76 pF/m	50 Ω
1-2" Raditing BC NO.7101106	4.80mm Bare Copper	Foamed PE	Nom.13.6mm Overlapping Copper Tube	15.50mm Black PE	76 pF/m	50 Ω
1-2" Raditing CCA NO.7101107	4.80mm Copper Clad Aluminum Wire	Foamed PE	Nom.13.6mm Overlapping Copper Tube	15.50mm Black PE	76 pF/m	50 Ω
1-2" RF BC NO.7101108	4.80mm Bare Copper	Foamed PE	Nom.13.6mm Overlapping Copper Tube	15.7mm Black PE	76 pF/m	50 Ω
1-2" RF CCA NO.7101109	4.80mm Copper Clad Aluminum Wire	Foamed PE	Nom.13.8mm Corrugated Copper Tube	15.7mm Black PE	76 pF/m	50 Ω
1-2" super flexible RF BC NO.7101110	3.55mm Bare Copper	Foamed PE	Nom.12.00mm Helical Copper Tube	13.4mm Black PE	80 pF/m	50 Ω
1-2" super flexible RF CCA NO.7101111	3.55mm Copper Clad Aluminum Wire	Foamed PE	Nom.12.00mm Helical Copper Tube	13.4mm Black PE	80 pF/m	50 Ω
1-2" F(AL) NO.7101112	4.8 ± 0.1mm Copper Clad Aluminum Wire	Foamed PE	13.9mm ± 0.05mm Corrugated Aluminum	15.5 ± 0.5mm Black PE	76 pF/m	50 Ω





## RF Coax Cable



Catalog No.	Cond.Type	Dielectric	Shield	Jacket Type	Nom. Capacitance	Nom.Imp.Ω
1-2" SF(AL) NO.7101113	3.55 ± 0.1mm Copper Clad Aluminum Wire	Foamed PE	12.1±0.05mm Corrugated Aluminum Tube	13.6 ± 0.5mm Black PE	80 pF/m	50 Ω
1-4" RF BC NO.7101115	2.40mm Bare Copper	Foamed PE	Nom.7.5mm Corrugated Copper Tube	9.1mmBlack PE	76 pF/m	50 Ω
1-4" RF CCA NO.7101116	2.40mm Copper Clad Aluminum Wire	Foamed PE	Nom.7.5mm Corrugated Copper Tube	9.1mmBlack PE	76 pF/m	50 Ω
1-4" super flexible RF BC NO.7101117	1.90mm Bare Copper	Foamed PE	Nom.6.35mm Helical Copper Tube	7.50mmBlack PE	80 pF/m	50 Ω
1-4" super flexible RF CCA NO.7101118	1.90mm Copper Clad Aluminum Wire	Foamed PE	Nom.6.35mm Helical Copper Tube	7.50mmBlack PE	80 pF/m	50 Ω
1-5/8" Leaky NO.7101120	17.5mm Helical Copper Tube	Foamed PE	Nom.46.5mm Corrugated Copper Tube and Slot	49.5mm Black PE	76 pF/m	50 Ω
1-5/8" Radiating NO.7101121	17.5mm Helical Copper Tube	Foamed PE	Nom.43.8mm Overlapping Copper Foil	48.3mm Black PE	76 pF/m	50 Ω
1-5/8" RF NO.7101122	17.5mm Helical Copper Tube	Foamed PE	Nom.46.5mm Corrugated Copper Tube	48.3mm Black PE	76 pF/m	50 Ω
3-8" Leaky BC NO.7101123	3.3mm Bare Copper	Foamed PE	Nom.9.6mm Corrugated Copper Tube and Slot	11.2mm Black PE	76 pF/m	50 Ω
3-8" Leaky CCA NO.7101124	3.3mm Copper Clad Aluminum Wire or Copper	Foamed PE	Nom.9.6mm Corrugated Copper Tube and Slot	11.2mm Black PE	76 pF/m	50 Ω
3-8" RF BC NO.7101125	3.3mm Bare Copper	Foamed	Nom.9.6mm Corrugated Copper Tube and Slot	11.2mm Black	76 pF/m	50 Ω



## RF Coax Cable



Catalog No.	Cond.Type	Dielectric	Shield	Jacket Type	Nom. Capacitance	Nom.Imp.Ω
3-8" RF CCA NO.7101126	3.3mm Copper Clad Aluminum Wire	Foamed PE	Nom.9.6mm Corrugated Copper Tube	11.2mm Black PE	76 pF/m	50 Ω
3-8" super flexible RF BC NO.7101127	2.6mm Bare Copper	Foamed PE	Nom.9.10mm Helical Copper Tube	10.2mm Black PE	80 pF/m	50 Ω
3-8" super flexible RF CCA NO.7101128	2.6mm Copper Clad Aluminum Wire	Foamed PE	Nom.9.10mm Helical Copper Tube	10.2mm Black PE	80 pF/m	50 Ω
7-8" RF NO.7101129	9.0mm Smooth Copper Tube	Foamed PE	Nom.24.9mm Corrugated Copper Tube	27.7mm Black PE	76 pF/m	50 Ω
7-8" AL NO.7101130	9.0 ± 0.1mm Smooth Copper Tube	Foamed PE	25.0 ± 0.05mm Corrugated Aluminum Tube	28.0 ± 0.5mm Black PE	73 pF/m	50 Ω

## RG Coax Cable



Catalog No.	Cond.Type	Dielectric	Shield 1	Shield 2	Jacket Type	Nom. Capacitance	Nom.Imp.Ω
RG8 NO.7101201	2.74mm Copper	Foamed PE	8.13mm Bonded Aluminum Foil	Tinned Copper Braid	10.29mm PE	78.4 pF/m	50 Ω
Catalog No.	Cond.Type	Dielectric	Shield		Jacket Type	Nom. Capacitance	Nom.Imp.Ω
RG8X Cu TC PVC NO.7101202	19×0.287mm Copper	Foamed PE	95% Coverage TC		6.15mm PVC	81.4 pF/m	50 Ω
RG8X Cu TCCA PVC NO.7101203	19×0.287mm Copper	Foamed PE	95% Coverage TCCA		6.15mm PVC	81.4 pF/m	50 Ω
RG58 TC TC PVC NO.7101204	19×0.287mm Copper	Foamed PE	95% Coverage TC		6.15mm PVC	101.05pF/m	50 Ω



## RG Coax Cable



Catalog No.	Cond.Type	Dielectric	Shield	Jacket Type	Nom. Capacitance	Nom.Imp.Ω
RG58 TC BC PVC NO.7101205	19×0.18mm Tinned Copper	Solid PE	Nom. 3.50mm Copper	4.95mm PVC	101.05pF/m	50 Ω
RG58 BC TC PVC NO.7101206	19×0.18mm Copper	Solid PE	Nom. 3.50mm Tinned Copper	4.95mm PVC	101.05pF/m	50 Ω
RG58 BC BC PVC NO.7101207	19×0.18mm Copper	Solid PE	Nom. 3.50mm Copper	4.95mm PVC	101.05pF/m	50 Ω
RG142 NO.7101208	0.93mm Silver Plated Copper Clad Steel	PTFE	Nom. 3.95mm Double Silver Plated Copper Braid	4.95mm FPE	96.45 pF/m	50 Ω
RG174 BC NO.7101209	7×0.17mm Bare Copper	Solid PE	Nom. 1.90mm Tinned Copper	2.79mm PVC	101.05pF/m	50 Ω
RG174 CCS NO.7101210	7×0.17mm CCS	Solid PE	Nom. 1.90mm Tinned Copper	2.79mm PVC	101.05pF/m	50 Ω
RG178 NO.7101211	7×0.102mm Silv er Plated Copper Clad Steel	PTFE	Nom. 1.30mm Silver Plated Copper Clad Steel	1.83mm FEP	96.45 pF/m	50 Ω
RG178 FEP NO.7101212	7×0.102mm Silv er Plated Copper Clad Steel	FEP	Nom. 1.30mm Silver Plated Copper Clad Steel	1.83mm FEP	96.45 pF/m	50 Ω
RG179 NO.7101213	7×0.102mm Silv er Plated Copper Clad Steel	PTFE	Nom. 2.04mm Silver Plated Copper Clad Steel	2.54mm FEP	63.65 pF/m	75 Ω
RG213 NO.7101214	7×0.752mm Bare Copper	Solid PE	Nom. 7.85mm Bare Copper	10.30mm PVC	101.05pF/m	50 Ω





## RG Coax Cable



Catalog No.	Cond.Type	Dielectric	Shield	Jacket Type	Nom. Capacitance	Nom.Imp.Ω
RG214 NO.7101215	7×0.752mm Silver Copper Plated	Solid PE	Nom. 8.40mm Double Silver Plated Copper	10.80mm PVC	101.05 pF/m	50 Ω
RG223 NO.7101216	0.90mm Silver Plated Copper	SPE	Nom. 3.95mm Double Silver Plated Copper	5.30mm PVC	101.05 pF/m	50 Ω
RG302 NO.7101217	0.64mm Silver Plated Copper Clad Steel	PTFE	Nom. 4.20mm Silver Plated Copper	5.13mm FEP	63.65 pF/m	75 Ω
RG303 NO.7101218	0.93mm Silver Plated Copper Clad Steel	PTFE	Nom. 3.50mm Silver Plated Copper	4.32mm FEP	96.45 pF/m	50 Ω
RG304 NO.7101219	1.50mm Silver Plated Copper Clad Steel	PTFE	Nom. 5.70mm Double Silver Plated Copper	7.11mm FEP	96.45 pF/m	50 Ω
RG316 FEP NO.7101220	7×0.175mm Silver Plated Copper Clad Steel	FEP	Nom. 1.95mm Silver Plated Copper	2.5mm FEP	96.45 pF/m	50 Ω
RG400 NO.7101221	19×0.203mm Silver Copper Plated	PTFE	Nom. 3.95mm Double Silver Plated Copper	4.95mm FEP	105 pF/m	50 Ω

## SEMI-Flexible Series



Catalog No.	Inner Cond.Type	Dielectric	Out Cond.Type	Jacket Type	Nom. Capacitance	Nom.Imp.Ω
SFC-047/50 NO.7101301	0.29±0.02mm SC/SCCS-wire	PTFE	1.19±0.05mm Tinned Copper wier braid + Tin Soaked		95 pF/m	50 Ω
SFC-047/50 SXE NO.7101302	0.29±0.02mm SC/SCCS-wire	PTFE	1.19±0.05mm Tinned Copper wier braid + Tin Soaked	1.6±0.1mmFEP	95 pF/m	50 Ω



## SEMI-Flexible Series



Catalog No.	Inner Cond.Type	Dielectric	Out Cond.Type	Jacket Type	Nom. Capacitance	Nom.Imp.Ω
SFC-086/25 NO.7101303	0.93±0.02mm SC/SCCS-wire	PTFE	2.10±0.05mm Tinned Copper wier braid + Tin Soaked		190.4 pF/m	25 Ω
SFC-086/25 SXE NO.7101304	0.93±0.02mm SC/SCCS-wire	PTFE	2.10±0.05mm Tinned Copper wier braid + Tin Soaked	2.5±0.1mm FEP / 2.65±0.1mm LSOH/PVC	190.4 pF/m	25 Ω
SFC-086/50 NO.7101305	0.51±0.02mm SC/SCCS-wire	PTFE	2.1±0.05mm Tinned Copper wier braid + Tin Soaked		95 pF/m	50 Ω
SFC-086/50 SEX NO.7101306	0.51±0.02mm SC/SCCS-wire	PTFE	2.1±0.05mm Tinned Copper wier braid + Tin Soaked	2.5±0.1mm FEP / 2.65±0.1mm LSOH/PVC	95 pF/m	50 Ω
SFC-086/50 NO.7101307	0.29±0.02mm SC/SCCS-wire	PTFE	2.1±0.05mm Tinned Copper wier braid + Tin Soaked		63.5pF/m	75 Ω
SFC-086/75 SXE NO.7101308	0.51±0.02mm SC/SCCS-wire	PTFE	2.1±0.05mm Tinned Copper wier braid + Tin Soaked	2.5±0.1mm FEP / 2.65±0.1mm LSOH/PVC	63.5pF/m	75 Ω
SFC-141/25 NO.7101309	1.63±0.02mm SC/SCCS-wire	PTFE	3.52±0.05mm Tinned Copper wier braid + Tin Soaked		190.4pF/m	25 Ω
SFC-141/25 SXE NO.7101310	1.63±0.02mm SC/SCCS-wire	PTFE	3.52±0.05mm Tinned Copper wier braid + Tin Soaked	4.10±0.1mm FEP / 4.25±0.1mm LSOH/PVC	190.4pF/m	25 Ω
SFC-141/35 NO.7101311	1.28±0.02mm SC/SCCS-wire	PTFE	3.58±0.05mm Tinned Copper wier braid + Tin Soaked		136pF/m	35 Ω
SFC-141/35 SXE NO.7101312	1.28±0.02mm SC/SCCS-wire	PTFE	3.58±0.05mm Tinned Copper wier braid + Tin Soaked	4.10±0.1mm FEP / 4.25±0.1mm LSOH/PVC	136pF/m	35 Ω



## SEMI-Flexible Series



Catalog No.	Inner Cond.Type	Dielectric	Out Cond.Type	Jacket Type	Nom. Capacitance	Nom.Imp.Ω
SFC-141/50 NO.7101313	0.94±0.02mm SC/SCCS-wire	PTFE	3.52±0.05mm Tinned Copper wier braid + Tin Soaked		95.1pF/m	50 Ω
SFC-141/50 SXE NO.7101314	0.94±0.02mm SC/SCCS-wire	PTFE	3.52±0.05mm Tinned Copper wier braid + Tin Soaked	4.10±0.1mm FEP / 4.25±0.1mm LSOH/PVC	95.1pF/m	50 Ω
SFC-141/75 NO.7101315	0.51±0.02mm SC/SCCS-wire	PTFE	3.52±0.05mm Tinned Copper wier braid + Tin Soaked		62pF/m	75Ω
SFC-141/75 SXE NO.7101316	0.51±0.02mm SC/SCCS-wire	PTFE	3.52±0.05mm Tinned Copper wier braid + Tin Soaked	4.10±0.1mm FEP / 4.25±0.1mm LSOH/PVC	62pF/m	75 Ω
SFC-141/100 NO.7101317	0.28±0.02mm SC/SCCS-wire	PTFE	3.52±0.05mm Tinned Copper wier braid + Tin Soaked		47.6pF/m	100 Ω
SFC-141/100 SXE NO.7101318	0.28±0.02mm SC/SCCS-wire	PTFE	3.52±0.05mm Tinned Copper wier braid + Tin Soaked	4.10±0.1mm FEP / 4.25±0.1mm LSOH/PVC	47.6pF/m	100 Ω
SFC-160/50 NO.7101319	1.08±0.02mm SC/SCCS-wire	PTFE	4.10±0.05mm Tinned Copper wier braid + Tin Soaked		95.1pF/m	50 Ω
SFC-160/50 SXE NO.7101320	1.08±0.02mm SC/SCCS-wire	PTFE	4.10±0.05mm Tinned Copper wier braid + Tin Soaked	4.70±0.1mm FEP / 4.90±0.1mm LSOH/PVC	95.1pF/m	50 Ω
SFC-250/35 NO.7101321	2.30±0.02mm SC/SCCS-wire	PTFE	6.10±0.05mm Tinned Copper wier braid + Tin Soaked		136pF/m	35 Ω
SFC-250/35 SXE NO.7101322	2.30±0.02mm SC/SCCS-wire	PTFE	6.10±0.05mm Tinned Copper wier braid + Tin Soaked	7.00±0.1mm FEP/LSOH/P VC	136pF/m	35 Ω





## SEMI-Flexible Series



Catalog No.	Inner Cond.Type	Dielectric	Out Cond.Type	Jacket Type	Nom. Capacitance	Nom.Imp.Ω
SFC-250/50 NO.7101323	1.63±0.02mm SC/SCCS-wire	PTFE	6.10±0.05mm Tinned Copper wier braid + Tin Soaked		95pF/m	50 Ω
SFC-250/50 SXE NO.7101324	1.63±0.02mm SC/SCCS-wire	PTFE	6.10±0.05mm Tinned Copper wier braid + Tin Soaked	7.00±0.1mm FEP/LSOH/P VC	95pF/m	50 Ω
SFC-250/75 NO.7101325	0.93±0.02mm SC/SCCS-wire	PTFE	6.15±0.05mm Tinned Copper wier braid + Tin Soaked		63.5pF/m	75 Ω
SFC-250/75 SXE NO.7101326	0.93±0.02mm SC/SCCS-wire	PTFE	6.15±0.05mm Tinned Copper wier braid + Tin Soaked	7.00±0.1mm FEP/LSOH/P VC	63.5pF/m	75 Ω

## JIS C 50



Catalog No.	Inner Cond.Type	Dielectric	Shield 1	Shield 2	Jacket Type	Nom. Capacitance	Nom.Imp.Ω
3D-FB BC TC PE NO.7101401	1.07mm Bare Copper	Foamed PE	Nom. 3.20mm B.AL/Pet Foil	Nom. 3.55mm Tinned Copper	5.40mm PE	82 pF/m	50 Ω
3D-FB BC TCCA PE NO.7101402	1.07mm Bare Copper	Foamed PE	Nom. 3.20mm B.AL/Pet Foil	Nom. 3.55mm Tinned Copper Clad Aluminum Braid	5.40mm PE	82 pF/m	50 Ω
5D-FB BC TC PE NO.7101403	1.80mm Bare Copper	Foamed PE	Nom. 5.20mm BONDED AL FOIL	Nom. 5.70mm Tinned Copper	7.50mm PE	82 pF/m	50 Ω
5D-FB BC TCCA PE NO.7101404	1.80mm Bare Copper	Foamed PE	Nom. 5.20mm BONDED AL FOIL	Nom. 5.70mm Tinned Copper Clad Aluminum Braid	7.50mm PE	82 pF/m	50 Ω
7D-FB BC TC PE NO.7101405	2.60mm Bare Copper	Foamed PE	Nom. 7.50mm BONDED AL FOIL	Nom. 8.00mm Tinned Copper	9.80mm PE	82 pF/m	50 Ω
7D-FB BC TCCA PE NO.7101406	2.60mm Bare Copper	Foamed PE	Nom. 7.50mm BONDED AL FOIL	Nom. 8.00mm Tinned Copper Clad Aluminum Braid	9.80mm PE	82 pF/m	50 Ω



## JIS C 50



Catalog No.	Inner Cond.Type	Dielectric	Shield 1	Shield 2	Jacket Type	Nom. Capacitance	Nom.Imp.Ω
7D-FB CCA TCCA PE NO.7101407	2.60mm Copper Clad Aluminum	Foamed PE	Nom. 7.50mm BONDED AL FOIL	Nom. 8.00mm Tinned Copper Clad Aluminum Braid	9.80mm PE	82 pF/m	50 Ω
8D-FB BC TC PE NO.7101408	2.80mm Bare Copper	Foamed PE	Nom. 8.00mm BONDED AL FOIL	Nom.8.60mm Tinned Copper	10.30mm PE	82 pF/m	50 Ω
8D-FB BC TCCA PE NO.7101409	2.80mm Bare Copper	Foamed PE	Nom. 8.00mm BONDED AL FOIL	Nom.8.60mm Tinned Copper Clad Aluminum Braid	10.30mm PE	82 pF/m	50 Ω
8D-FB CCA TCCA PE NO.7101410	2.80mm Copper Clad Aluminum	Foamed PE	Nom. 8.00mm BONDED AL FOIL	Nom.8.60mm Tinned Copper Clad Aluminum Braid	10.30mm PE	82 pF/m	50 Ω
10D-FB BC TC PE NO.7101411	3.50mm Bare Copper	Foamed PE	Nom. 10.20mm BONDED AL FOIL	Nom.10.80mm Tinned Copper	13.00mm PE	84 pF/m	50 Ω
10D-FB BC TCCA PE NO.7101412	3.50mm Bare Copper	Foamed PE	Nom. 10.20mm BONDED AL FOIL	Nom.10.80mm Tinned Copper Clad Aluminum Braid	13.00mm PE	84 pF/m	50 Ω
10D-FB CCA TCCA PE NO.7101413	3.50mm Copper Clad Aluminum	Foamed PE	Nom. 10.20mm BONDED AL FOIL	Nom.10.80mm Tinned Copper Clad Aluminum Braid	13.00mm PE	84 pF/m	50 Ω
12D-FB BC TC PE NO.7101414	4.40mm Bare Copper	Foamed PE	Nom.12.60mm BONDED AL FOIL	Nom.13.20mm Tinned Copper	15.60mm PE	83 pF/m	50 Ω
12D-FB BC TCCA PE NO.7101415	4.40mm Bare Copper	Foamed PE	Nom.12.60mm BONDED AL FOIL	Nom.13.20mm Tinned Copper Clad Aluminum Braid	15.60mm PE	83 pF/m	50 Ω
12D-FB CCA TCCA PE NO.7101416	4.40mm Copper Clad Aluminum	Foamed PE	Nom.12.60mm BONDED AL FOIL	Nom.13.20mm Tinned Copper Clad Aluminum Braid	15.60mm PE	83 pF/m	50 Ω
Catalog No.	Inner Cond.Type	Dielectric	Shield 1	Jacket Type	Nom. Capacitance	Nom.Imp.Ω	
0.8D-2V NO.7101451	0.26mmCCS	SPE	0.10mm×3×16 BC Braid(L=16)	2.0mmPVC			
1.5D-2V NO.7101452	7×0.18mmBC	SPE	0.10mm×5×16 BC Braid(L=16)	2.9mmPVC			
2.5D-2V NO.7101453	0.80mmBC	SPE	0.12mm×7×16 BC Braid(L=24)	4.3mmPVC			



## JIS C 50



Catalog No.	Inner Cond.Type	Dielectric	Shield 1	Jacket Type	Nom. Capacitance	Nom.Imp.Ω
3D-2V NO.7101454	7×0.32mmBC	SPE	0.14mm×5×24 BC Braid(L=26)	5.3mmPVC		
5D-2V NO.7101455	1.4mmBC	SPE	0.14mm×7×24 BC Braid(L=42)	7.3mmPVC		
5D-2W(L=42) NO.7101456	1.4mmBC	SPE	0.14mm×7×24 BC Braid(L=42)	8.6mmPVC		
5D-2W(L=26) NO.7101457	1.4mmBC	SPE	0.14mm×7×24 BC Braid(L=26)	8.6mmPVC		
8D-2V NO.7101458	7×0.80mmBC	SPE	0.14mm×8×24 BC Braid(L=40)	11.1mmPVC		
10D-2V NO.7101459	2.9mmBC	SPE	0.20mm×10×24 BC Braid(L=60)	13.1mmPVC		

*CLOSE TO  
THE MARKET*





**Pre-laced aramid fiber support grips**



**Hose-to-Hose whipchecks**



**angle adapter kit**



**2.9mm UA3 Angle adapter kit**



**2x3,4" + 1x3,8" angle adapter kits**



**2x3,4" + 1x3,8" UA3 angle adapter**



**1,2 in Universal snap-in hanger**



**1-1,4 in snap-in hanger kit**



**1-1,4" clip-in hangers**



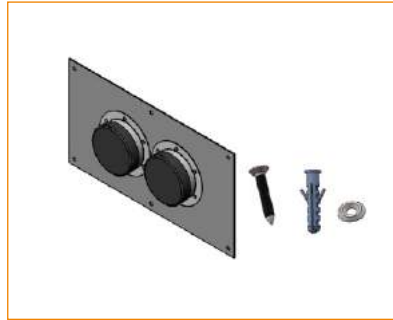
**1-5,8 in universal snap in hanger**



**Snap in hanger 7,8**



**Cable Entry Boot**



**Cable Entry Panel**



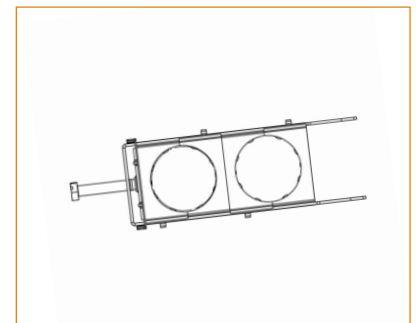
**R100 Elliptical waveguide cable clamp**



**1,2 in Self-locking type cable clamps**



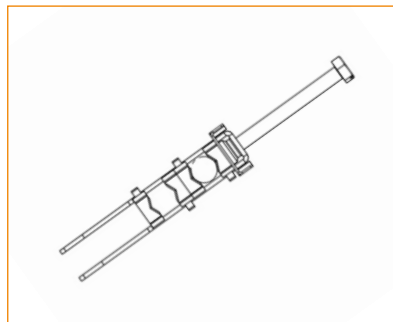
**1-5,8 in hooking cable feeder clamp**



**1-5,8 in self-locking cable clamp**



**4 stacks 10-11mm self-locking cable clamps**



**4-11mm Telecommunication hook feeder clamp**



**7-8 in hook type cable clamp**



**7-8" hook type feeder clamp**



**7-8+13-22mm Combined steel frame cable clamp**



**10-11mm Electrical hanger feeder clamp**



**13-14mm Self-locking hanger clamp**



**Mixed self-locking cable clamps**



**Self-locking cable clamp for 5-8mm and 13-22mm cables**



**3 ways 7+9-14mm feeder clamp**



**4.8+10-11mm coaxial cable clamp**



**4-7+9-14mm Tower clamp within rubber inserts**



**7+9-14mm outdoor feeder clamp**



**7mm fiber cable and 9-14 power cable clamp**



**9-14mm+4-7mm Fixed hanger clamp kit**



**Mixed cable clamp for 4-7mm and 9-14 mm cables**



**Six layers 9-14+4-7mm cable clamp**



**1-2" Self-locking type cable clamps**



**1-5,8 in hooking cable feeder clamp**



**1-5,8 in self-locking cable clamp**



**7,8" leaky cable clamp**



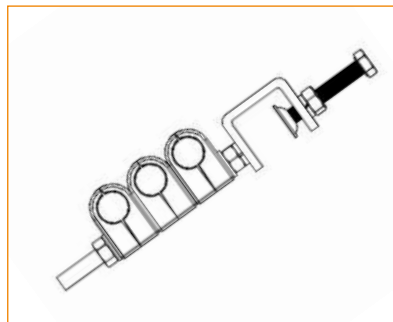
**RSB 7,8" leaky cable clamp**



**1,2 in double holes cable clamp**



**1,2 in flex feeder clamp**



**1,2"three ways cable clamp**



**3,8 in to 4-7mm three stacks feeder clamp**



**3,8 in to 4-7mm double clamp with rubber inserts**



**7,8" network infrastructure clamp**



**15-17mm Tower cable clamp**



**Cable clamp for 7-9mm cables**



**Cable clamp hold 4x(9-14mm) cables**



**Dual ways 1,2 in cable feeder clamp**



**0.5m Winding grounding kit**



**1,4" waterproof grounding kit**



**Bolt-on Grounding Kit for 7,8 in coaxial cable**



**Grounding kit for 7,8" cable**

**ALWAYS  
A PERFECT  
CONNECTION**







# Packing

Packing :

Length : 100M, 200M, 300M,305M,500M,1000M or as customer need

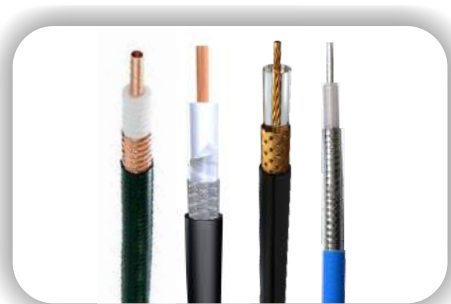
Manner : Reel with PET, Plastic Spool, Wooden Spool, carton, pull box, pallet.



## Quality

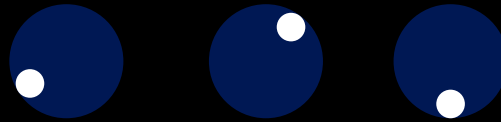
## Professional

## Safety





For more information, please visit us at:  
[www.zion-communication.com](http://www.zion-communication.com)



## ■ CONNECT US



ADD: NO.68,HuaQiao Road,JinCheng,Lin'an,  
Zhejiang,China,311300  
TEL: +86 571 63804414  
FAX: +86-571-63804424  
Email: [info@zion-communication.com](mailto:info@zion-communication.com)