

8HY Series

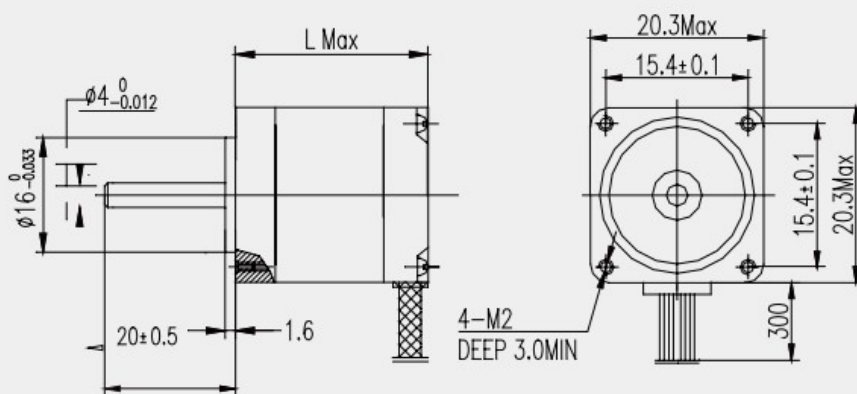
Positional error: $\pm 5\%$;
 Working Temperature: $-20^{\circ}\text{C}\sim+50^{\circ}\text{C}$;
 Temperature rise: 80°C Max;
 Insulation resistance: 100M Ω Min.50V DC;
 Dielectric Strength: 500V AC 1minute
 Insulation class: B.



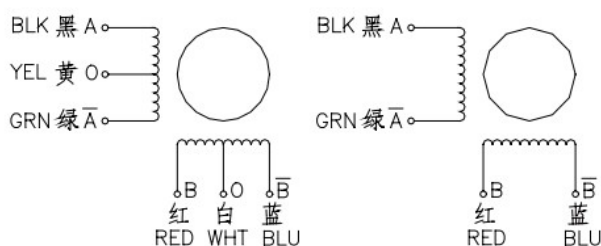
8HY001-2, 8HY002-2

Code	Step angle	Motor length (mm)	Rated current (A)	Resistance per phase (Ω)	Inductance per phase (mH)	Holding torque (mN.m)	Detent torque (mN.m)	Rotor inertia (g.cm ²)	Lead Wire	Motor weight (g)
8HY2402	1.8	28	0.2	23	8.2	1.4	0.2	2.5	4	50
8HY2406	1.8	28	0.6	3.2	0.9	1.4	0.2	2.5	4	50
8HY3402	1.8	34	0.2	25	8.4	1.8	0.3	3.2	4	70
8HY3406	1.8	34	0.6	4.5	1.2	1.8	0.3	3.2	4	70
8HY4402	1.8	40	0.2	32	8.8	2.6	0.5	4.5	4	82
8HY4406	1.8	40	0.6	5.8	1.6	2.6	0.5	4.5	4	82

Dimensions



Wiring Diagram



*We can manufacture products according to customer's requirement