

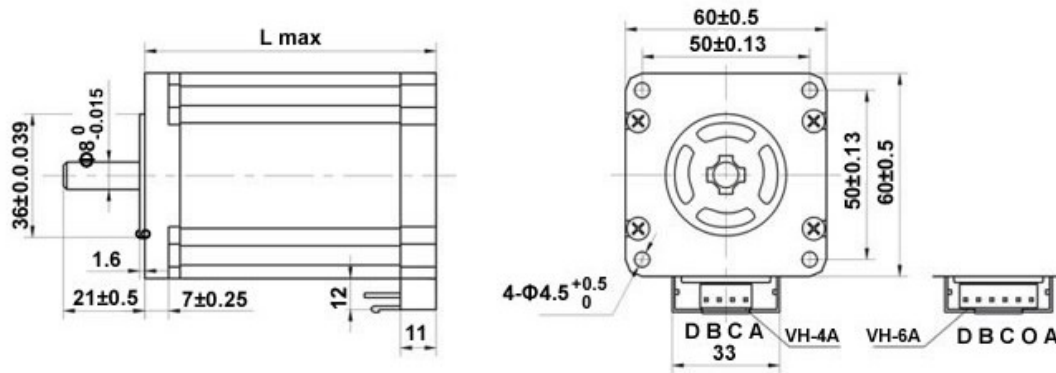
24HD Series

Positional error: $\pm 5\%$;
 Working Temperature: -10°C ~ $+40^{\circ}\text{C}$;
 Temperature rise: 85K;
 Insulation resistance: 100Mohm min 500V DC;
 Insulation class: B.

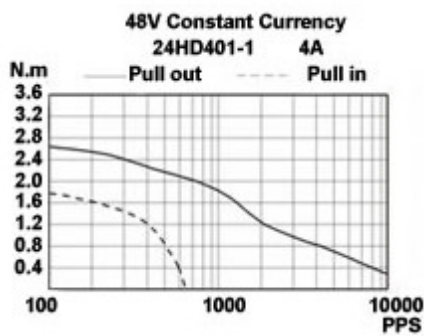


24HD401-1, 24HD401-1

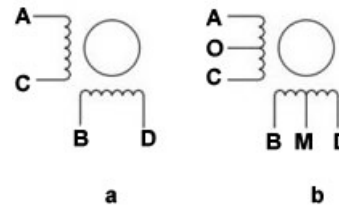
Figure Dimensions



Pulse-torque characteristics



Wiring Diagram



Code	Step angle	Rated current (A)	Resistance per phase (Ω)	Inductance per phase (mH)	Holding torque (mN.m)	Detent torque (mN.m)	Rotor inertia (g.cm ²)	Wiring diagram	Motor mass (g)	Motor length "L"
24HD401-1	1.8°	4.0	0.65	2.4	3.0	0.16	840	a	1.35	86
24HD401-1	1.8°	2.8	0.32	0.6	1.8	0.16	840	b	1.35	86