



针型阀系列 "NEEDLE VALVE SERIES"

向着管理现代化、决策科学化、经营规模化、科技国际化的宏伟目标迈进。
Stride toward the grand goal of management modernization, decision-making process more scientific, business scale and internationalization of science.

TANA[®]

WENZHOU TOPNOTCH MACHINE CO.,LTD.

Add:Heyi Industrial Zone, Oubei Town,Yongjia,Wenzhou,
Zhejiang,China 325105

Tel:+86-577-67318591

Fax:+86-577-67328591

Mobile:+86-18906638592

E-mail:market@tanamachine.com

Website:www.tanamachine.com

TANA[®]

WENZHOU TOPNOTCH MACHINE CO.,LTD.

TANA[®]

WENZHOU TOPNOTCH MACHINE CO.,LTD.

TANA[®]
WENZHOU TOPNOTCH MACHINE CO.,LTD.

Brief Introduction

Wenzhou Topnotch Machine Co.,Ltd., brand name TANA .established in the year 2003, located at China famous pump&valve TownOubei,Wenzhou. We'respecialized inproducing and marketing all kinds of industrial valves,pump & actuators. Our corporate Vision is to be a pipeline control specialist by supply products and help our valued customer solve their problems with excellent sales & after-sales service, and also reasonable price.

Over the years, we already have expanded our operations with team of well experienced design,manufacturing and marketing engineers. We have 100 -150 employees,around 50 sets advantaged producing equipments, which ensure our production ability. Our products have been widely application in the gas, oil, refining, chemical, marine, power generation and pipeline transmission industries. And 80% of products are supplied to SoutheastAsia, the Middle East, North America, Europe and Africa, more than 30 oversea countries' we have accumulated good reputation from our clients.

Quality is at the heart of everything we do, through product development to manufacturing, supply and sale. We make products strictly according to International standards & clients' requirements, and have established quality control system to ensure us offer the high quality products.

"Keep the promise and offer the top-class products & service" is our principle, we believe that we can establish and maintain long term win-win cooperation through our mutual effort by reasonable price, good quality product and best service.

Welcome to contact us, thank you!

E-mail: market@tanamachine.com
Website: www.tanamachine.com





生产车间 PRODUCTION WORKSHOP

拥有一流的加工中心及加工设备，运用崭新的工业概念及强大的技术力量，生产出符合国际标准的高品质终极产品。严格遵守国家标准和行业标准，确保产品完全达到设计要求后才能走向市场。先进的自动化生产设备，精良的流水线制作，尽量一流品质。与日俱增的精品意识和源源不断的针型阀精品令泰纳企业日新月异。不管世界如何变化，泰纳人精益求精的执着精神不变。

We have first class machining centers and machining equipment. We will produce high quality ultimate products that are in accordance with international standards by adopting brand new management conception and powerful technical strength. We strictly comply with national and international standards, and put the products into markets only after they fully meet design requirements. The advanced automatic production equipment and fine streamlined manufacturing fully display the first-class quality. The increasingly enhanced conception of fine products and continuous fine ball products have brought great changes with each passing day to TANA enterprise. No matter how the world is changing, TANA personnel's clinging spirit to keep improving will never change.



质保体系 Quality assurance system





Contents 产品目录

细致是监测产品质量的保证
 不让质量问题损害我们的品牌是我们的宗旨
 有序的生产程序
 有效的工作效率是取胜一切的必要基础
 Meticulous monitoring is the assurance of product quality.
 We never allow quality defect infringing our brand.
 Orderly production process and effective working efficiency is quite
 crucial for making success.



01-10 针型截止阀
 Needle type globe valve



11-16 热工仪表阀(电站)
 Thermal instrumentation valves



17-34 美标针阀
 ANSI Needle valve

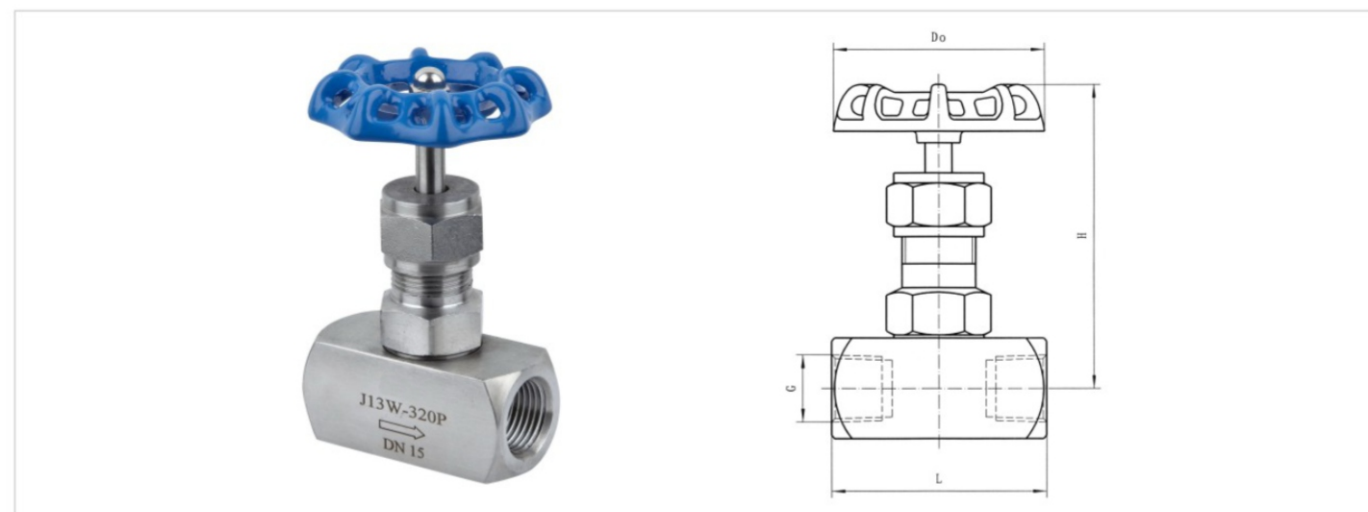


35-44 2.3.5阀组
 Manifold



45-46 管件
 Fitting

▲结构形式 Structure



▲应用规范 Application Specification

- 1、设计制造 Design & Manufacture
GB/T 12224-2005 JB/T 7747-2010
- 2、连接形式: Type of Connection:
内螺纹连接; 承插焊连接
Female Connection; Socket Welded Connection
- 3、结构特征: Features of Structure:
锥面密封; 活动阀瓣 Conical Sealing; ReMoveable Disc
- 4、阀门检验和试验: Inspection and Testing of Valves
GB/T 13927-2008
- 5、材料: Materials:
碳钢按GB/T 12228-2006的规定
Carbon Steel: GB/T 12228-2006
不锈钢GB/T 1220-2007的规定
Stainless Steel: GB/T 1220-2007

▲性能规范 Performance Specification

单位: MPa

试验项目 Test Item	压力值 Pressure value
公称压力 Nominal Pressure	32
壳体试验 Shell Test	48
密封试验 Seal Test	35.2
气压试验 Pneumatic Test	0.6
适用温度 Applicable Temperature	≤450℃
适用介质 Applicable Medium	水、蒸气、油品等 Water, Steam, Oils etc

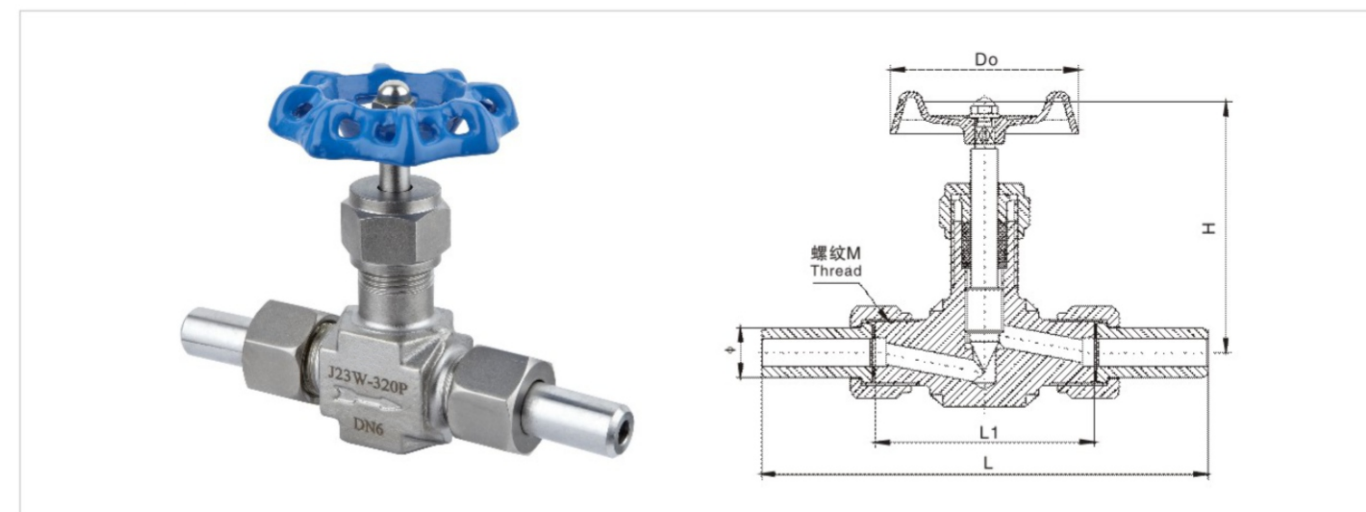
▲主要零件材料 Materials of Major Parts

型号 Model	阀体 Valve Body	接头 Joint	阀杆 Stem	螺帽 Nut	填料 Packing
J13H-320	20#	20#	2Cr13	20#	柔性石墨 PTFE
J13W-320P	SS304	SS304	SS304	SS304	

▲主要外形尺寸 Major Overall Dimensions

规格 Specifications	G	L	H	Do	重量(kg) Weight
DN6	1/4	57	82	63	0.45
DN10	3/8	57	82	63	0.45
DN15	1/2	64	93	63	0.55
DN20	3/4	80	104	78	0.95
DN25	1"	90	130	100	1.7
DN32	1 1/2	110	158	130	3.45

▲结构形式 Structure



▲性能规范 Performance Specification

单位: MPa

试验项目 Test Item	压力值 Pressure value
公称压力 Nominal Pressure	32
壳体试验 Shell Test	48
密封试验 Seal Test	35.2
气压试验 Pneumatic Test	0.6
适用温度 Applicable Temperature	≤450℃
适用介质 Applicable Medium	水、蒸气、油品等 Water, Steam, Oils etc

▲应用规范 Application Specification

- 1、设计制造 Design & Manufacture
GB/T 12224-2005 JB/T 7747-2010
- 2、连接形式: Type of Connection:
对焊式管接头; 卡套式
Butt Welded Connection; Ferrule type.
- 3、结构特征: Features of Structure:
锥面密封; 活动阀瓣 Conical Sealing; ReMoveable disc
- 4、阀门检验和试验: Inspection and Testing of Valves
GB/T 13927-2008
- 5、材料: Materials:
碳钢按GB/T 12228-2006的规定
Carbon Steel: GB/T 12228-2006
不锈钢GB/T 1220-2007的规定
Stainless Steel: GB/T 1220-2007

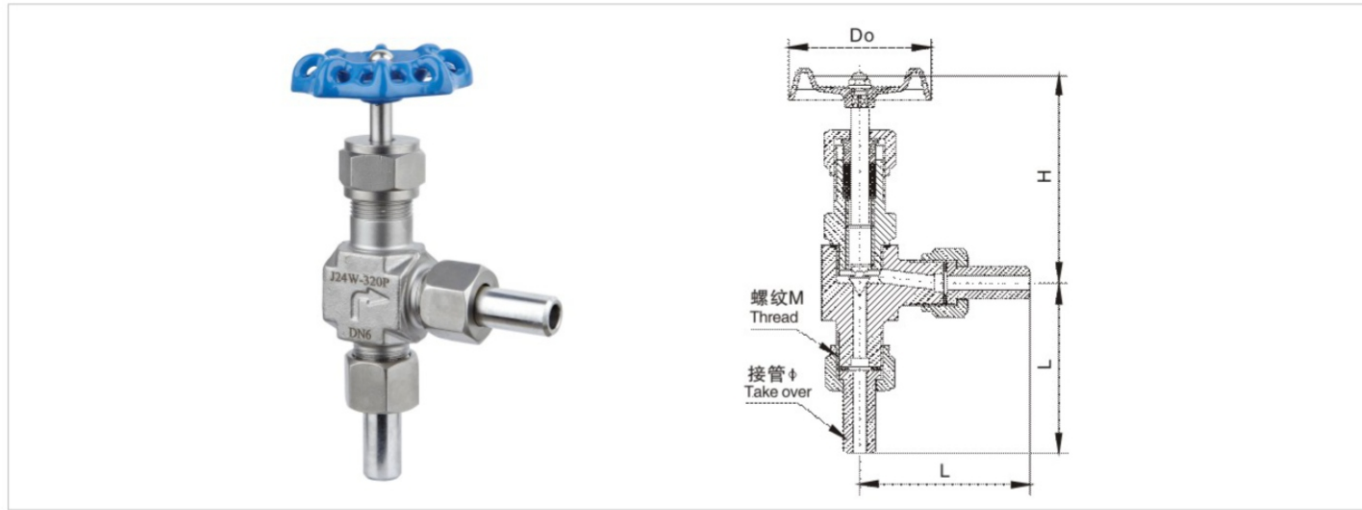
▲主要零件材料 Materials of Major Parts

型号 Model	阀体 Valve Body	接头 Joint	阀杆 Stem	螺帽 Nut	填料 Packing
J23W-160	20#	20#	2Cr13	20#	柔性石墨 PTFE
J23W-160P	1Cr18Ni9Ti	1Cr18Ni9Ti	1Cr18Ni9Ti	1Cr18Ni9Ti	

▲主要外形尺寸 Major Overall Dimensions

规格 Specifications	M	φ	L1	L	H	Do	重量(kg) Weight
DN6	M20 × 1.5	φ 14 × 4	66	132	79	63	0.55
DN10	M24 × 1.5	φ 18 × 4	72	149	96	78	0.85
DN15	M30 × 2	φ 22 × 4.5	88	182	112	98	1.55
DN20	M36 × 2	φ 28 × 5	94	189	120	110	2.35
DN25	M39 × 2	φ 32 × 5.5	102	206	140	128	3.05

▲结构形式 Structure



▲性能规范 Performance Specification

单位: MPa

试验项目 Test Item	压力值 Pressure value
公称压力 Nominal Pressure	32
壳体试验 Shell Test	48
密封试验 Seal Test	35.2
气压试验 Pneumatic Test	0.6
适用温度 Applicable Temperature	≤450℃
适用介质 Applicable Medium	水、蒸气、油品等 Water, Steam, Oils etc

▲应用规范 Application Specification

- 设计制造 Design & Manufacture
GB/T 12224-2005 JB/T 7747-2010
- 连接形式: Type of Connection:
对焊式管接头; 内螺纹连接
Butt Welded Connection; Female Connection
- 结构特征: Features of Structure:
锥面密封; 浮动阀瓣; 直角式通道
Conical Sealing; ReMoveable disc; Rectangular channel
- 阀门检验和试验: Inspection and Testing of Valves
GB/T 13927-2008
- 材料: Materials:
碳钢按GB/T 12228-2006的规定
Carbon Steel: GB/T 12228-2006
不锈钢GB/T 1220-2007的规定
Stainless Steel: GB/T 1220-2007

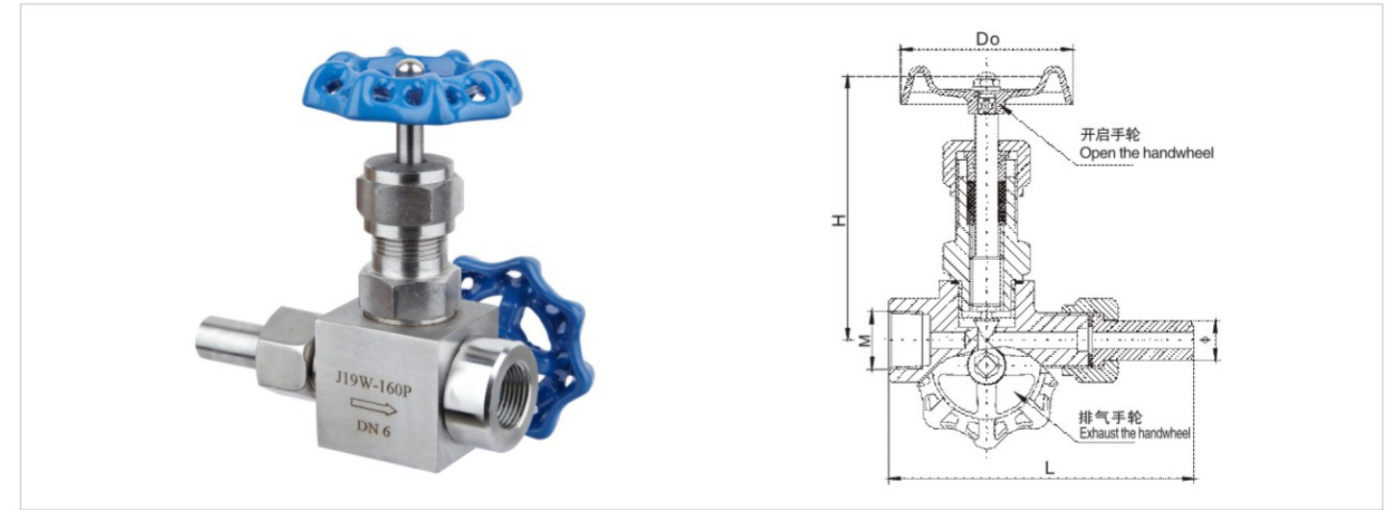
▲主要零件材料 Materials of Major Parts

型号 Model	阀体 Valve Body	接头 Joint	阀杆 Valve Rod	螺帽 Nut	填料 Stuffing
J24H-160	20#	20#	2Cr13	20#	柔性石墨 PTFE
J24W-160P	SS304	SS304	SS304	SS304	

▲主要外形尺寸 Major Overall Dimensions

规格 Specifications	M	φ	L1	L	H	Do	重量(kg) Weight
DN6	M20×1.5	φ14×4	70	70	85	63	0.6

▲结构形式 Structure



▲性能规范 Performance Specification

单位: MPa

试验项目 Test Item	压力值 Pressure value
公称压力 Nominal Pressure	16
壳体试验 Shell Test	24
密封试验 Seal Test	17.6
气压试验 Pneumatic Test	0.6
适用温度 Applicable Temperature	≤180℃
适用介质 Applicable Medium	水、蒸气、油品等 Water, Steam, Oils etc

▲应用规范 Application Specification

- 设计制造 Design & Manufacture
GB/T 12224-2005
JB/T 7747-2010
- 连接形式: Type of Connection:
对焊式管接头; 内螺纹连接
Butt-welding type pipe joint; Female Connection
- 结构特征: Features of Structure:
锥面密封; 活动阀瓣
Conical Sealing; ReMoveable Disc
- 阀门检验和试验: Inspection and Testing of Valves
GB/T 13927-2008
- 材料: Materials:
碳钢按GB/T 12228-2006的规定
Carbon Steel: GB/T 12228-2006
不锈钢GB/T 1220-2007的规定
Stainless Steel: GB/T 1220-2007

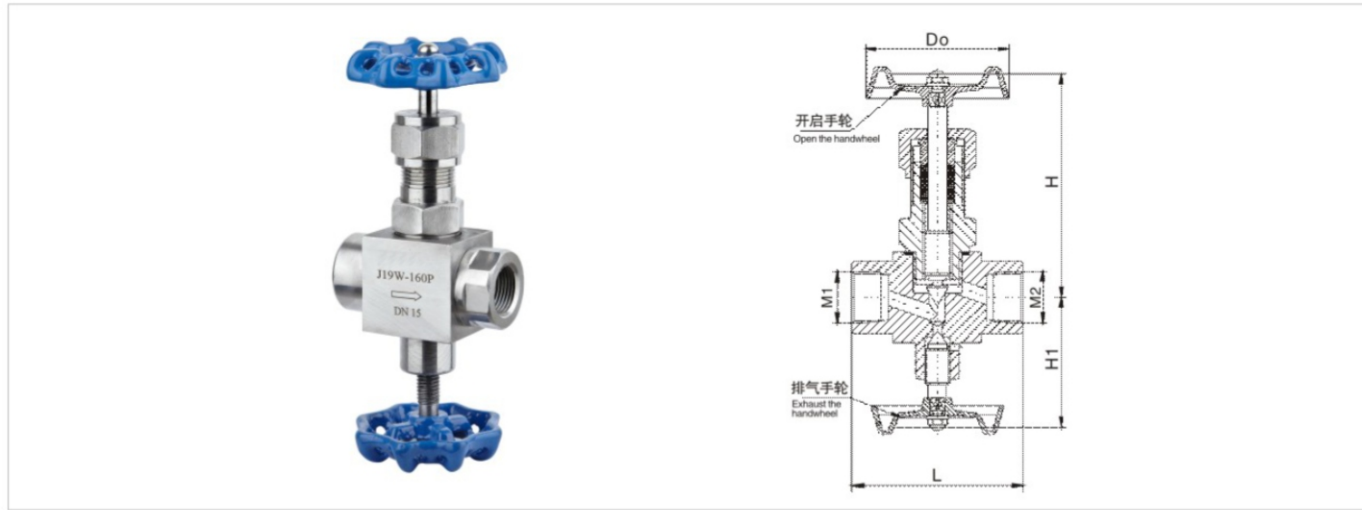
▲主要零件材料 Materials of Major Parts

型号 Model	阀体 Valve Body	接头 Joint	阀杆 Stem	螺帽 Nut	填料 Packing
J19H-160	20#	20#	2Cr13	20#	柔性石墨 PTFE
J19W-160P	SS304	SS304	SS304	SS304	

▲主要外形尺寸 Major Overall Dimensions

规格 Specifications	M	φ	L	H	Do	重量(kg) Weight
DN6	M20×1.5	φ14×4	108	94	63	0.9

▲结构形式 Structure



▲应用规范 Application Specification

- 1、设计制造 Design & Manufacture
GB/T 12224-2005
JB/T 7747-2010
- 2、连接形式: Type of Connection:
内螺纹连接 Female Connection
- 3、结构特征: Features of Structure:
锥面密封; 浮动阀瓣 Conical Sealing; ReMoveable Disc
- 4、阀门检验和试验: Inspection and Testing of Valves
GB/T 13927-2008
- 5、材料: Materials:
碳钢按GB/T 12228-2006的规定
Carbon Steel: GB/T 12228-2006
不锈钢GB/T 1220-2007的规定
Stainless Steel: GB/T 1220-2007

▲性能规范 Performance Specification

单位: MPa

试验项目 Test Item	压力值 Pressure value
公称压力 Nominal Pressure	16
壳体试验 Shell Test	24
密封试验 Seal Test	17.6
气压试验 Pneumatic Test	0.6
适用温度 Applicable Temperature	≤ 180℃
适用介质 Applicable Medium	水、蒸气、油品等 Water, Steam, Oils etc

▲主要零件材料 Materials of Major Parts

型号 Model	阀体 Valve Body	接头 Joint	阀杆 Stem	螺帽 Nut	填料 Packing
J19H-160	20#	20#	2Cr13	20#	柔性石墨 PTFE
J19W-160P	SS304	SS304	SS304	SS304	

▲主要外形尺寸 Major Overall Dimensions

规格 Specifications	M1	M2	L	H1	H	Do	重量(kg) Weight
DN6	G1/2	M20 × 1.5	70	68	93	63	0.85

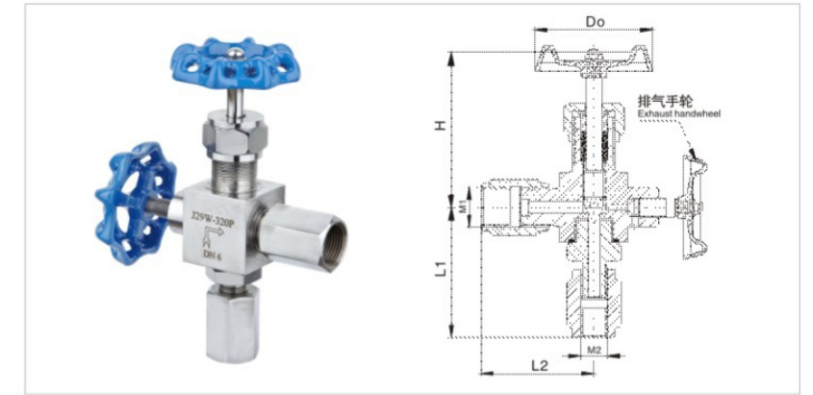
▲J29W-320 结构形式 Structure

J29型压力计用截止阀, 广泛用于石油、气体、蒸汽水氮氢混合等介质管路上, 作测试压力的启闭装置, 它具有连接牢固, 密封性能良好, 并有排污性能等特点。

J29 pressure gauge globe valve is widely used in the pipeline the medium of which constitutes of oil, gas or steam-nitrogen-hydrogen mixture, etc. As the opening and closing device of pressure tests, it has features like tight connection, high sealing property and pollution discharge.

▲应用规范 Application Specification

- 1、设计制造 Design & Manufacture
GB/T 12224-2005 JB/T 7747-2010
- 2、连接形式: Type of Connection:
管接头内螺纹连接; 法兰连接
Female connection of pipe joint; Flanged joint
- 3、结构特征: Features of Structure:
锥面密封; 浮动阀瓣
Cone sealing; ReMoveable Disc
- 4、阀门检验和试验: Inspection and Testing of Valves
GB/T 13927-2008
- 5、材料: Materials:
碳钢按GB/T 12228-2006的规定
Carbon Steel: GB/T 12228-2006
不锈钢GB/T 1220-2007的规定
Stainless Steel: GB/T 1220-2007



▲主要外形尺寸 Major Overall Dimensions

规格 Specifications	M1	M2	L1	L2	H	Do	重量(kg) Weight
DN6	M20 × 1.5	M14 × 1.5	60	56	86	63	0.95

▲J49H-320 结构形式 Structure

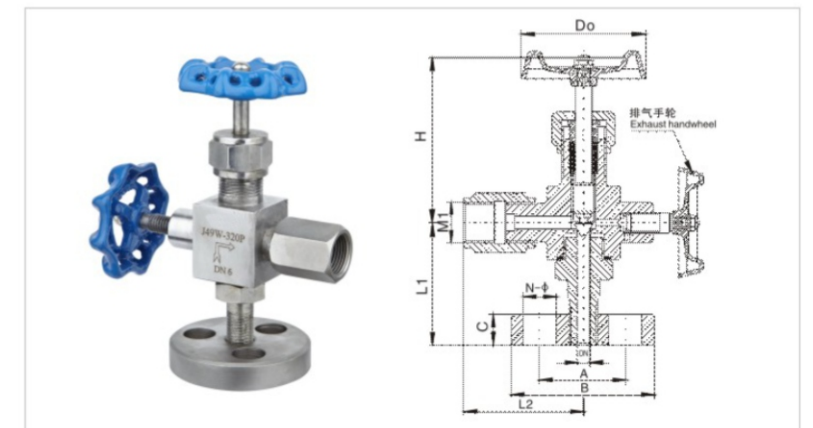
J49型压力计用截止阀的用途, 工作原理技术性能和J29型压力计用截止阀相同, 其结构基本相同。所不同的只是连接形式不同, 该阀一端用焊接连接另一端则用法兰连接。

The application, operating principle and technical characteristic of J49 pressure gauge stop valve is the same as J29. The structure of them is basically the same except for the type of connection, this valve uses welding joint at one side and flanged joint at the other.

▲性能规范 Performance Specification

单位: MPa

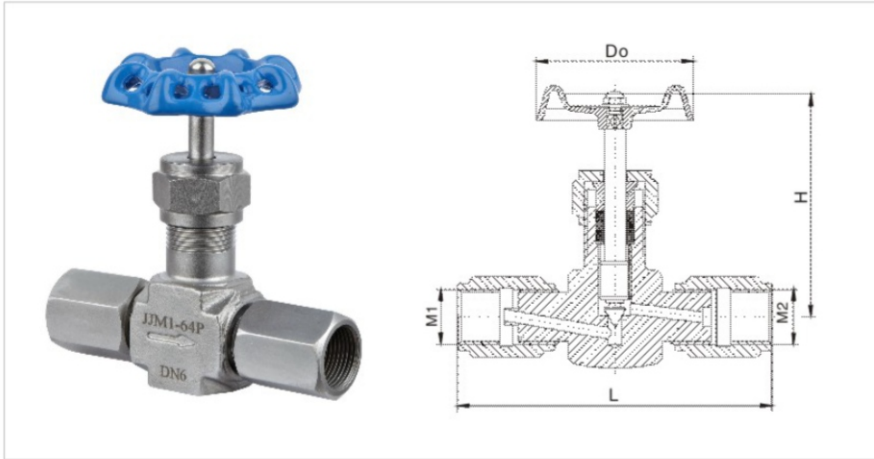
试验项目 Test Item	压力值 Pressure value
公称压力 Nominal Pressure	32
壳体试验 Shell Test	48
密封试验 Seal Test	35.2
气压试验 Pneumatic Test	0.6
适用温度 Applicable Temperature	≤ 180℃
适用介质 Applicable Medium	水、蒸气、油品等 Water, Steam, Oils etc



▲主要外形尺寸 Major Overall Dimensions

规格 Specifications	M1	A	B	C	N-φ	L1	L2	H	Do	重量(kg) Weight
DN6	M20 × 1.5	42	70	16	3-φ16	62	60	86	63	1.2

▲JJM1-64P 结构形式 Structure



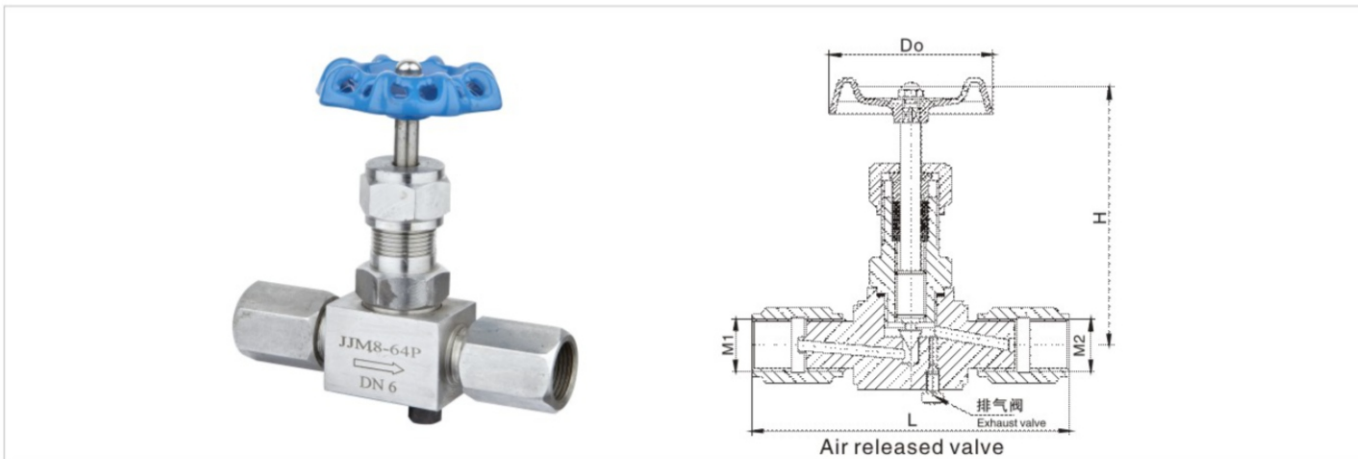
▲应用规范 Application Specification

- 1、设计制造 Design & Manufacture
GB/T 12224-2005 JB/ T 7747-2010
- 2、连接形式: Type of Connection:
管接头内螺纹连接
Female connection of pipe joint
- 3、结构特征: Features of Structure:
锥面密封; 活动阀瓣
Conical Sealing; ReMoveable Disc
- 4、阀门检验和试验:
Inspection and Testing of Valves
GB/T 13927-2008
- 5、材料: Materials:
碳钢按GB/T 12228-2006的规定
Carbon Steel: GB/T 12228-2006
不锈钢按GB/T 12220-2007的规定
Stainless Steel: GB/T 12220-2007

▲主要外形尺寸 Major Overall Dimensions

规格 Specifications	M1	M2	L	H	Do	重量(kg) Weight
DN6	M20 × 1.5	M20 × 1.5	112	84	63	0.6

▲JJM8-64P 结构形式 Structure



▲主要外形尺寸 Major Overall Dimensions

规格 Specifications	M1	M2	L	H	Do	重量(kg) Weight
DN6	M20 × 1.5	M20 × 1.5	120	93	63	0.9

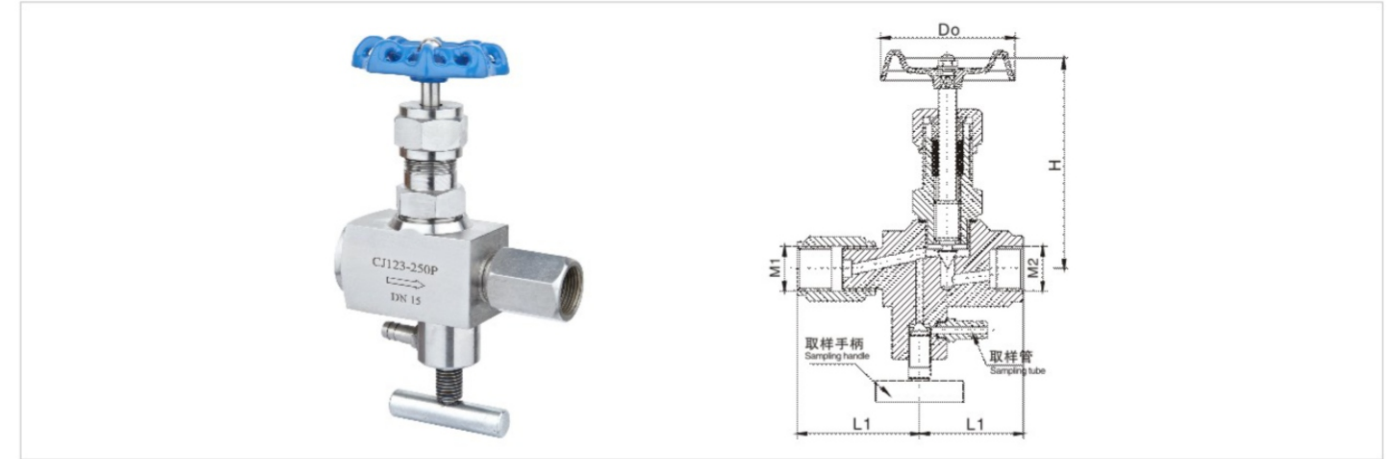
注: JJM1采用热锻压阀体
JJM8比JJM1多一个排气阀

Note: JJM1 adopts thermal forging body
JJM8 is with one more air release valve compared with JJM1

▲性能规范 Performance Specification 单位: MPa

试验项目 Test Item	压力值 Pressure value
公称压力 Nominal Pressure	6.4
壳体试验 Shell Test	9.6
密封试验 Seal Test	7.0
气压试验 Pneumatic Test	0.6
适用温度 Applicable Temperature	≤ 180℃
适用介质 Applicable Medium	水、蒸气、油品等 Water, Steam, Oils etc

▲结构形式 Structure



▲性能规范 Performance Specification

单位: MPa

试验项目 Test Item	压力值 Pressure value
公称压力 Nominal Pressure	25
壳体试验 Shell Test	37.5
密封试验 Seal Test	27.5
气压试验 Pneumatic Test	0.6
适用温度 Applicable Temperature	≤ 180℃
适用介质 Applicable Medium	水、蒸气、油品等 Water, Steam, Oils etc

▲应用规范 Application Specification

- 1、设计制造 Design & Manufacture
GB/T 12224-2005
JB/ T 7747-2010
- 2、连接形式: Type of Connection:
管接头内螺纹连接 Female connection of pipe joint
- 3、结构特征: Features of Structure:
锥面密封; 活动阀瓣 Conical Sealing; ReMoveable Disc
- 4、阀门检验和试验: Inspection and Testing of Valves
GB/T 13927-2008
- 5、材料: Materials:
碳钢按GB/T 12228-2006的规定
Carbon Steel: GB/T 12228-2006
不锈钢按GB/T 12220-2007的规定
Stainless Steel: GB/T 12220-2007

▲主要零件材料 Materials of Major Parts

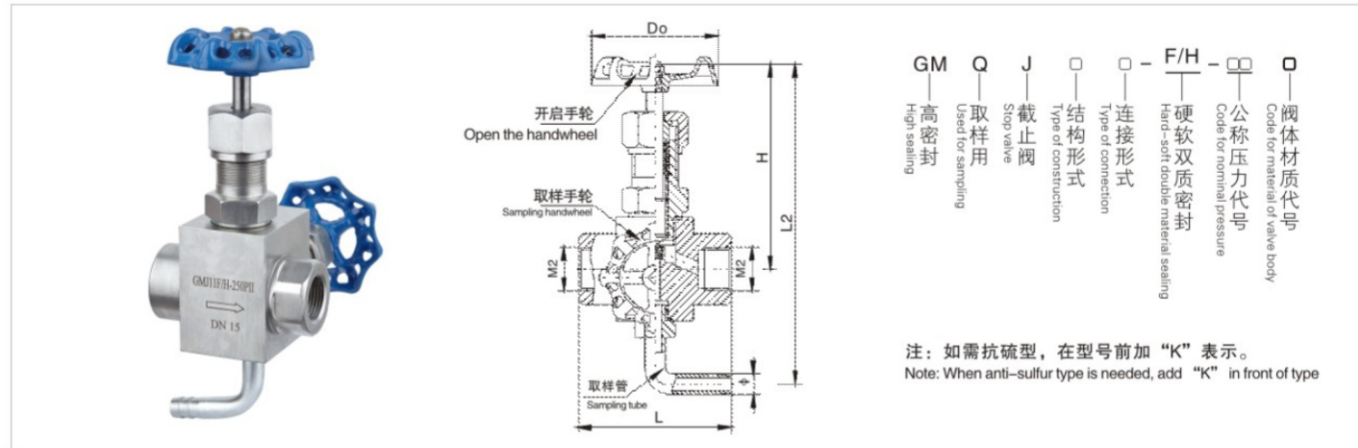
型号 Model	阀体 Valve Body	接头 Joint	阀杆 Stem	螺帽 Nut	填料 Packing
CJ123-64	20#	20#	2Cr13	20#	柔性石墨 PTFE
CJ123-64P	SS304	SS304	SS304	SS304	

▲主要外形尺寸 Major Overall Dimensions

规格 Specifications	M1	M2	L1	L2	H	Do	重量(kg) Weight
DN6	M20 × 1.5	G1/2	50	46	93	63	1.05

▲结构形式 Structure

- 1、取样用截止阀通过外加取样排放装置，保证了管路中压力表的正确安装使用，达到了放空、取样的目的。具有一阀两用的功能。
 - 2、该阀密封结构为硬软双质密封设计。密封面避开了介质的直接冲刷。
 - 3、本阀广泛用于油田、化工、轻工、电力。冶金等装置的自控系统中。
1. Stop valve used for sampling guarantees the proper installation and operation of pressure gauge in pipeline by adding sample discharge device outside which meets the purpose of evacuation and sampling.
 2. The leak-proof structure of this valve employs hard-soft double material sealing. The sealing face avoids the direct scour of medium.
 3. This valve is widely used in the autonomous system of oil filed, chemical industry, light industry, electricity and metallurgy.



▲应用规范 Application Specification

- 1、设计制造 Design & Manufacture
GB/T 12224-2005 JB/ T 7747-2010
- 2、连接形式：Type of Connection:
内螺纹连接 Female Connection
- 3、结构特征：Features of Structure:
硬软双密封副；活动阀瓣；锥面硬密封
Hard-soft double sealing pair; ReMoveable Disc; Cone hard sealing
- 4、阀门检验和试验：Inspection and Testing of Valves
GB/T 13927-2008
- 5、材料：Materials:
碳钢按GB/T 12228-2006的规定
Carbon Steel: GB/T 12228-2006
不锈钢按GB/T 1220-2007的规定
Stainless Steel: GB/T 1220-2007

▲性能规范 Performance Specification

单位：MPa

试验项目 Test Item	压力值 Pressure value
公称压力 Nominal Pressure	25
壳体试验 Shell Test	37.5
密封试验 Seal Test	27.5
气压试验 Pneumatic Test	0.6
适用温度 Applicable Temperature	≤ 180℃
适用介质 Applicable Medium	水、蒸气、油品等 Water, Vapor, Oils etc

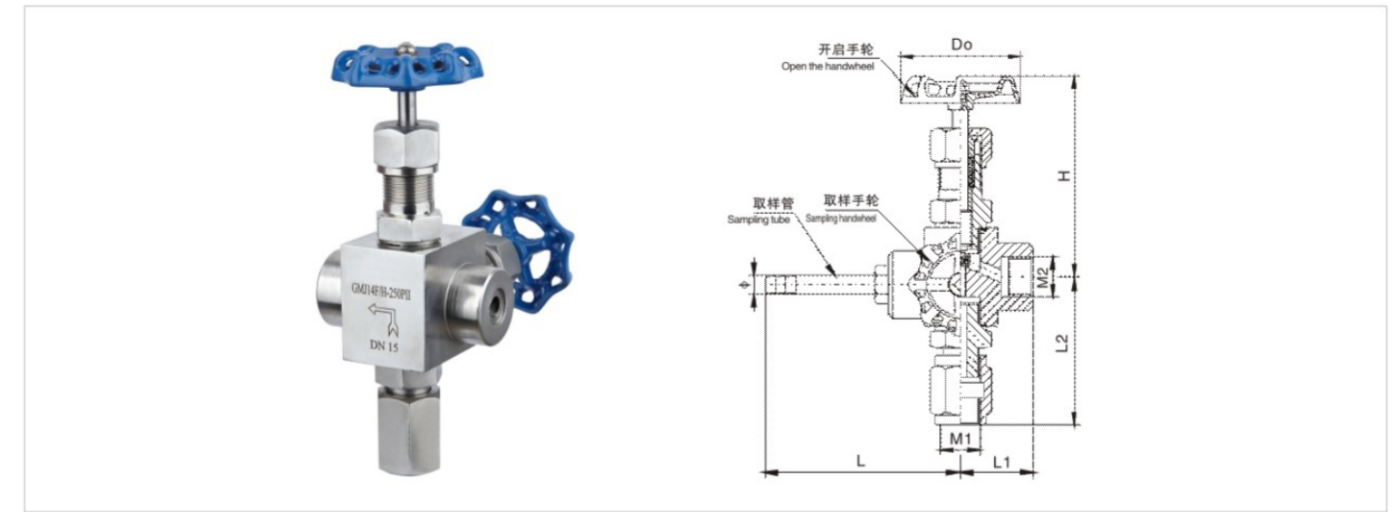
▲主要零件材料 Materials of Major Parts

型号 Model	阀体 Valve Body	接头 Joint	阀杆 Stem	螺帽 Nut	填料 Packing
GMJ11F/H-250 II	20#	20#	2Cr13	20#	柔性石墨 PTFE
GMJ11F/H-250P II	SS304	SS304	SS304	SS304	

▲主要外形尺寸 Major Overall Dimensions

规格 Specifications	M1	M2	φ	L	L2	H	Do	重量(kg) Weight
DN15	G-1/2"	M20x1.5	φ10	72	172	110	63	1.4

▲结构形式 Structure



▲性能规范 Performance Specification

单位：MPa

试验项目 Test Item	压力值 Pressure value
公称压力 Nominal Pressure	25
壳体试验 Shell Test	37.5
密封试验 Seal Test	27.5
气压试验 Pneumatic Test	0.6
适用温度 Applicable Temperature	≤ 180℃
适用介质 Applicable Medium	水、蒸气、油品等 Water, Steam, Oils etc

▲应用规范 Application Specification

- 1、设计制造 Design & Manufacture
GB/T 12224-2005
JB/ T 7747-2010
- 2、连接形式：Type of Connection:
管接头内螺纹连接 Female connection of pipe joint
- 3、结构特征：Features of Structure:
硬软双密封副；活动阀瓣；直角式通道；锥面硬密封
Hard-soft double sealing pair; ReMoveable Disc;
Rectangular channel; Cone hard sealing
- 4、阀门检验和试验：Inspection and Testing of Valves
GB/T 13927-2008
- 5、材料：Materials:
碳钢按GB/T 12228-2006的规定
Carbon Steel: GB/T 12228-2006
不锈钢按GB/T 1220-2007的规定
Stainless Steel: GB/T 1220-2007

▲主要零件材料 Materials of Major Parts

型号 Model	阀体 Valve Body	接头 Joint	阀杆 Stem	螺帽 Nut	填料 Packing
GMJ14F/H-250 II	20#	20#	2Cr13	20#	柔性石墨 PTFE
GMJ14F/H-250P II	SS304	SS304	SS304	SS304	

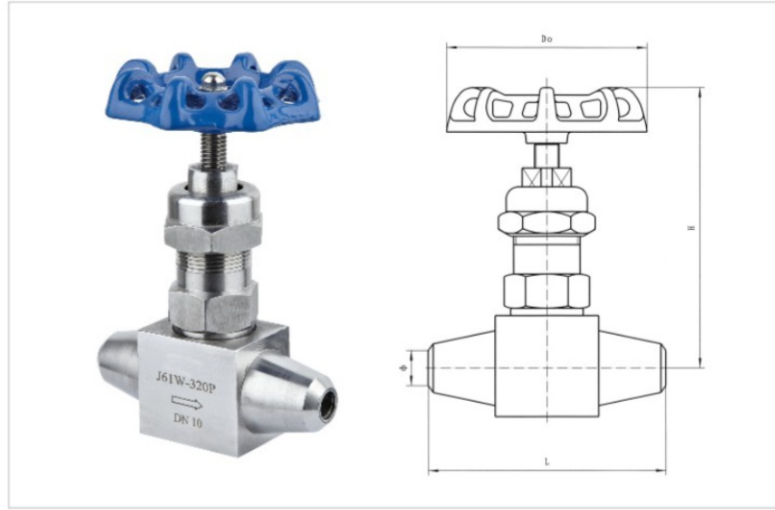
▲主要外形尺寸 Major Overall Dimensions

规格 Specifications	M1	M2	φ	L	L1	L2	H	Do	重量(kg) Weight
DN6	G1/2	M20 × 1.5	φ10	100	37	73	108	63	1.65

注：型号编制与结构说明参考GMJ11F/H-250 II 取样阀
Note: Model establishment and structure specification refer to GMJ11F/H-250 II sampling valve

▲结构形式 Structure

- 1、本阀采用上螺纹阀杆结构，避免了介质与阀杆螺纹的直接接触。
 - 2、采用硬质钴铬钨合金球阀瓣，大大提高了阀瓣在高温工况的材质硬度，且介质冲刷时阀瓣做三维旋转，显著提高了阀瓣抗苛刻工况冲刷的性能，解决了密封面内漏问题。
 - 3、此阀主要应用电站一次门蒸汽和热循环水等处。
1. This valve adopts outside screw stem structure that could prevent direct contact between medium and screw stem.
2. Using rigid cobalt-chrome-wolfram alloy ball valve which has greatly increased material hardness under high temperature working condition, and the valve takes a 3D rotation while scoured by medium which significantly improves the valve performance against erosion under rigor working condition and further solves the problem of inner leakage of sealing surface.
3. This valve is mainly applied to steam and heated circulating water of first gate in the power station and so forth.



▲应用规范 Application Specification

- 1、设计制造 Design & Manufacture
GB/T 12224-2005 JB/T 3595-2002 JB/T 7747-2010
- 2、连接形式: Type of Connection:
对焊式连接 Butt-welding type joint
- 3、结构特征: Features of Structure:
锥面活动阀瓣; 球面密封; 上阀杆螺纹
ReMoveable Disc; Spherical sealing; Outside screw stem
- 4、阀门检验和试验: Inspection and Testing of Valves
JB/T9092-1999 JB/T 13927-2008
- 5、材料: Materials:
碳钢按GB/T 12228-2006的规定
Carbon Steel: GB/T 12228-2006
不锈钢GB/T 1220-2007的规定
Stainless Steel: GB/T 1220-2007

▲性能规范 Performance Specification

单位: MPa

试验项目 Test Item	压力值 Pressure value
公称压力 Nominal Pressure	32
壳体试验 Shell Test	48
密封试验 Seal Test	35.2
气压试验 Pneumatic Test	0.6
适用温度 Applicable Temperature	≤450℃
适用介质 Applicable Medium	水、蒸气、油品等 Water, Steam, Oils etc

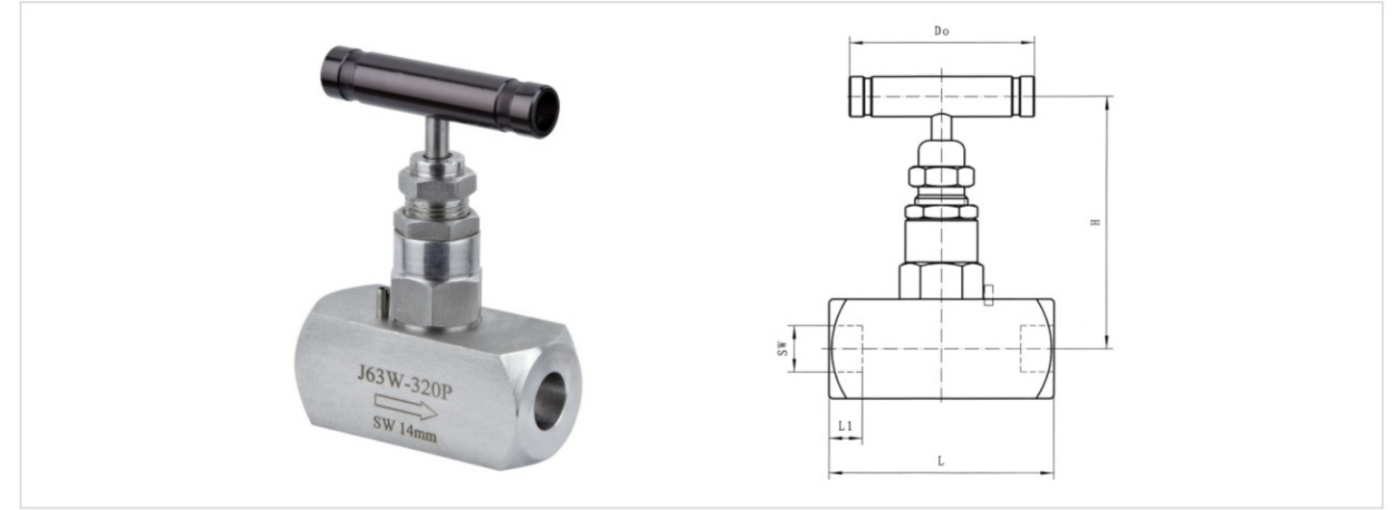
▲主要零件材料 Materials of Major Parts

型号 Model	阀体 Valve Body	接头 Joint	阀杆 Stem	螺帽 Nut	填料 Packing
J61H-320	20#	20#	2Cr13	20#	柔性石墨 PTFE
J61W-320P	SS304	SS304	SS304	SS304	
J61Y-320V	12CrMoV	12CrMoV	12CrMoV	20#	

▲主要外形尺寸 Major Overall Dimensions

规格 Specifications	φ	L	H	Do	重量(kg) Weight
DN6	φ 10	80	93	63	0.65
DN10	φ 14	96	110	78	1.0
DN15	φ 16	108	118	78	1.2
DN20	φ 20	117	134	100	1.75
DN25	φ 24	145	160	128	3.2

▲结构形式 Structure



▲性能规范 Performance Specification

单位: MPa

试验项目 Test Item	压力值 Pressure value
公称压力 Nominal Pressure	32
壳体试验 Shell Test	48
密封试验 Seal Test	35.2
气压试验 Pneumatic Test	0.6
适用温度 Applicable Temperature	≤450℃
适用介质 Applicable Medium	水、蒸气、油品等 Water, Steam, Oils etc

▲应用规范 Application Specification

- 1、设计制造 Design & Manufacture
GB/T 12224-2005 JB/T 3595-2002 JB/T 7747-2010
- 2、连接形式: Type of Connection:
对焊式连接 Butt-welding type joint
- 3、结构特征: Features of Structure:
锥面活动阀瓣; 上阀杆螺纹; 带散热片
ReMoveable Disc; Outside screw stem; With cooling fin
- 4、阀门检验和试验: Inspection and Testing of Valves
JB/T9092-1999 JB/T 13927-2008
- 5、材料: Materials:
碳钢按GB/T 12228-2006的规定
Carbon Steel: GB/T 12228-2006
不锈钢GB/T 1220-2007的规定
Stainless Steel: GB/T 1220-2007

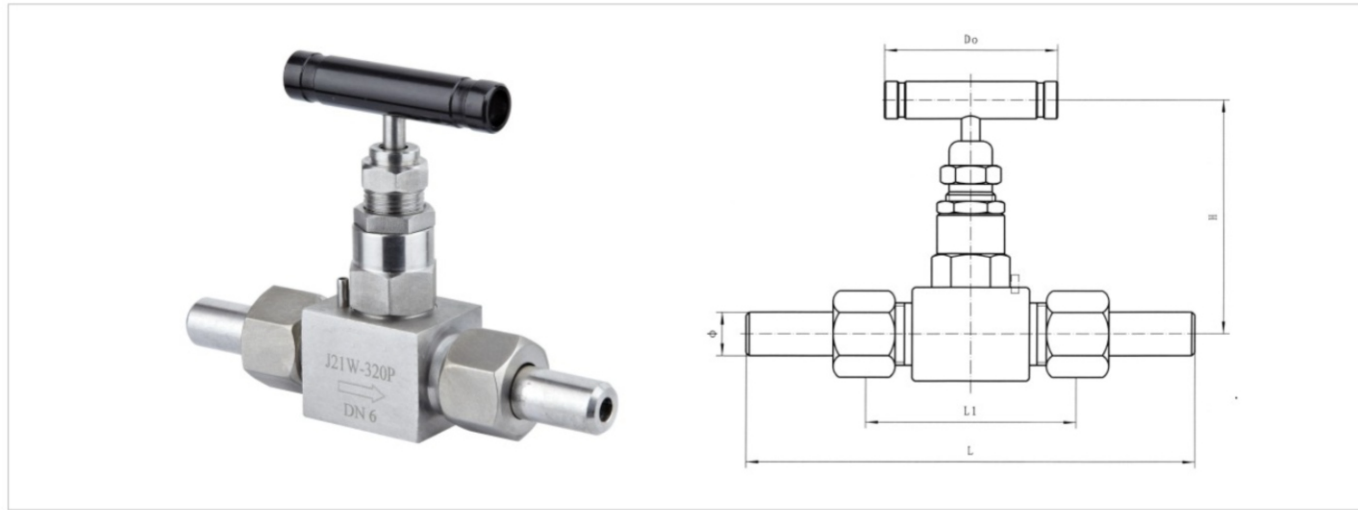
▲主要零件材料 Materials of Major Parts

型号 Model	阀体 Valve Body	接头 Joint	阀杆 Stem	螺帽 Nut	填料 Packing
J61H-160	20#	20#	2Cr13	20#	柔性石墨 PTFE
J61W-160P	SS304	SS304	SS304	SS304	
J61Y-160V	12CrMoV	12CrMoV	12CrMoV	20#	

▲主要外形尺寸 Major Overall Dimensions

规格 Specifications	SW	L1	L	H	Do	重量(kg) Weight
DN6	φ 14	10	68	78	63	0.5
DN10	φ 16	10	68	78	63	0.5
DN15	φ 22	10	80	95	80	1.0
DN20	φ 28	13	90	100	90	1.4

▲结构形式 Structure



▲应用规范 Application Specification

- 1、设计制造 Design & Manufacture
GB/T 12224-2005 JB/T 7747-2010
- 2、连接形式: Type of Connection:
对焊式管接头; 内螺纹连接
Butt Welded Connection; Female Connection
- 3、结构特征: Features of Structure:
锥面密封; 活动阀瓣; 阀瓣、阀杆分段提升式
Conical Sealing; ReMoveable Disc;
Disc and stem sectional lifting type
- 4、阀门检验和试验: Inspection and Testing of Valves
GB/T 13927-2008
- 5、材料: Materials:
碳钢按GB/T 12228-2006的规定
Carbon Steel: GB/T 12228-2006
不锈钢GB/T 1220-2007的规定
Stainless Steel: GB/T 1220-2007

▲性能规范 Performance Specification

单位: MPa

试验项目 Test Item	压力值 Pressure value
公称压力 Nominal Pressure	16
壳体试验 Shell Test	24
密封试验 Seal Test	17.6
气压试验 Pneumatic Test	0.6
适用温度 Applicable Temperature	≤450℃
适用介质 Applicable Medium	水、蒸气、油品等 Water, Steam, Oils etc

▲主要零件材料 Materials of Major Parts

型号 Model	阀体 Valve Body	接头 Joint	阀杆 Stem	螺帽 Nut	填料 Packing
J21W-320P III	SS304	SS304	SS304	SS304	柔性石墨 PTFE
J21W-320R III	SS304	SS316	SS316	SS316	

▲主要外形尺寸 Major Overall Dimensions

规格 Specifications	M	φ	L1	L	H	Do	重量(kg) Weight
DN6	M20 × 1.5	φ 14 × 4	68	135	78	63	0.6
DN10	M20 × 1.5	φ 16 × 4	60	135	78	63	0.6

注: "III" 不是材料代号, 代表第三次结构改进
Note: "III" is not material code, means the third structure improvement

▲结构形式 Structure



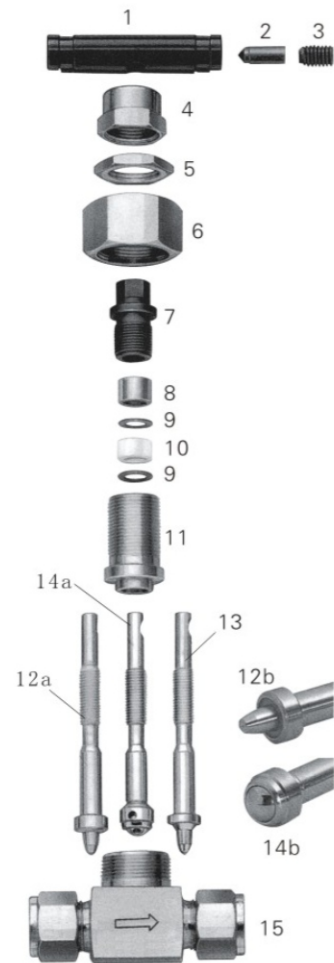
- 1、非旋转头阀瓣 (锥体、球体, 球体为钴基合金钢球) 结构, 使得阀瓣与阀体密封面之间无旋转磨损, 仅存上下运动。密封严密性强, 使用寿命长。
1.Non rotato structure to avoid abrasion between Disc and sealing, for only up-down floating.Strong seal,enlong it's using life.
- 2、阀体与接头 (阀盖) 采用斜面硬对硬直接密封, 保证有好的外密封。
2.Slanting surface hard seal between body snd Disc,to ersure the best seal.
- 3、阀杆填料位于阀杆螺纹的下方, 以防止介质与阀杆螺纹接触, 确保阀杆螺纹得到良好的润滑。
3.Stem thread upon stem packing to separate the medium and stem,to ensure the lubrating stem screw.
- 4、连接形式: 螺纹连接、承插焊连接、双卡套连接。
4.Connection way : Thread.SW.Double ferrule
- 5、此阀应用国内大中电站 (30万千瓦以上机组) 以国产代进口, 降低运行成本, 提高经济效益。
5.This type of valve can be instead of foreign product used in Machine with.300000 kilowatrs to save the cost and improve efficiency.

注: 承插焊连接为一次门选用阀门, 卡套式连接为二次门选用阀门。
Mark: SW connection is for one selection valve,fronle connection is for twice seletion valve.

▲概述 Summarize

卡套式连接阀门其结构由卡套螺母、双卡套和阀体构成，双卡套在阀体和外套螺母的外力作用下，产生径向塑性变形、卡紧钢管，并起密封作用。卡套式连接具有连接可靠、气密性好、耐高压、抗振动、安装、检修方便等优点。

Valves with Ferrule connection, its structure consists of connecting the valve sleeve nut, double-ferrule and valve body, double ferrule sets under the force from the body and the male thread process, radial plastic deformation, clamping pipe and make sure the seal function. Ferrule connection is of firmly connected, tightness air seal, bare high pressure, anti-vibration, and easy installation and maintenance

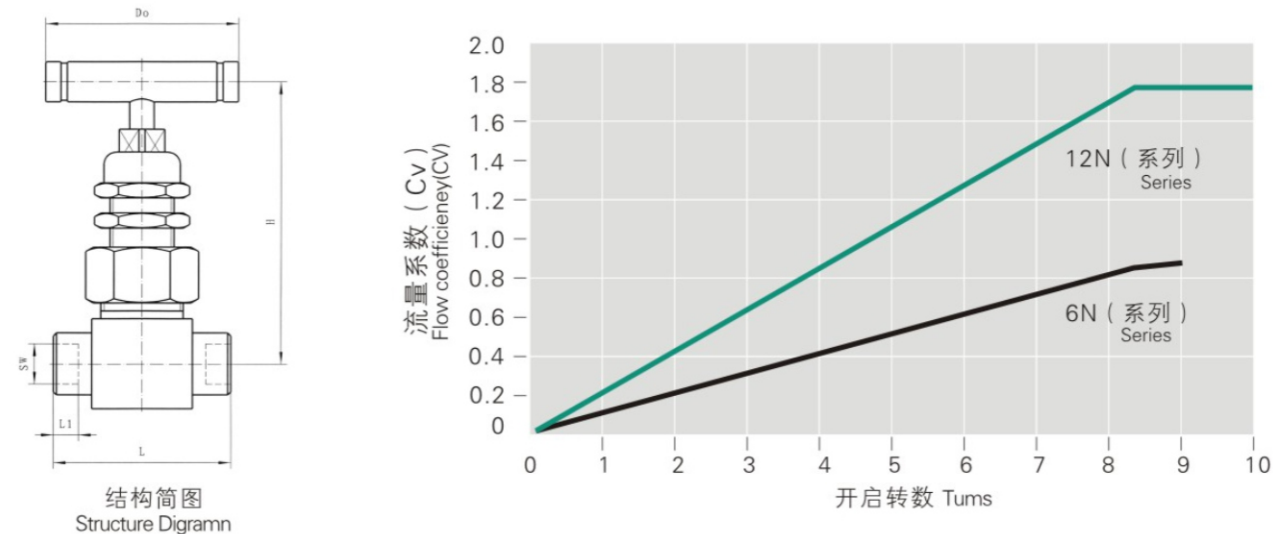


▲主要零件及材质表 Main parts and material

零件	阀体材料 Body material	
	SS316不锈钢 Stainless steel	A105碳钢 Carbon steel
1 手柄 Handle	阳极化铝 Aluminum	
2 固定 Fixed screw	35#	
3 螺钉		
4 螺帽 Nut	SS316	A105
5 板装螺帽 Nut	SS316	A105
6 锁紧螺帽 Nut	SS316	A105
7 压盖螺栓 Gland bolt	SS316	A105
8 压环 Gland ring	SS316	A105
9 垫片 Gasket	SS316	2Cr13
10 填料 Packing	柔性石墨/PTFE/碳纤维 Graphite/Carbon fibre	
11 接头 Joint	SS316	2Cr13
12 节流型阀杆 Throttle stem	SS316	2Cr13
13 调节型阀杆 Adjusting stem	SS316	2Cr13
14 球型阀杆 Ball type stem	SS316	2Cr13
15 双卡套、(螺母) Double ferrule	SS316	SS316
润滑剂 Lubricant	二硫化钼 Molybdenum disulfide	

注: 可根据用户要求确定材质。
Marl: Materials as per user's requirements.

▲阀门流量系数图 Valve flow coefficient Diagram



▲主要外形尺寸 Major Overall Dimensions

规格 Specifications	φ	L1	L	H	Do	重量(kg) Weight
DN6	12.7	10	57-60	90	63	1
DN10	14	10	57-60	90	63	1

▲压力-温度等级 Pressure-temperature level

承插焊接: 6000Psi@1200° F 10000Psi@1000° F
SW connection
卡套式连接: 6000Psi@1000° F
Ferrule connection

▲所有阀门出厂前均进行严格的水压、气密性测试

All valves are under strict water pressure testing and air sealing testing before delivery. 工厂试验遵照ANSI B 16.34/API 598进行水压测试 (1.5倍额定压力)、气密性测试 (1.1倍额定压力), 实验时间15秒~2分钟。
Valve testing as per ANSI B 16.34/API 598 water pressure testing (multiply 1.5 time over set pressure), air sealing testing (multiply 1.1 times over set pressure), testing takes 15 seconds to 2 minntes.

▲型号说明 Modle Indication

a、材质: SS-316、321、304不锈钢 CS-A105碳钢
a、Material: SS-316、321、304 CS-A105Carbon steel
b、内通径: 6N系列----6mm 12N系列----11mm
b、Internal bore: 6N Series----6mm 12N Series----11mm
c、阀瓣类型: R----调节型 B----球型 V----V型 (锥型)
c、Disc type: R----Removeable B----Ball type V----V (cone)
d、接口连接形式: S----双卡套 SW----承插焊 F----NPT内螺纹 M----NPT外螺纹
d、Connection: S----Double ferrule SW----Socket weld F----NPT Female thread M----NPT Male thread
f、接口尺寸: φ 25mm 1" φ 16mm 3/4" φ 14mm 1/2" φ 12mm 1/4"
f、Size: φ 25mm 1" φ 16mm 3/4" φ 14mm 1/2" φ 12mm 1/4"

▲安装、使用注意事项 Installation and using Attention :

- a. 请按阀体上箭头所示介质流向将阀门安装在管路上。
- b. 选择产品时, 必需考虑总的系统设计以保证安全和性能上的无故障。
产品功能, 材料兼容性, 充分的额定值, 正常的安装、使用和维护是系统设计者和使用者的责任。
a. Installing the valve on the pipe according to the flow direction on the valve body.
b. Consider the whole sistem design when choose the valve; to make sure it's available for safety and performance.

针阀 Needle valve



NV SERIES

- ▲不可旋转球
- ▲用PTFE填料
- ▲压力可达到10000Psi (689bar)
- ▲最高温度达1200° F (648° C) 在石墨填料下
- ▲Non-rotating ball-nose
- ▲With packing PTFE
- ▲Pressures to 10000psi(689 bar)
- ▲Max.temp.1200° F(648° C)with packing grafoil.

SS - 6 NV F 8 - M 8

材料代号MATERIAL
SS:不锈钢 Stainless steel
CS:碳钢 Carbon steel

标准孔径ORIFICE DIAMETER
3:Orifice 4.5mm
6:Orifice 5.5mm
12:Orifice 9.0mm

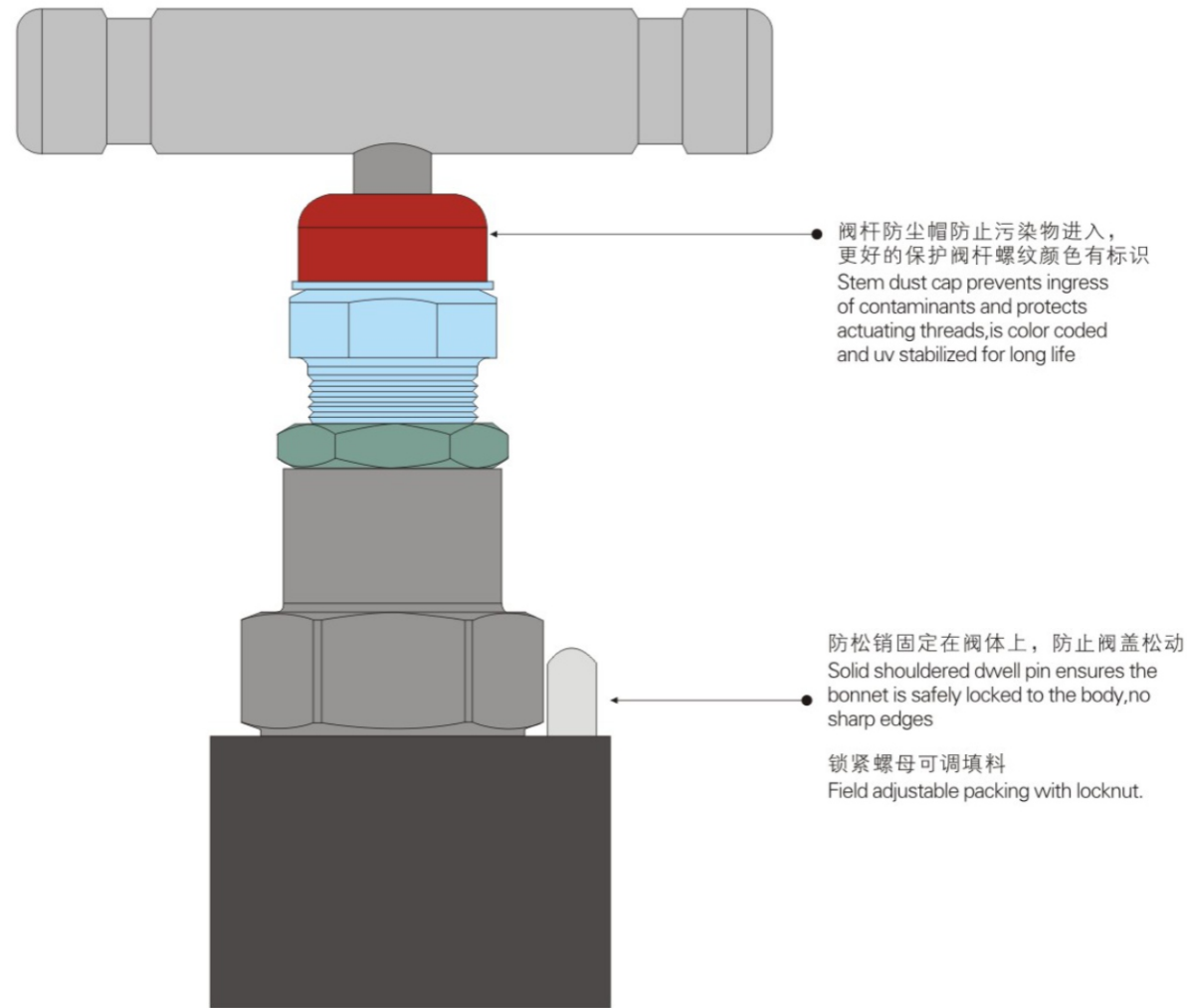
类型代号STRUCTURE TYPE
NV:针阀needle vavle
V-V型阀座pattern stem

连接方式INSTRUMENT/OUTLET CONNECTION TYPE
F=内螺纹female
s=承插焊socket weld

连接尺寸PROCESS CONNECTION SIZE
4=1/4"NPT Tube diameter: Φ6mm
6=3/8"NPT Φ8mm
8=1/2"NPT Φ10mm
10=3/4"NPT Φ12mm
12=1"NPT Φ14mm

连接方式INSTRUMENT/OUTLET CONNECTION TYPE
M=外螺纹Male

连接尺寸PROCESS CONNECTION SIZE
4=1/4"NPT
6=3/8"NPT
8=1/2"NPT
10=3/4"NPT
12=1"NPT

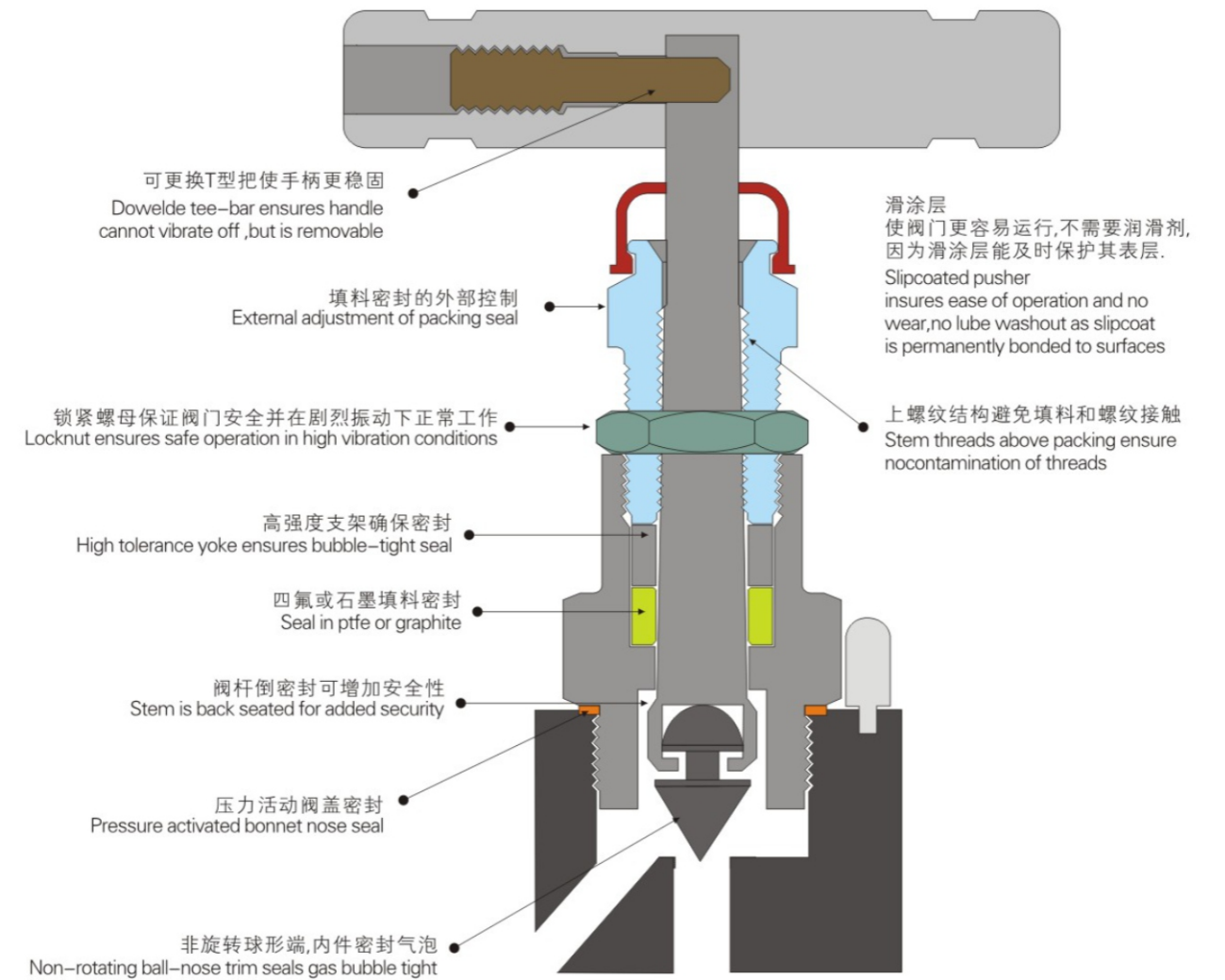


独立阀盖, 平行安装阀盖或锁紧手柄可供选择
Union bonnet, panel mount bonnet or lock-able handle optional

阀杆与填料接触处经抛光处理保证良好的密封性并增加使用寿命
Shaft polished at packing interface to ensure long life and bubble tight seal

纯石墨密封可保证阀门在高温运作下, 阀门性能跟使用PTFE填料的阀门一样
Pure graphite is used to ensure that the operation of the high temperature valve performs equally as well as the PTFE packed valve

NPT螺纹依据ANSI B1.20.1标准确保良好通用性跟互换性
Sharp, full profile NPT threads conforming to ANSI B1.20.1 ensure ease of make up, reduce chance of thread galling



不可旋转球端内件连接于阀座, 而非通过阀杆密封, 不起泡密封适用于所有的设备, 阀座密封和轴密封
A non-rotating ball-nose trim articulates at the seat, not through the stem seal, ensuring a bubble-tight seal for all applications at the trim/seat and shaft/seal interfaces.

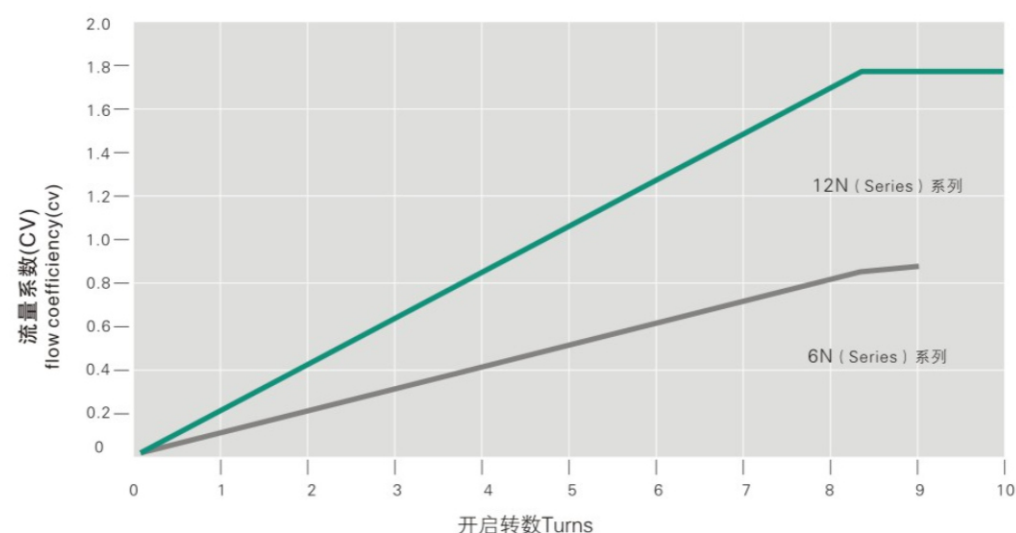
可供客户选择的材质包括SS316, SS316L到NACE MR-01-75, 蒙乃尔, 哈氏合金C276或碳钢
Material of construction is client selectable and includes 316, 316L to NACE MR-01-75, monel 400, hastelloy C276 or carbon steel.

SS316T型手柄确保低扭矩运行
Full size tee-bar handle in 316 ensures low torque operation and is available in tamper-proof or lockable variants.

▲设计特性 Design features

- ★紧凑而轻便 Compact and lightweight.
- ★二段式阀杆阀尖为17-4PH 无回旋转设计, 从而实现快捷密封且延长使用寿命 2 piece non-rotating hardened(17-4ph)tips for fast seal and long service life.
- ★螺纹下的密封填料可以防止螺纹被介质锁腐蚀 Packing seal below actuating threads to prevent thread contamination by the process medium.
- ★温度范围-15℃~170℃ Temperature rating-15℃ to 170℃
- ★可更换填料延长阀门整体使用寿命 Fxexible packing for replacement can extend field life further.
- ★所有零部件材质都是可追溯的 Full material traceability of main components.
- ★100%气压测试 100% hydrostatic testing.
- ★倒密封阀杆可延长填料使用时间 Back sealing stem to extend packing life.

▲阀门流量系数图 Valve Flow Coefficiency Diagram



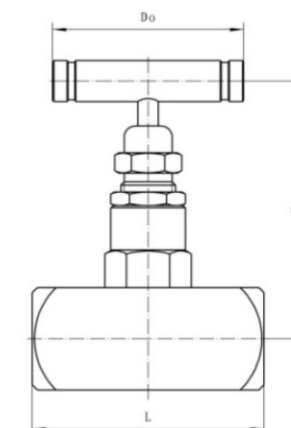
▲主要零件及材质表 Components Material

零件Part	阀体材质 BODY MATERIAL	
	SS 316	A105 CS
手柄 Handle		SS304
锁紧螺丝 Lock screw		SS304
帽 Cap		
填料压盖螺栓 Gland bolt	SS316	A105
密封环 Gland ring	SS316	A105
包装座位 Packing seat	SS316	A105
包装 Packing	SS316	2Cr13
体垫片 Body gasket	弹性石墨 Flexible graphite/PTFE /碳纤维 Carbon fiber	
柄 Stem	SS316	SS304
柄 Stem	SS316	A105
双夹(螺母) Double clamp(nut)	SS316	2Cr13
润滑剂 Lubricant	SS316	MoS2

注: 可根据用户要求确定材质。 Note: Material as per user's requirements

SS-6NVF8 美标内螺纹针型阀

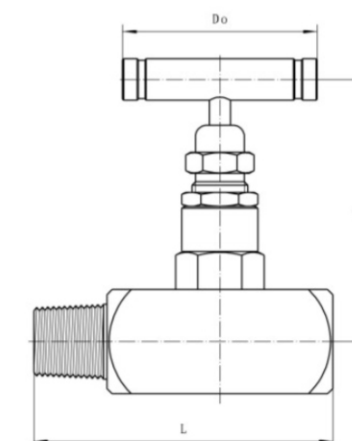
SS-6NVF8 American-standard internal thread needle valve



连接形式: Type of Connection:
内螺纹连接; 承插连接; female connection; The socket connection

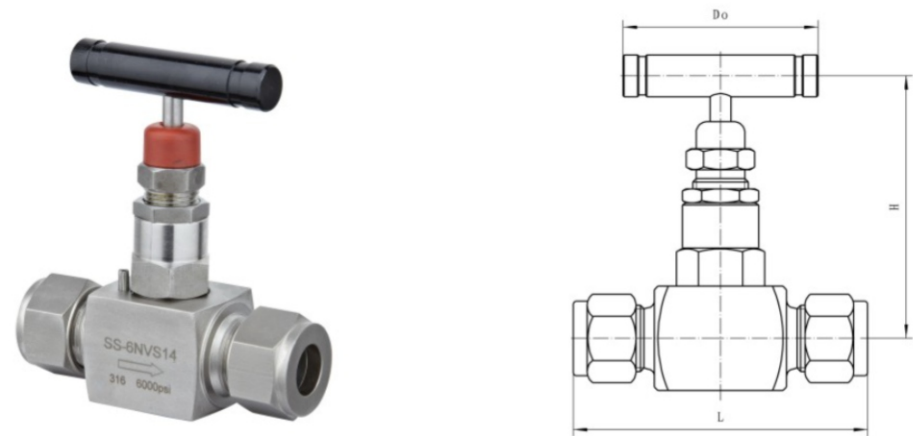
▲主要连接尺寸 General Dimensions

产品编号 ITEM NO	接头尺寸 JOINT SIZE	L	H	D0	重量(kg) Weight
SS-3NVF4	1/4"NPTF	57	65	57	0.4
SS-3NVF6	3/8"NPTF	57	65	57	0.4
SS-6NVF8	1/2"NPTF	68	78	63	0.5
SS-12NVF10	3/4"NPTF	80	95	80	1.0
SS-12NVF12	1"NPTF	90	100	90	1.4



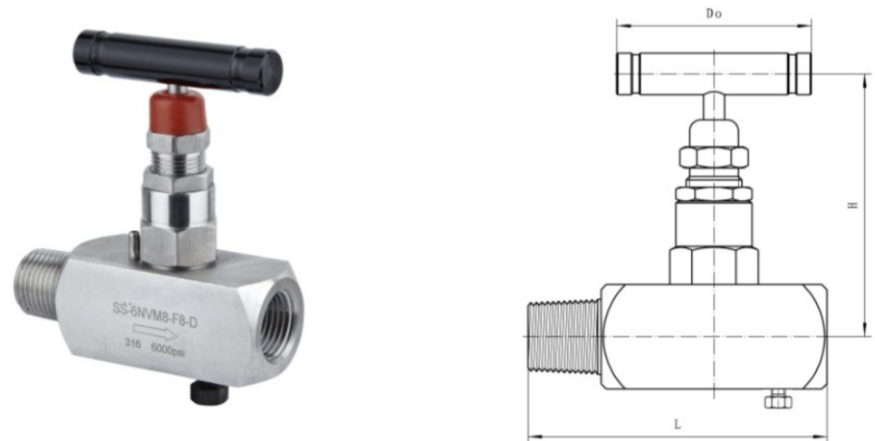
▲主要连接尺寸 General Dimensions

产品编号 ITEM NO	接头尺寸 JOINT SIZE	L	H	D0	重量(kg) Weight
SS-3NVM4-F4	1/4"NPTMXF	68	65	57	0.4
SS-3NVM6-F6	3/8"NPTMXF	68	65	57	0.4
SS-6NVM8-F8	1/2"NPTMXF	86	78	63	0.6



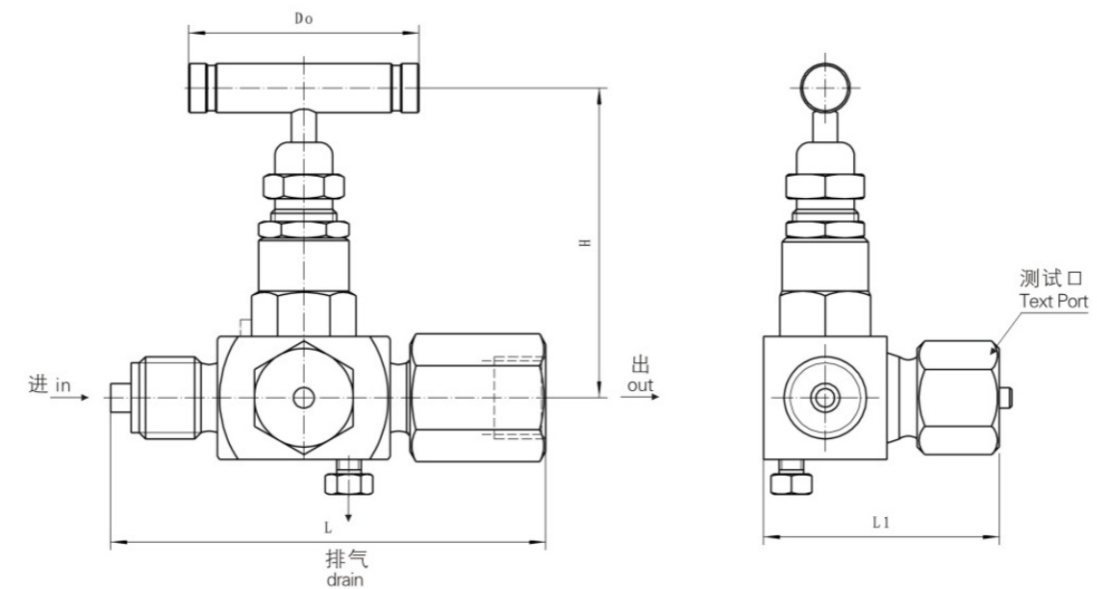
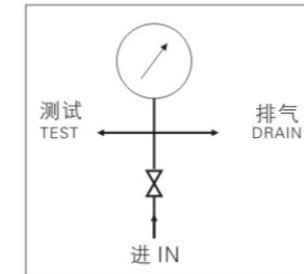
▲主要连接尺寸 General Dimensions

产品编号ITEM NO	接头尺寸JOINT SIZE	L	H	D0	重量(kg) Weight
SS-3NVS6	Φ6	76	65	57	0.45
SS-3NVS8	Φ8	76	65	57	0.45
SS-3NVS10	Φ10	78	65	57	0.45
SS-3NVS12	Φ12	78	65	57	0.5
SS-6NVS14	Φ14	92	78	63	0.6



▲主要连接尺寸 General Dimensions

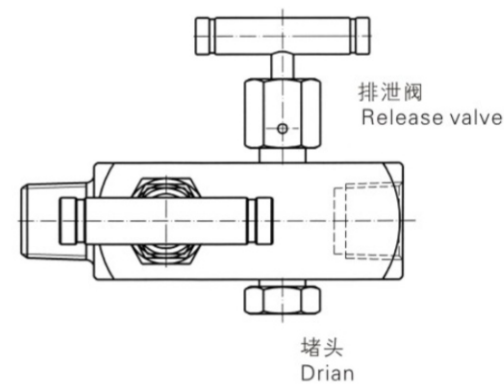
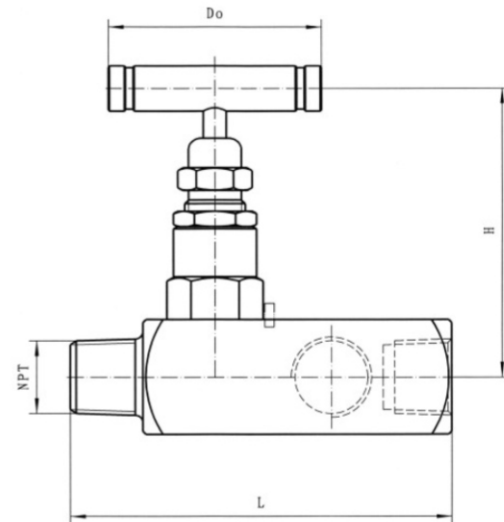
产品编号ITEM NO	接头尺寸JOINT SIZE	L	H	D0	重量(kg) Weight
SS-3NVM4-F4-D	1/4"NPTMXF	68	65	57	0.4
SS-3NVM6-F6-D	3/8"NPTMXF	68	65	57	0.4
SS-6NVM8-F8-D	1/2"NPTMXF	86	78	63	0.6



▲主要连接尺寸 General Dimensions

产品编号ITEM NO	进口端 In	出口端 Out	L	L1	H	D0	重量(kg) Weight
SS-6NVGF8-M8	G1/2"A	G1/2"	106	58	78	63	0.65

压力表端口
Note:G:GAVGE PORT



▲主要连接尺寸 General Dimensions

产品编号ITEM NO	进口端 In	出口端 Out	L	H	D0	重量(kg) Weight
SS-6NVGM8-F8	1/2"NPT	3-1/2"NPT	92~142	78	63	

压力表端口
Note:G:GAUGE PORT

提升式旋塞阀 Rising Pattern Plug Valve



5PD SERIES

- ▲棒轴形直通孔(旋塞头)
- ▲阀杆上填料
- ▲工作压力达6000psi (413 bar)
- ▲Bar stock straight forward(blead plug)
- ▲Stem above packing
- ▲Pressure to 6000psi (413 bar)

产品型号订货须知

The product model ordering instructions

SS - 5 PDF 8 - M 8

材料代号MATERIAL
SS: 不锈钢Stainless steel
CS: 碳钢Carbon steel

标准孔径ORIFICE SIZE
4: Orifice 3.8mm
5: Orifice 5.5mm
7: Orifice 6.8mm
8: Orifice 8.2mm

结构类型STRUCTURE TYPE
PD: 软密封阀座Soft seated

出口连接尺寸INSTRUMENT/OUTLET CONNECTION TYPE
F=内螺纹female

连接尺寸PROCESS CONNECTION SIZE

4=1/4"NPT
6=3/8"NPT
8=1/2"NPT
10=3/4"NPT
12=1"NPT

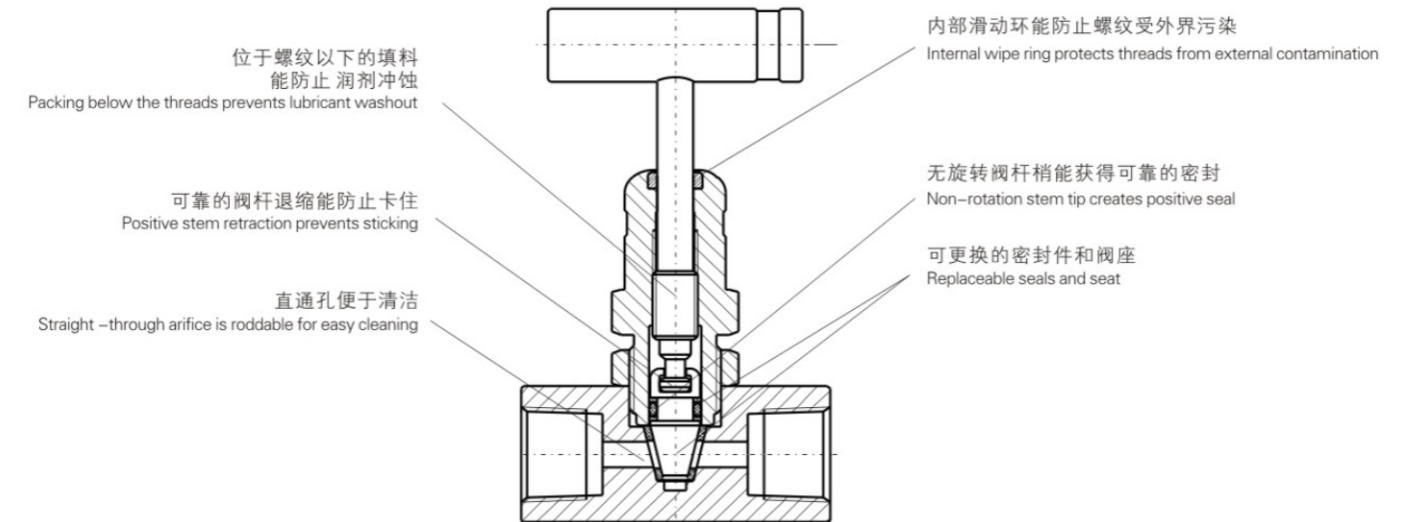
出口连接尺寸INSTRUMENT/OUTLET CONNECTION
M=外螺纹Male

连接尺寸PROCESS CONNECTION SIZE

4=1/4"NPT 6=3/8"NPT 8=1/2"NPT 10=3/4"NPT 12=1"NPT

SS-5PDF8 美标旋转内螺纹直通阀

SS-5PDF8 American-standard rotary internal thread straightway valve

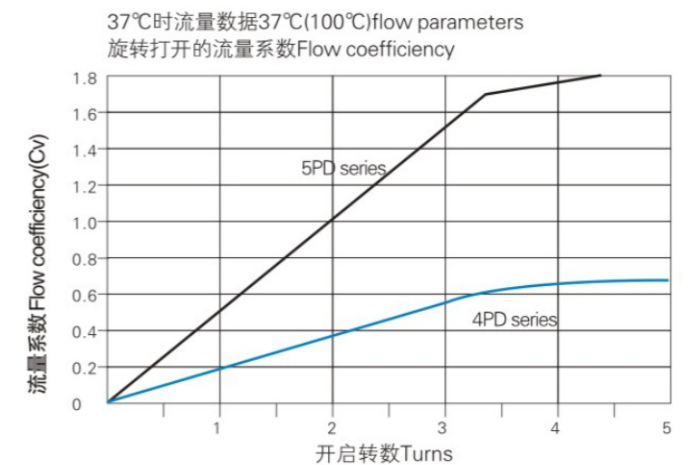


▲主要零件及材质表 External Dimensions

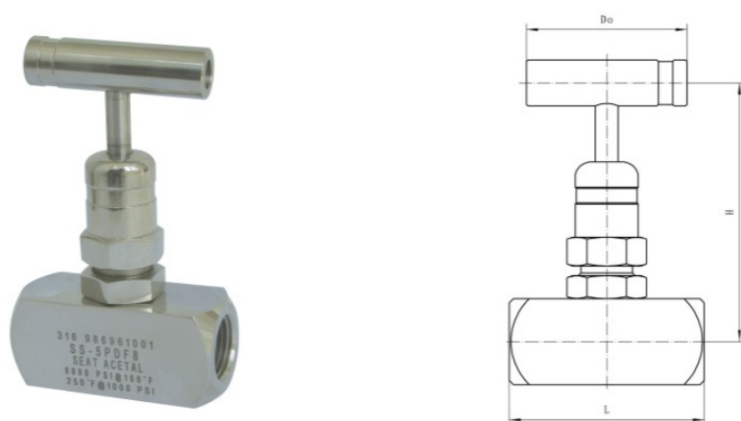
Component 零件	阀体材质Body Material	
		316 SS
	材质/ASTM规格 Material grade/ASTM spec.	
手柄Handle 固定set 螺钉screw	316SS/A276	
	S17400/A564	
滑动片、环圈Wiper ring	碳纤维加强PTFE Glass fiber reinforced PTFE	
阀盖Bonnet	SS 316/A479	A105
锁紧螺母Lock nut	SS 316/B783	
阀杆柄Stem shank	S17400/564	
阀杆头Stem tip 支撑环Back up O形圈RingsO-ring	SS 316/A276	A105
	PTFE/D1710	
阀座Seat	碳氟Carbon fluorine/FKM	
阀体Body	SS 316/A479	A105
润湿剂Wetted	碳氟Ws2 and carbon fluorine: 多晶硅Silicon base	

▲性能规范 property specification

壳体测试 Shell test	800-10000psi	1.5PN
密封测试 Tightness test		1.1PN
适用温度 Applicable temperature	°C	180
适用介质 Applicable medium	水、蒸汽、油、等 Water、steam、oil、products etc.	

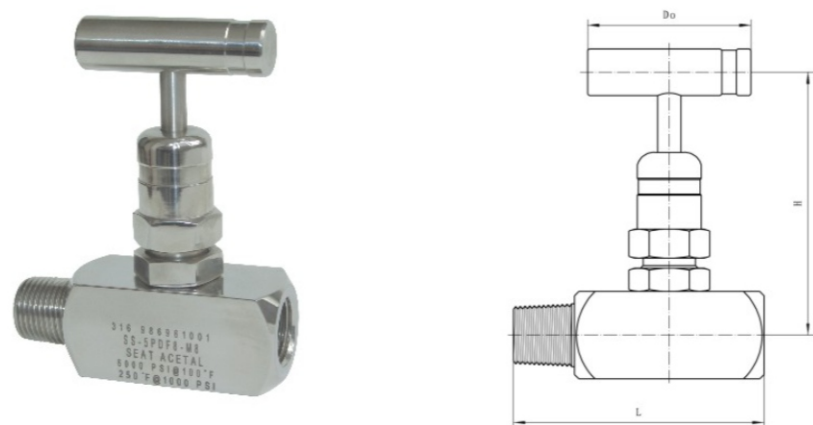


SS-5PDF8 美标旋转内螺纹直通阀
SS-5PDF8 American-standard rotary internal thread straightway valve



▲主要连接尺寸 General Dimensions

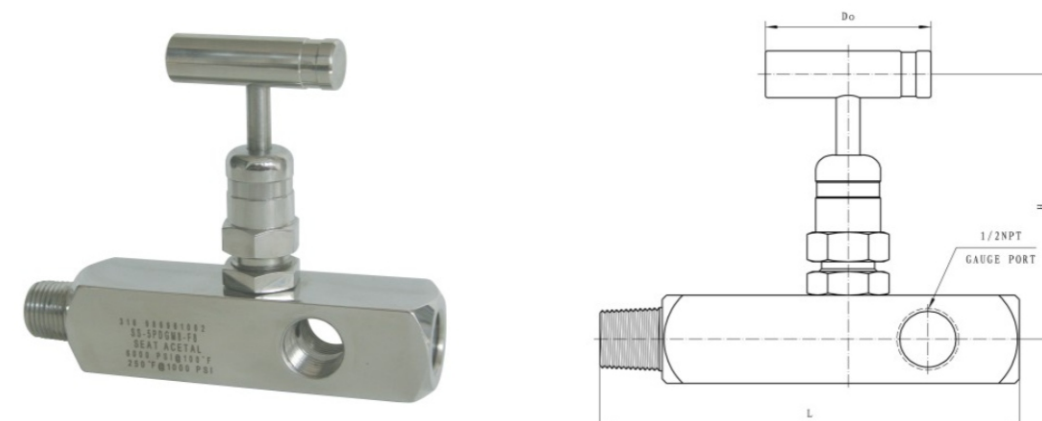
产品编号ITEM NO	接头尺寸JOINT SIZE	L	H	D0	重量(kg) Weight
SS-4PDF4	1/4" NPTF	57	75	45	0.45
SS-4PDF6	3/8" NPTF	57	75	45	0.45
SS-5PDF8	1/2" NPTF	68	90	56	0.6
SS-7PDF10	3/4" NPTF	80	100	70	1.1
SS-8PDF12	1" NPTF	90	108	80	1.5



▲主要连接尺寸 General Dimensions

产品编号ITEM NO	接头尺寸JOINT SIZE	L	H	D0	重量(kg) Weight
SS-4PDF4-M4	1/4" NPTMXF	68	75	45	0.5
SS-4PDF6-M6	3/8" NPTMXF	68	75	45	0.5
SS-5PDF8-M8	1/2" NPTMXF	86	90	56	0.7

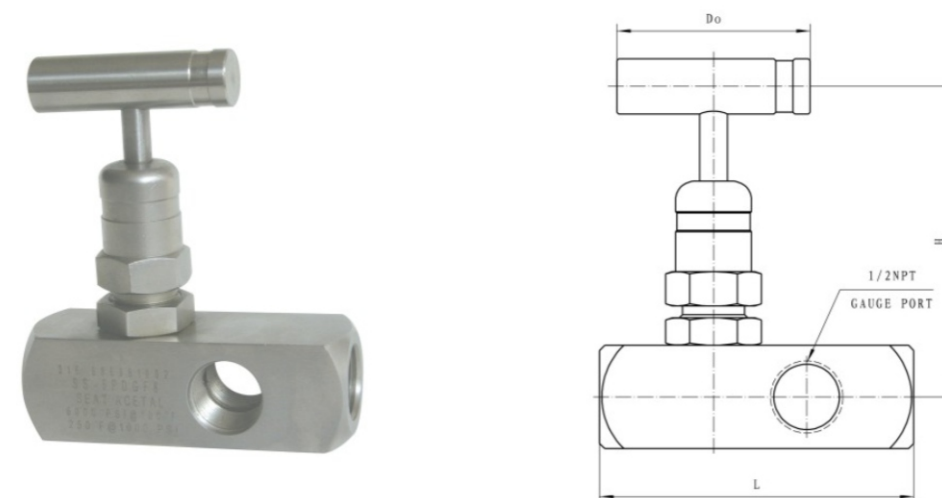
SS-5PDGF8-M8 美标旋转内螺纹三通阀
SS-5PDGF8-M8 American-standard rotary internal thread three-way valve



▲主要连接尺寸 General Dimensions

产品编号ITEM NO	进口端 In	出口端 Out	L	H	D0	重量(kg) Weight
SS-5PDGF8-M8	1/2"NPTM	3-1/2"NPTF	142	90	56	1.1

1/2"和3/4"外螺纹至1/2"NPT内螺纹端连接。
1/2"and 3/4", 1/2" male thread, NPTF
1/2"内螺纹标准压力表接口。
1/2" Standard female gauge interface



▲主要连接尺寸 General Dimensions

产品编号ITEM NO	进口端 In	出口端 Out	L	H	D0	重量(kg) Weight
SS-5PDGF8	1/2"NPTM	3-1/2"NPTF	91	90	56	0.7

1/2"内螺纹标准压力表接口。
1/2", General female meter size
注: 压力表接口
Note: G: GAUGE PORT

一体化阀盖针阀 The integration of the cover of the needle valve



26V SERIES

- ▲ 仪表板安装带填料PTFE
- ▲ 工作压力达6000 psi(413 bar)
- ▲ 面板安装
- ▲ Panel moutableWith packing PTFE
- ▲ Max.working pressure 6000 psi(413 bar)
- ▲ Panel mountable

SS - 2 6 V F 8

材料代号MATERIAL
SS:不锈钢stainless steel
CS:碳钢carbon steel

结构类型STRUCTURE TYPE
一体式阀盖针阀Integral cover needle valve

标准孔板尺寸STANDARD ORIFICE DIMENSIONS
6:Orifice5.5mm

类型TYPE
V-V型阀杆pattern stem

仪器/出口连接类型INSTRUMENT/OUTLET CONNECTION TYPE
F=内螺纹 female
s=承插焊 socket weld

过程连接尺寸PROCESS CONNECTION SIZE

4=1/4"NPT	接管口径Tube diameter: Φ6mm
6=3/8"NPT	Φ8mm
8=1/2"NPT	Φ10mm
10=3/4"NPT	Φ12mm
12=1"NPT	Φ14mm

▲主要连接尺寸 General Dimensions

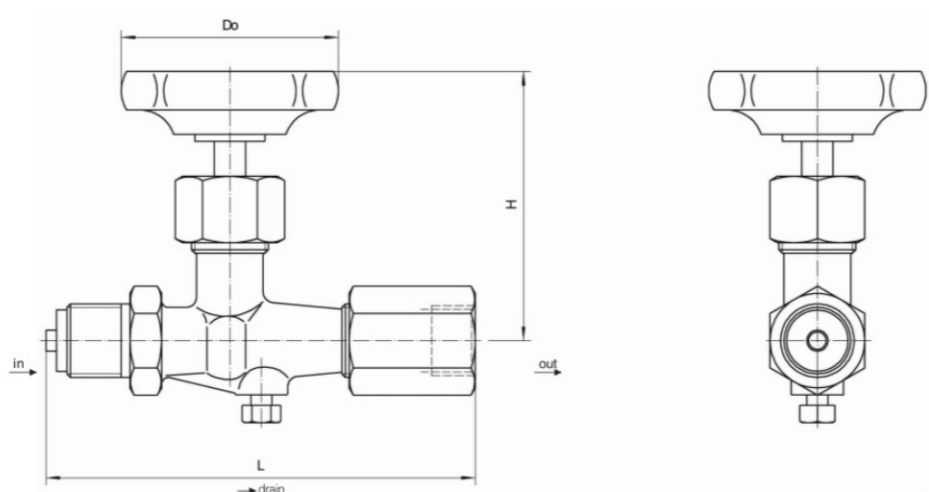
产品编号 ITEM NO	连接尺寸 JOINT SIZE	L	H	D0	重量(kg) Weight
SS-26NVF4-A	1/4"NPTF	32	55	57	0.4
SS-26NVF6-A	3/8"NPTF	32	55	57	0.4
SS-26NVF8-A	1/2"NPTF	36	58	63	0.5

▲主要连接尺寸 General Dimensions

产品编号 ITEM NO	连接尺寸 JOINT SIZE	L	H	D0	重量(kg) Weight
SS-26NVF4-M4-A	1/4"NPTF MXF	32	55	57	0.4
SS-26NVF6-M6-A	3/8"NPTF MXF	32	55	57	0.4
SS-26NVF8-M8-A	1/2"NPTF MXF	36	58	63	0.5

角阀的一种标准
Note:A stand for angle type

▲仪表阀 Gauge valve

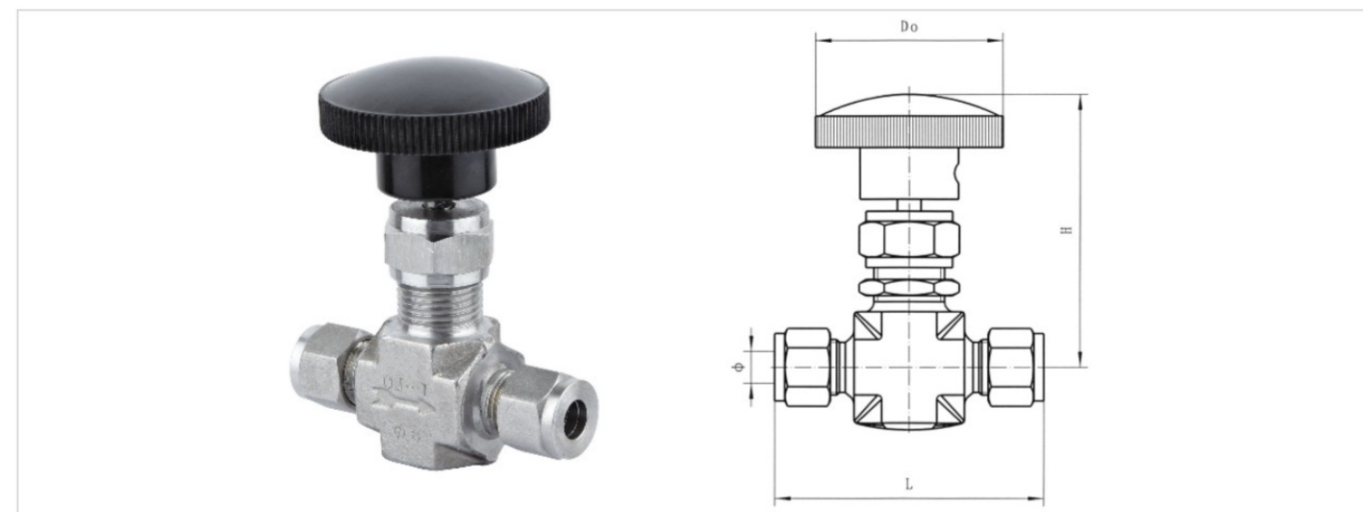


▲主要连接尺寸 General Dimensions

产品编号 ITEM NO	进口端 In	出口端 Out	L	H	D0	重量(kg) Weight
SS-26NVGF8-M8	G1/2"	G1/2"	122	78	63	0.6

y2*标准内螺纹压力仪表接口
注: 压力表接口
1/2in, Standard female pressure meter interface
Note: GAUGE Port

▲结构形式 Structure



▲应用规范 Application Specification

- 设计制造 Design & Manufacture
GB/T 12224-2005
JB/T 7747-2010
- 连接形式: Type of Connection:
卡套式; 内螺纹连接 Ferrule; female connection
- 结构特征: Features of Structure:
热锻压阀体; 锥面密封; 活动阀瓣
Hot forging valve; Cone sealing; Removeable Disc
- 阀门检验和试验: Inspection and Testing of Valves
GB/T 13927-2008
- 材料: Materials:
碳钢按GB/T 12228-2006的规定
Carbon Steel: GB/T 12228-2006
不锈钢按GB/T 12220-2007的规定
Stainless Steel: GB/T 12220-2007

▲性能规范 Performance Specification

单位: MPa

试验项目 Test Item	压力值 Pressure value
公称压力 Nominal Pressure	6.4
壳体试验 Shell Test	9.6
密封试验 Seal Test	7.04
气压试验 Pneumatic Test	0.6
适用温度 Applicable Temperature	≤180℃
适用介质 Applicable Medium	水、蒸气、油品等 Water, Steam, Oils etc

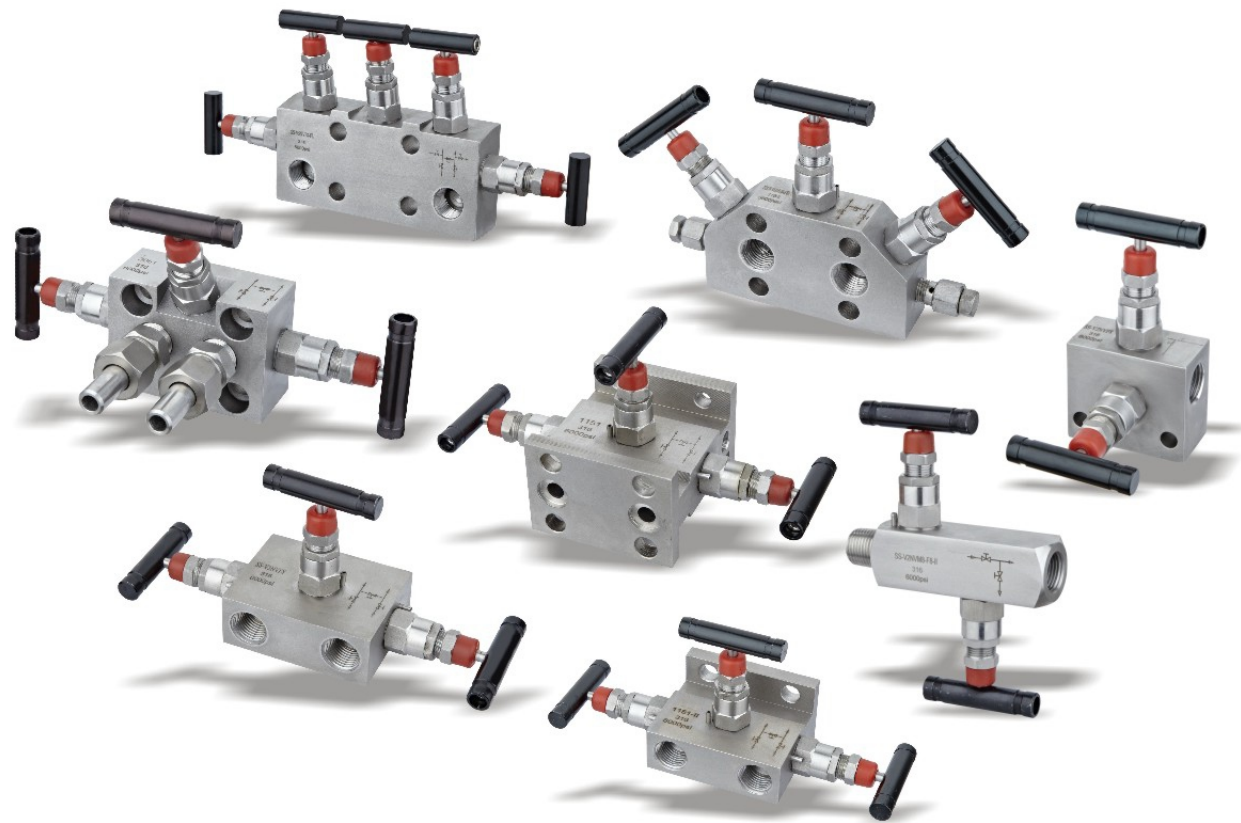
▲主要零件材料 Materials of Major Parts

型号 Model	阀体 Valve Body	接头 Joint	阀杆 Stem	螺帽 Nut	填料 Packing
QJ-1	304	304	304	304	柔性石墨 PTFE

▲主要外形尺寸 Major Overall Dimensions

规格 Specifications	φ	L	H	D0	重量(kg) Weight
DN6	φ6	54	58	42	0.2
DN8	φ8	54	58	42	0.2
DN10	φ10	72	67	50	0.3
DN12	φ12	72	67	50	0.3

仪表阀组系列 Instrumentation valve series



NV SERIES

- ▲ 2,3,5仪表阀组
- ▲ 全不锈钢结构, 带有PTFE填料
- ▲ 工作压力达6000psi(413 bar)
- ▲ 用石墨填料时, 温度达1200° F(648°C)

- ▲ 2-,3-, & 5-way manifold
- ▲ Stainless steel construction, with PTFE packing
- ▲ Max. working pressure 6000psi(413 bar)
- ▲ Operation temp. 1200° F(648°C) with graphite packing.

SS - V 3 NV F - 8

材料代号MATERIAL
SS:不锈钢 Stainless steel
CS:碳钢 Carbon steel

类型代号TYPE
V: 阀组Manifold valve

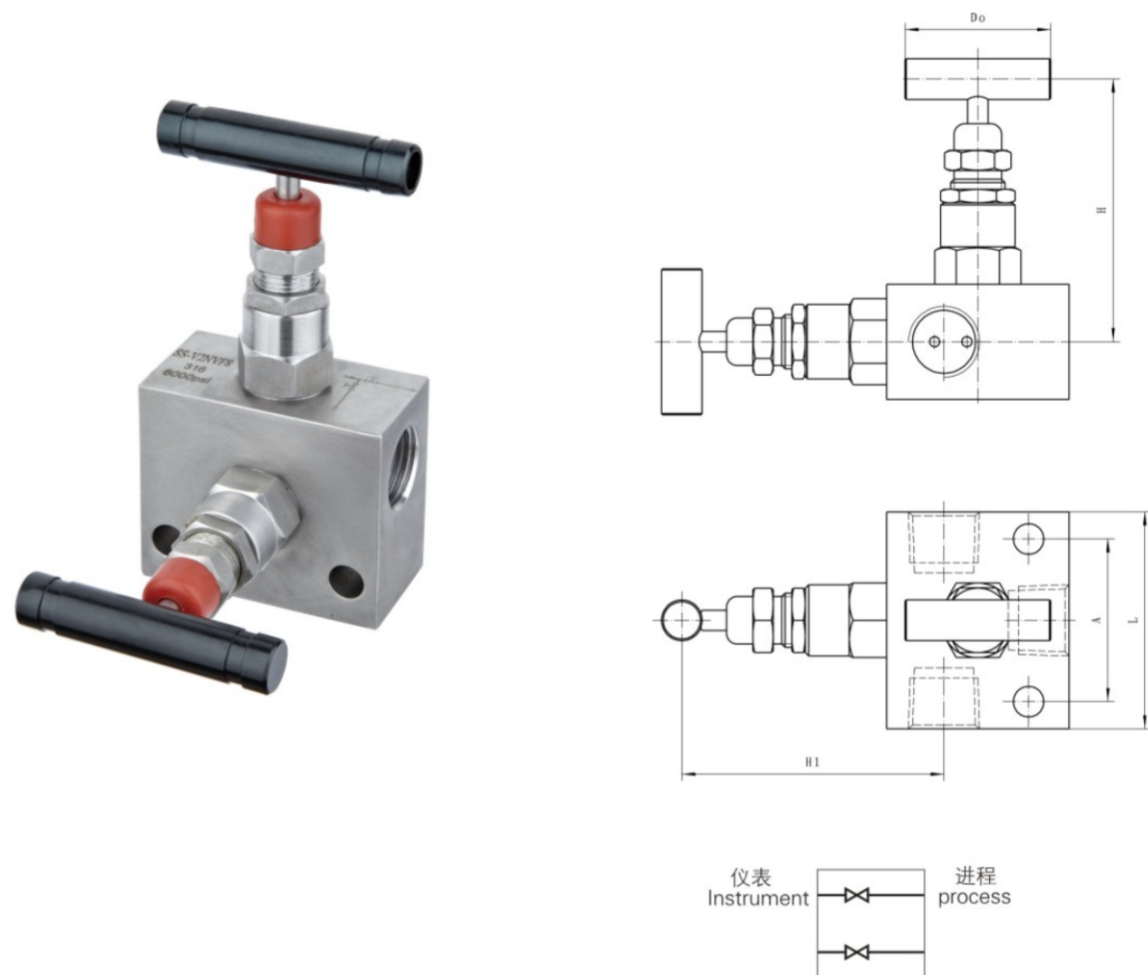
组别代号WAYS
2通-2Way
3通-3Way
5通-5Way

结构形式STRUCTURE TYPE
针阀(V型阀杆)
NV:needle vavle(V-Pattern stem)

出口连接 INSTRUMENT/OUTLET CONNECTION TYPE
F=内螺纹 female

连接尺寸PROCESS CONNECTION SIZE
8=1/2"NPT

▲2阀组 2Instrument Manifold



▲主要连接尺寸 General Dimensions

产品编号ITEM NO	进口端 In	出口端 Out	A	L	H	H1	D0	N-Φ	重量(kg) Weight
SS-V2NVF8	1/2"NPT	2-1/2"NPT	48	64	78	78	63	2-Φ9	1.0

T型手柄 T bar handle
 包括一个截止阀和一个排放阀 Isolation of instrument and venting involved
 卧式主体 Bar stock body
 直接仪表安装和远程安装 Flexible mounting :direct or remote mouting

▲2阀组 2Instrument Manifold

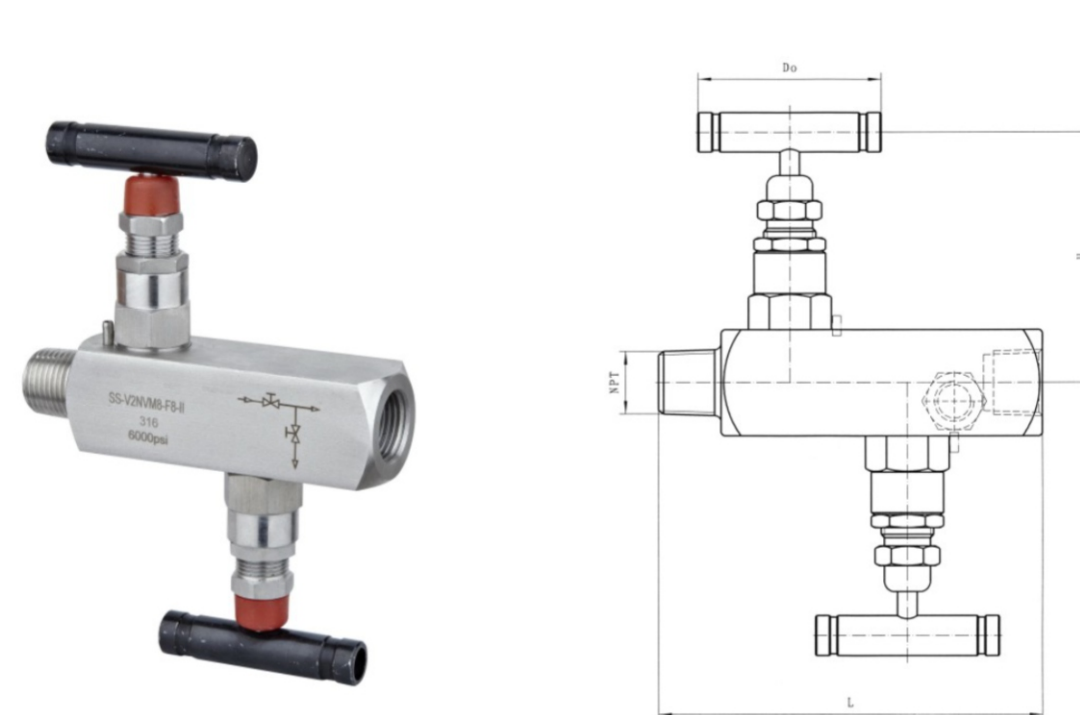


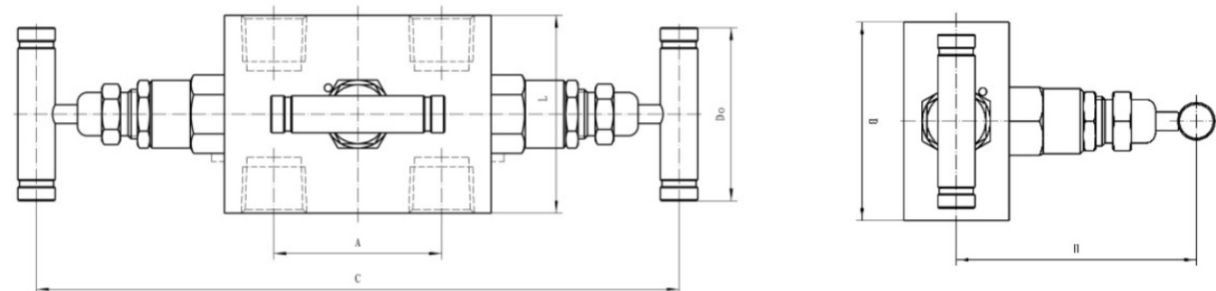
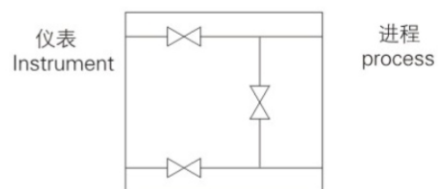
示意图
Schematic Diagram

▲主要连接尺寸 General Dimensions

产品编号ITEM NO	进口端 In	出口端 Out	L	H	D0	重量(kg) Weight
SS-V2NVF8	1/2"NPT	1/2"NPT	98-117	78	63	

T型棒把手 T bar handle
 包括一个截止阀和一个排放阀 Include a stop valve and a bleed valve
 棒材阀体 Bar stock body
 直接仪表安装和远程安装 Instrument installation and remote installation directly

▲3阀组 3Instrument Manifold

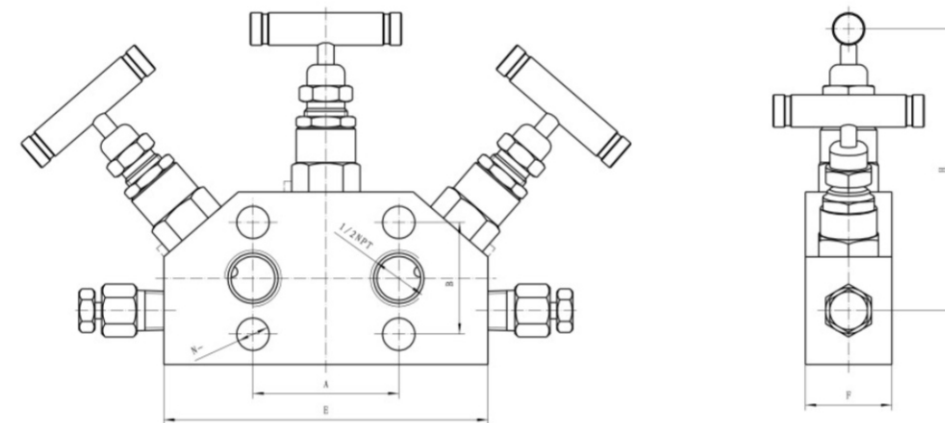
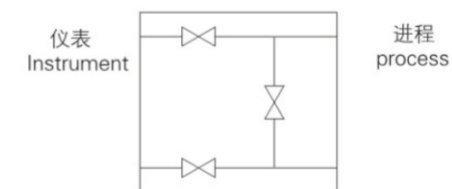


▲主要连接尺寸 General Dimensions

产品编号ITEM NO	接头尺寸JOINT SIZE	A	B	C	H	D ₀	重量(kg) Weight
SS-V3NVF8	1/2"NPTF	54	64	208	78	63	1.5

设计成装在压力变送器上，含两个截止阀和一个平衡阀。
pressure transmitter With 2 isolation valve and an equalized valve

▲3阀组 3Instrument Manifold



▲主要连接尺寸 General Dimensions

产品编号ITEM NO	进口端 In	出口端 Out	A	B	E	F	H	N-Φ	重量(kg) Weight
SS-V3NVF8-FL	1/2"	FL	54	41.3	120	32	105	4-Φ12	2.1

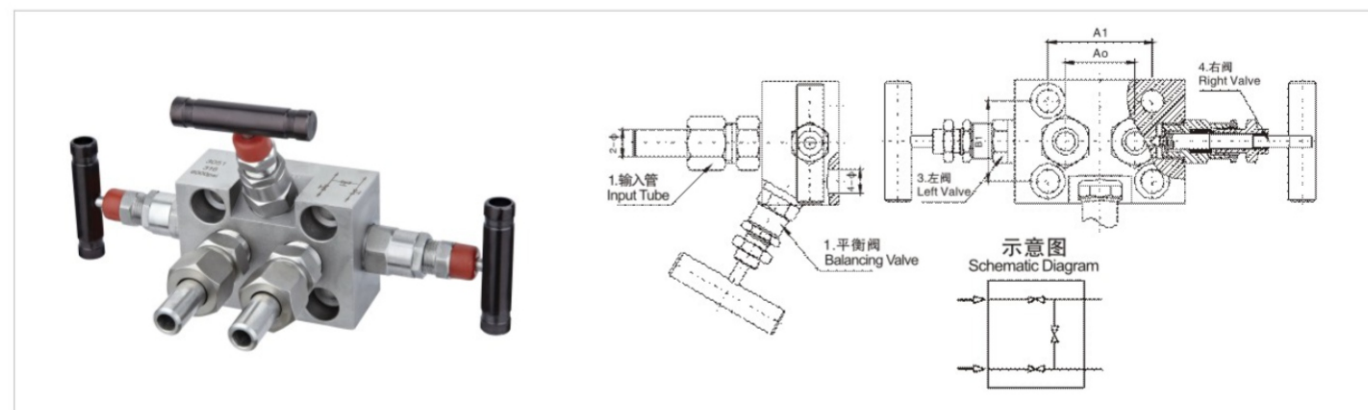
设计成装在压力变送器上，含两个截止阀和一个平衡阀，带两个排放口。
Installed on the pressure transmitter, including two cut-off valve and a balanced valve, with two drains.

备注：“FL”代表法兰连接
Note: “FL” stands for flange connection

▲结构形式 Structure

3051一体化三阀组,是差压变送器的组合件。通过阀组与各种类型的差压变送器结为一体,使差压变送器的连接简化而牢固,并减少泄漏点。该阀可配接: 1151、3051、EJA、ST3000等系列差变送器。

3051 Integrated 3-valve manifolds are assemblies of differential pressure transmitters. Valve manifolds are connected with differential pressure transmitters to simplify and fasten the connection of differential pressure transmitters and diminish leak points. The valves may be connected to various series of differential pressure transmitters like 1151, 3051, EJA and ST3000 series.



▲性能规范 Performance Specification

单位: MPa

试验项目 Test Item	压力值 Pressure value
公称压力 Nominal Pressure	16
壳体试验 Shell Test	24
密封试验 Seal Test	17.6
气压试验 Pneumatic Test	0.6
适用温度 Applicable Temperature	≤ 180°C
适用介质 Applicable Medium	水、蒸气、油品等 Water, Steam, Oils etc

▲应用规范 Application Specification

- 设计制造 Design & Manufacture
GB/T 12224-2005 JB/T 8473-1996
- 连接形式: Type of Connection:
法兰式连接 Flange Connection
- 结构特征: Features of Structure:
锥面密封; 活动阀瓣 Conical Sealing; Removeable Disc c Clack
- 阀门检验和试验: Inspection and Testing of Valves
GB/T 13927-2008
- 材料: Materials:
碳钢按 GB/T 12228-2006 的规定
Carbon Steel: GB/T 12228-2006
不锈钢按 GB/T 12220-2007 的规定
Stainless Steel: GB/T 12220-2007

▲主要零件材料 Materials of Major Parts

型号 Model	阀体 Valve Body	接头 Joint	阀杆 Stem	螺帽 Nut	填料 Packing
3051-160P	SS304	SS304	SS304	SS304	柔性石墨 PTFE
3051-160R	SS316	SS316	SS316	SS316	

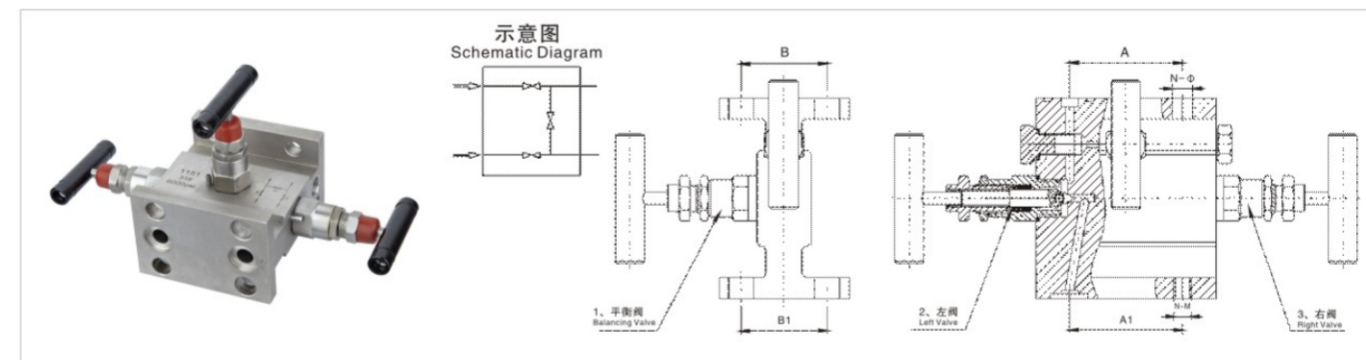
▲主要外形尺寸 Major Overall Dimensions

规格 Specifications	2-φ	4-φ	Ao	A1	B1	重量(kg) Weight
DN6	2-φ14	4-φ12	35	54	41	1.9

▲结构形式 Structure

1151型三阀组适用于与美国罗斯蒙特公司的1151系列电容差压变送器产品配套,其作用是从引压点将信号引入1151系列差压变送器正负测量室,使引压点与测量室接通或断开,为1151电容变送器不可缺少的配件。

1151 3-valve manifolds are specially applied to 1151 capacitive differential pressure transmitters manufactured by America-based Rosemount Inc., capable of transmitting signals from pressure points to positive and negative measure chamber of 1151 capacitive differential pressure transmitters to connect or disconnect pressure points with measure chambers. They are indispensable fittings of 1151 capacitive differential pressure transmitters.



▲应用规范 Application Specification

- 设计制造 Design & Manufacture
GB/T 12224-2005 JB/T 8473-1996
- 连接形式: Type of Connection:
法兰式连接; NPT内螺纹; 对焊式管接头
Flange Connection; NPT Female Thread Screw; Butt Welded Connection
- 结构特征: Features of Structure:
锥面密封; 活动阀瓣 Conical Sealing; Remaveable Disc Clack
- 阀门检验和试验: Inspection and Testing of Valves
GB/T 13927-2008
- 材料: Materials:
碳钢按 GB/T 12228-2006 的规定
Carbon Steel: GB/T 12228-2006
不锈钢按 GB/T 12220-2007 的规定
Stainless Steel: GB/T 12220-2007

▲性能规范 Performance Specification

单位: MPa

试验项目 Test Item	压力值 Pressure value
公称压力 Nominal Pressure	16
壳体试验 Shell Test	24
密封试验 Seal Test	17.6
气压试验 Pneumatic Test	0.6
适用温度 Applicable Temperature	≤ 180°C
适用介质 Applicable Medium	水、蒸气、油品等 Water, Steam, Oils etc

▲主要零件材料 Materials of Major Parts

型号 Model	阀体 Valve Body	接头 Joint	阀杆 Stem	螺帽 Nut	填料 Packing
1151-160P	SS304	SS304	SS304	SS304	柔性石墨 PTFE
1151-160R	SS316	SS316	SS316	SS316	

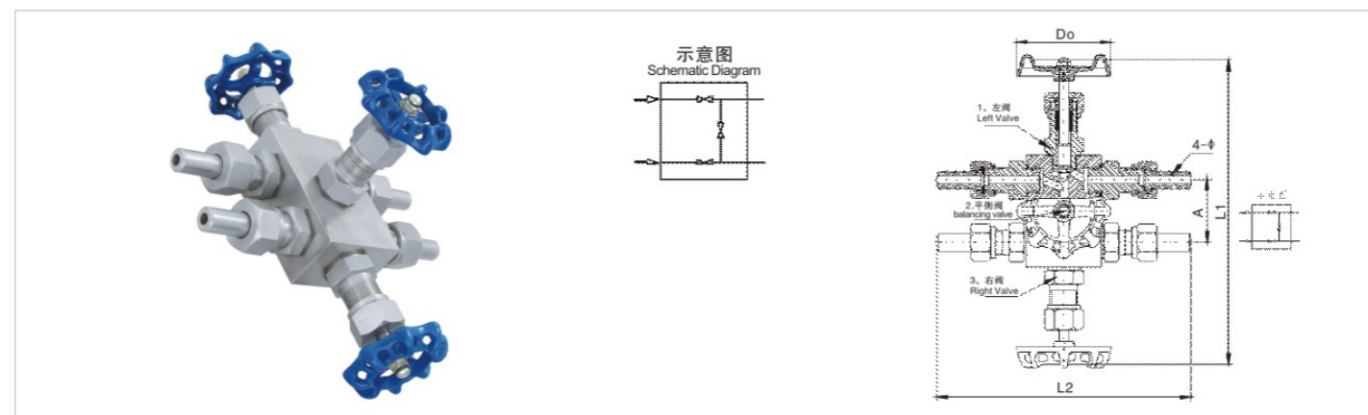
▲主要外形尺寸 Major Overall Dimensions

规格 Specifications	A	A1	B	B1	N-φ	N-M	重量(kg) Weight
DN6	54	54	41	41	4-φ12	4-M10	2.2

▲结构形式 Structure

QFF3平衡阀是用在差压变送器配套上，起平衡作用，它有一个输入端二个输出端，在不切断管道流体的情况下，完成排污，它优于三阀组，可以避免三阀组误操作而产生单向静压的缺点。

QFF3 balance valve is used in the mating of differential pressure transmitter and plays a part of balancing. It has one input end and two output ends which can complete pollution discharge by constant change of pine fluids. It's superior to three-valve group by overcoming the defect of one-way static pressure caused by misoperation.



▲性能规范 Performance Specification

单位: MPa

试验项目 Test Item	压力值 Pressure value
公称压力 Nominal Pressure	16
壳体试验 Shell Test	24
密封试验 Seal Test	17.6
气压试验 Pneumatic Test	0.6
适用温度 Applicable Temperature	≤425℃
适用介质 Applicable Medium	水、蒸气、油品等 Water, Steam, Oils etc

▲应用规范 Application Specification

- 设计制造 Design & Manufacture
GB/T 12224-2005 JB/ T 8473-1996
- 连接形式: Type of Connection:
对焊式管接头 Butt-welding type pipe joint
- 结构特征: Features of Structure:
锥面密封 Cone sealing;
- 阀门检验和试验: Inspection and Testing of Valves
GB/T 13927-2008
- 材料: Materials:
碳钢按GB/T 12228-2006的规定
Carbon Steel: GB/T 12228-2006
不锈钢GB/T 1220-2007的规定
Stainless Steel: GB/T 1220-2007

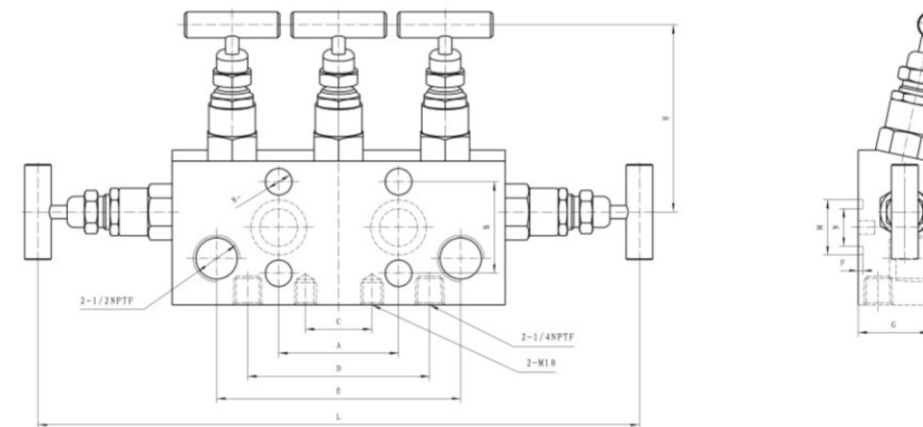
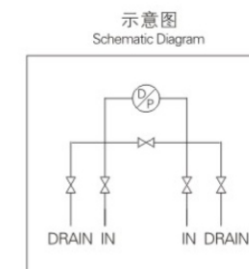
▲主要零件材料 Materials of Major Parts

型号 Model	阀体 Valve Body	接头 Joint	阀杆 Stem	螺帽 Nut	填料 Packing
QFF3-160	20#	20#	2Cr13	20#	柔性石墨 PTFE
QFF3-160P	SS304	SS304	SS304	SS304	

▲主要外形尺寸 Major Overall Dimensions

规格 Specifications	4-φ	A	L1	L2	Do	重量(kg) Weight
DN6	4-φ14	54	240	204	63	2.9

▲5阀组 5Instrument Manifold



▲主要连接尺寸 General Dimensions

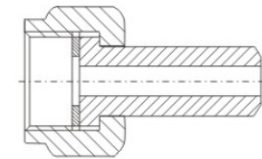
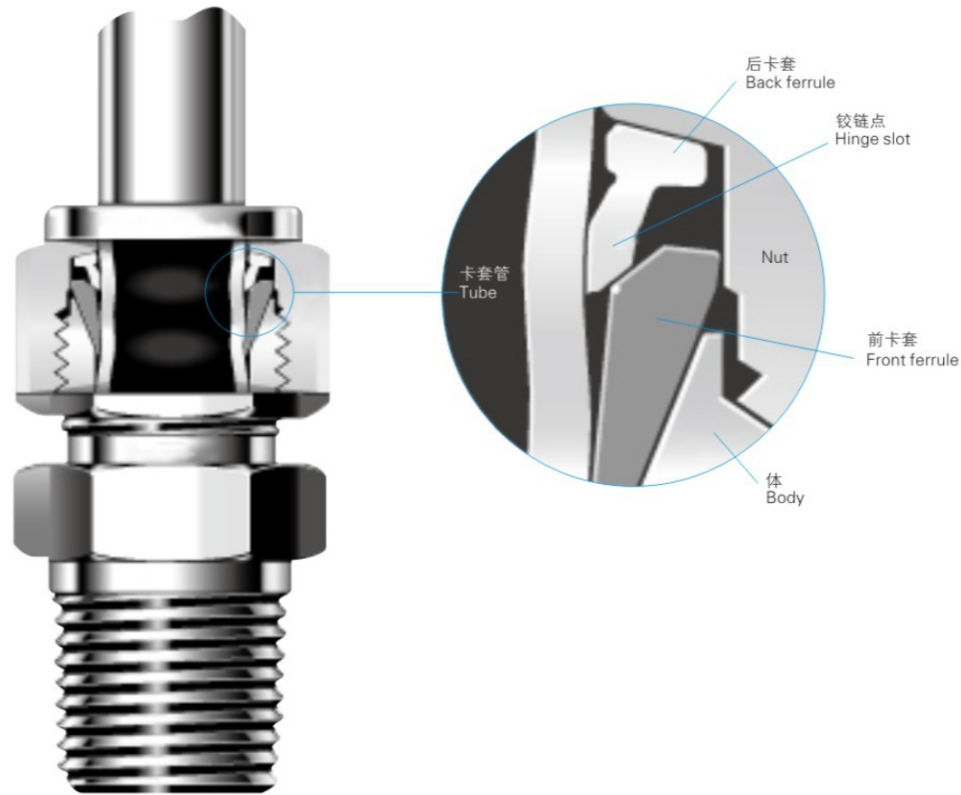
产品编号 ITEM NO	进口 In	出口 Out	A	B	C	D	E	L	H	M	N	F	G	N-φ	重量(kg) Weight
SS-V5NVF8-FL	1/2"NPTF	FL	54	41.3	30	82	110	270	85	25	17	2	32	2-φ12	2.45

设计成装在压力变送器上，含两个截止阀和一个平衡阀。
Pressure transmitter With 2 isolation valve and an equalized valve
备注: "FL" 代表法兰连接
Note: "FL" stands for flange connection

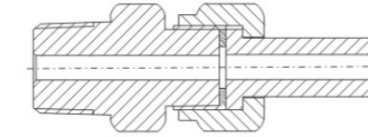


特性：
灵活安装和双接管设计。
方便安装。
压帽测试工具确保松紧度。

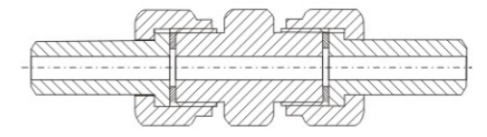
Features:
Active loading and double tubes design
Easily mountable
Cap testing tool, ensure the tightness



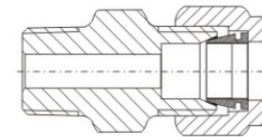
压力表接头
Pressure gauge joint



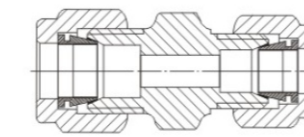
直通终端接头
Straight-in terminal joint



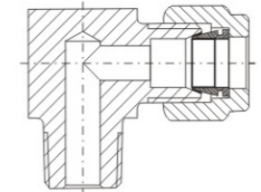
对焊式直通终端接头
Butt-welding straight-in terminal joint



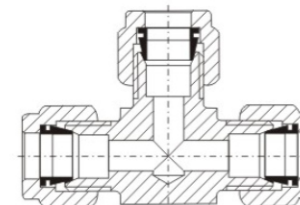
(卡套式)直通终端接头
(Ferrule) straight-in terminal joint



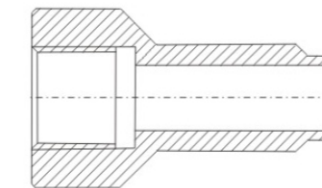
(卡套式)直通中间接头
(Ferrule) Straight-in intermediate joint



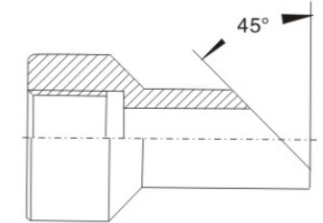
(卡套式)弯通接头
(Ferrule) Goose-neck joint



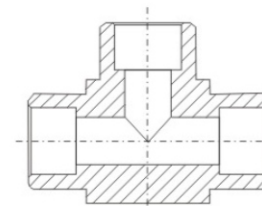
(卡套式)三通终端接头
(Ferrule) T-cock terminal joint



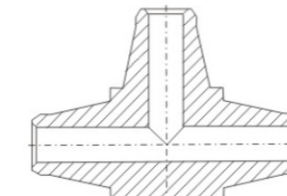
直形连接接头
Straight attachment joint



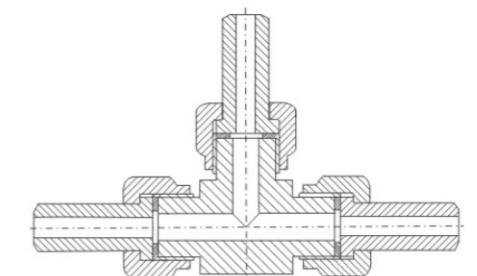
45° 直形连接接头
Straight union joint



三通承插焊接头
T-cock socket weld joint



三通对接接头
T-cock butt joint



三通中间接头
T-cock intermediate joint

注：螺纹类型G、NPT、BSPT 材料：304、321、316、A105
Note: Thread G、NPT、BSPT Material: 304、321、316、A105