

# Cage External Rotor Motor Fan

籠形外轉子電機風扇

# 280mm



## ① Frame

Aluminum die-casting, surface is finished by anti-corrosion treatment with primary color or black electrophoresis anti-corrosion treatment

## ② Impeller

Metal impellers are welded to motor rotor, and surface is finished by black electrophoresis anti-corrosion treatment

## ③ Operation Temperature/Humidity

Temperature -30°C ~ +75°C Humidity 0% ~ 95%

## ④ Protection

Motor Internal with automatic recovery thermal protector

## ⑤ Withstand Voltage

AC 1,800V , 1 min at 0.5mA, 50/60 Hz

## ⑥ Insulation System

design according to IEC61858 Grade F,

## ⑦ Protection Grade IP44

## ① 機架:

鋁合金壓鑄，表面原色抗腐蝕處理或黑色電泳防腐蝕處理

## ② 風葉:

金屬葉片焊接在外轉子上，表面黑色電泳防腐蝕處理

## ③ 運行溫/濕度範圍:

溫度 -30°C ~ +75°C 濕度 0% ~ 95% (非凝結狀態)

## ④ 保護:

電機內部帶自動恢復熱保護器

## ⑤ 絕緣耐壓:

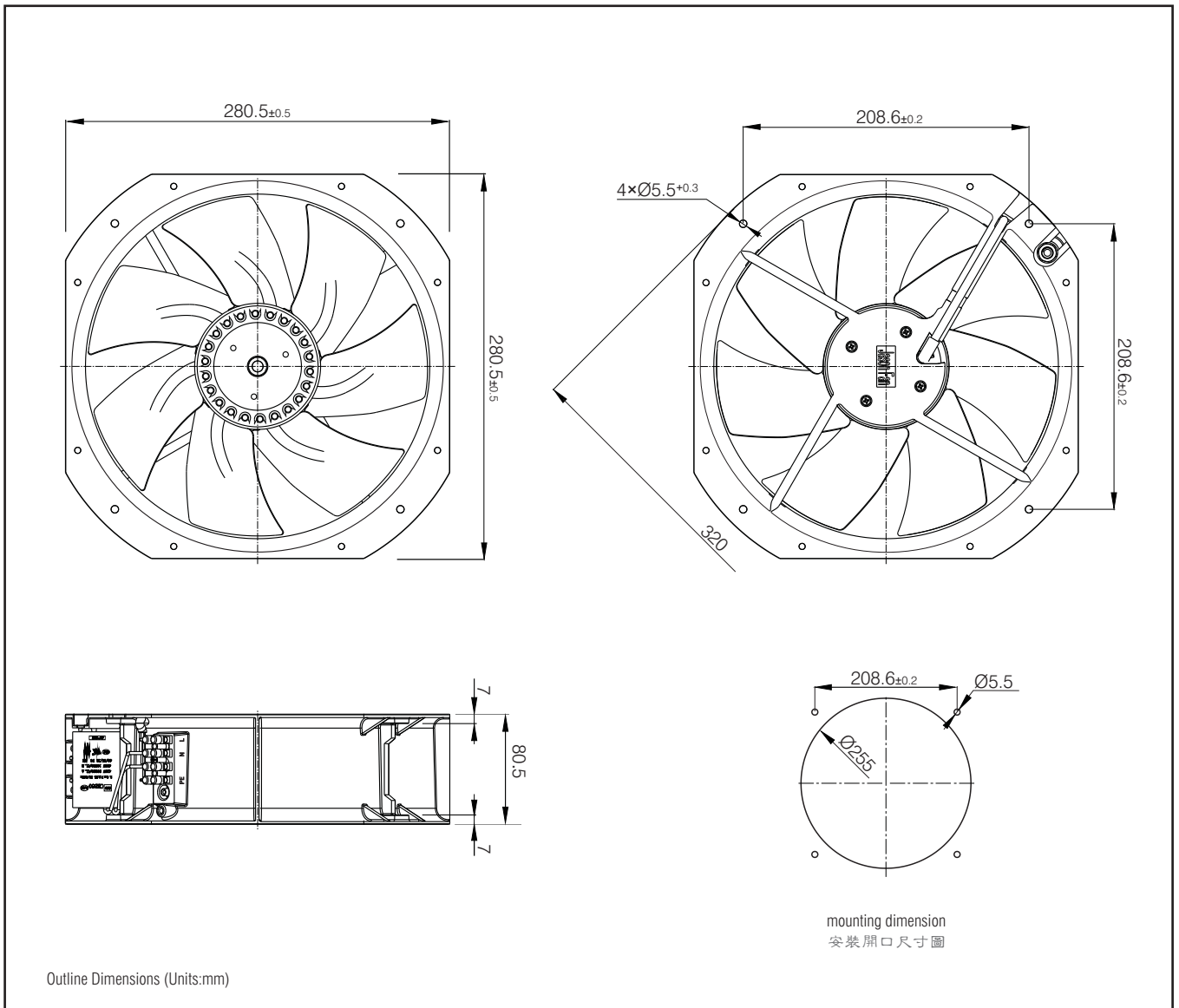
AC 1800V 0.5mA 50/60Hz下耐受1分鐘

## ⑥ 絕緣系統:

按 IEC61858 F級設計

## ⑦ 電機防護等級:

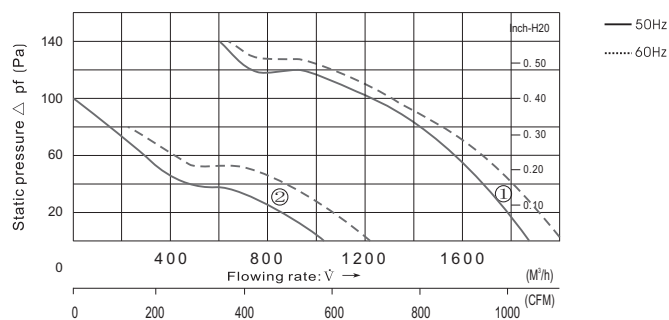
IP 44



Outline Dimensions (Units:mm)

- Ⓐ Rotation direction of blades : CCW seen from the front impellers
- Ⓑ Power Connection: PA-10 terminal connection
- Ⓒ Unit weight: 2.8kg

- Ⓐ 風扇旋向: 從扇葉方向看為逆時針
- Ⓑ 電源連接: PA-10 端子連接
- Ⓒ 單機重量: 2.8kg



## Parameters

Type 產品型號	Motor 電機	Rated Voltage 額定電壓 V	Frequency 周波數 Hz	current 電流 (A)	Power 功率 (W) <small>+10% -20%</small>	Speed 回轉速度 (min <sup>-1</sup> )	Max Air Flow 最大風量 CFM m <sup>3</sup> /h	Static Pressure 最大靜壓 (Pa)	Noise 噪音 (dB)	Curve 曲綫	Capacitor 電容 ( $\mu$ F)
FJ28081MAB	M2S9202-AF	115	50	1.10	110	2550	1097 1860	140	69	①	8.0/250
			60	1.20	136	2800	1204 2040	140	70		
FJ28082MAB	M2E9202-AF	230	50	0.48	105	2550	1097 1860	140	69	①	3.0/450
			60	0.62	140	2800	1204 2040	140	70		
FJ28083MAB	M2D9202-AF	380	50	0.29	115	2550	1097 1860	140	69	①	1.0/630
			60	0.39	150	2800	1204 2040	140	70		
FJ28082MAB-4E	M4E9202-AF	230	50	0.24	50	1400	596 1010	80	54	②	1.5/450
			60	0.25	57	1650	714 1210	100	58		