

Ventilation Systems Fan Filter

風扇過濾器

34-110m³/h

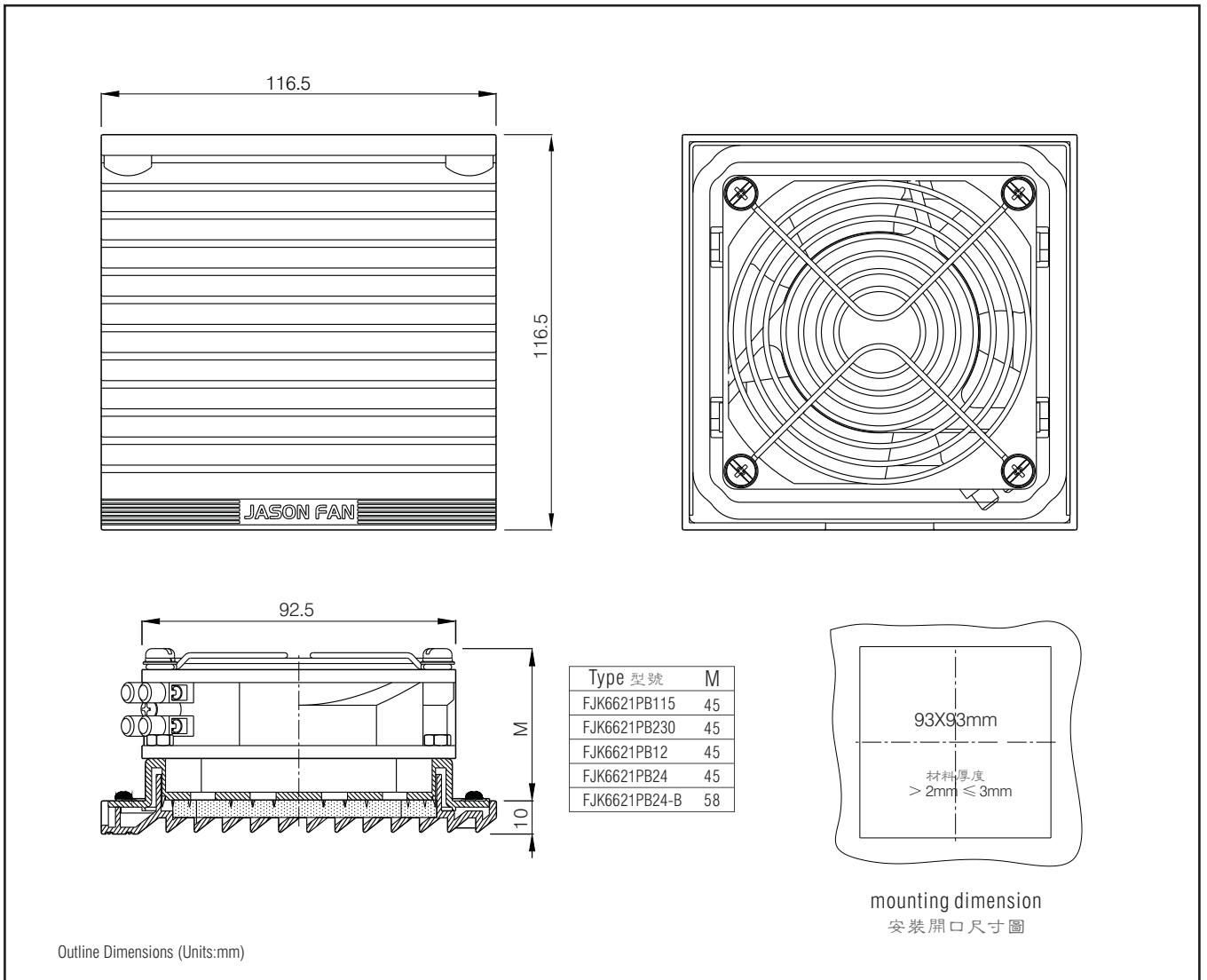


Characteristics:

- ① It comprises of a axial fan, a protective housing on the front and rear surfaces and filter designed to retain dust particles.
- ② The filters that equip the fans must be cleaned and replaced regularly.
- ③ This filter can be replaced during operation without risk of touch with the rotating part.
- ④ Material of filter pad: 100g/ M3 nylon fiber compound, Filtration efficiency up to 73%.
- ⑤ Operation Temperature/Humidity Range: (under unconcretionary state) -20°C ~ +65°C (temperature), 0% ~ 95% (himidity)
- ⑥ RAL 7035 grey is the standard offer with the possibility to change to RAL 7032 by means of a replacement grille.
- ⑦ Bear in mind the pressure losses caused by the outlet element (grille with filter, ventilation louvre or simple opening) when determining the fan flow rate.
- ⑧ Protection class: E N 60 5 29 I P 5 4 (not suitable for outdoor equipment).

特 點:

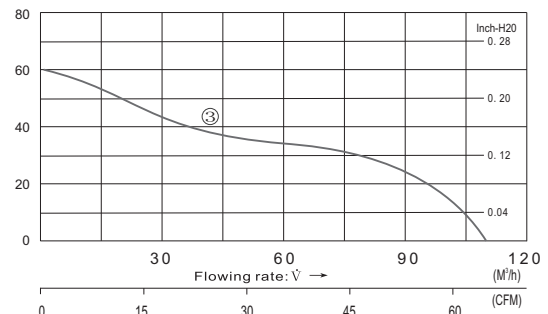
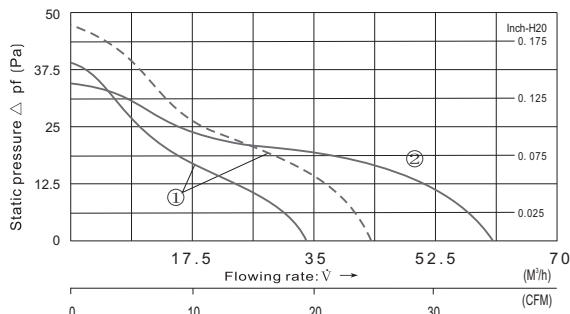
- ① 由軸流風扇與前後保護外殼和阻擋粉塵的過濾面板組成。
- ② 裝風扇的過濾面板必須定期清洗和更換。
- ③ 風扇運行時，可以對過濾面板進行更換，而不會有碰到風扇旋轉部分的危險。
- ④ 過濾墊材料：100g/ M3 尼龍纖維合成，過濾效率達73%
- ⑤ 運行溫/濕度範圍：（非凝結狀態）溫度 -20°C ~ +65°C
濕度 0% ~ 95%
- ⑥ 標準顏色為RAL7035灰色，可換成RAL7032，只需通過更換葉柵。
- ⑦ 在計算風扇流量的時候謹記由外部因素導致的壓力損失（帶過濾面板的葉柵，百葉窗形通風，或簡單的開口）。
- ⑧ 防護等級：E N 60 5 29 I P 5 4（不適于戶外設備）。



- ④ installation: No need of screw, snap-in installation
- ⑤ Power connection: Terminal connection (wire connection)
- ⑥ With seal ring
- ⑦ Maximum weight: 370g

- ④ 按裝方式：無須螺釘，卡入式按裝
- ⑤ 電源連接：端子連接（引綫連接）
- ⑥ 帶有密封圈
- ⑦ 最大重量：370g

free outlet characteristic curve



Parameters

Type 產品型號	Fan Model 風扇型號	Rated Voltage 額定電壓 V	Speed 電壓範圍 V	Frequency 用波數 Hz	current 電流 (A)	Power 功率 (W) +10% -20%	Max Air Flow 最大風量 m³/h	Static Pressure 最大靜壓 (Pa)	Noise 噪音 (dB)	Curve 曲綫	external dimensions 外形尺寸 (mm)
FJK6621PB115	FJ9021AB	115 AC	75...125	50	0.13	12	34	39	32	①	116.5x116.5x55
				60	0.12	11	42	45	34		
FJK6621PB230	FJ9022AB	230 AC	150...250	50	0.06	12	34	39	32	①	116.5x116.5x55
				60	0.07	11	42	45	34		
FJK6621PB12	FJ9025PB12	12 DC	6...13.8		0.22	2.64	60	35	34	②	116.5x116.5x55
FJK6621PB24	FJ9025PB24	24 DC	10...27.5		0.12	2.88	60	35	34		
FJK6621PB24-B	FJ9038PB24	24 DC	10...27.5		0.29	6.96	110	60	38	③	116.5x116.5x68