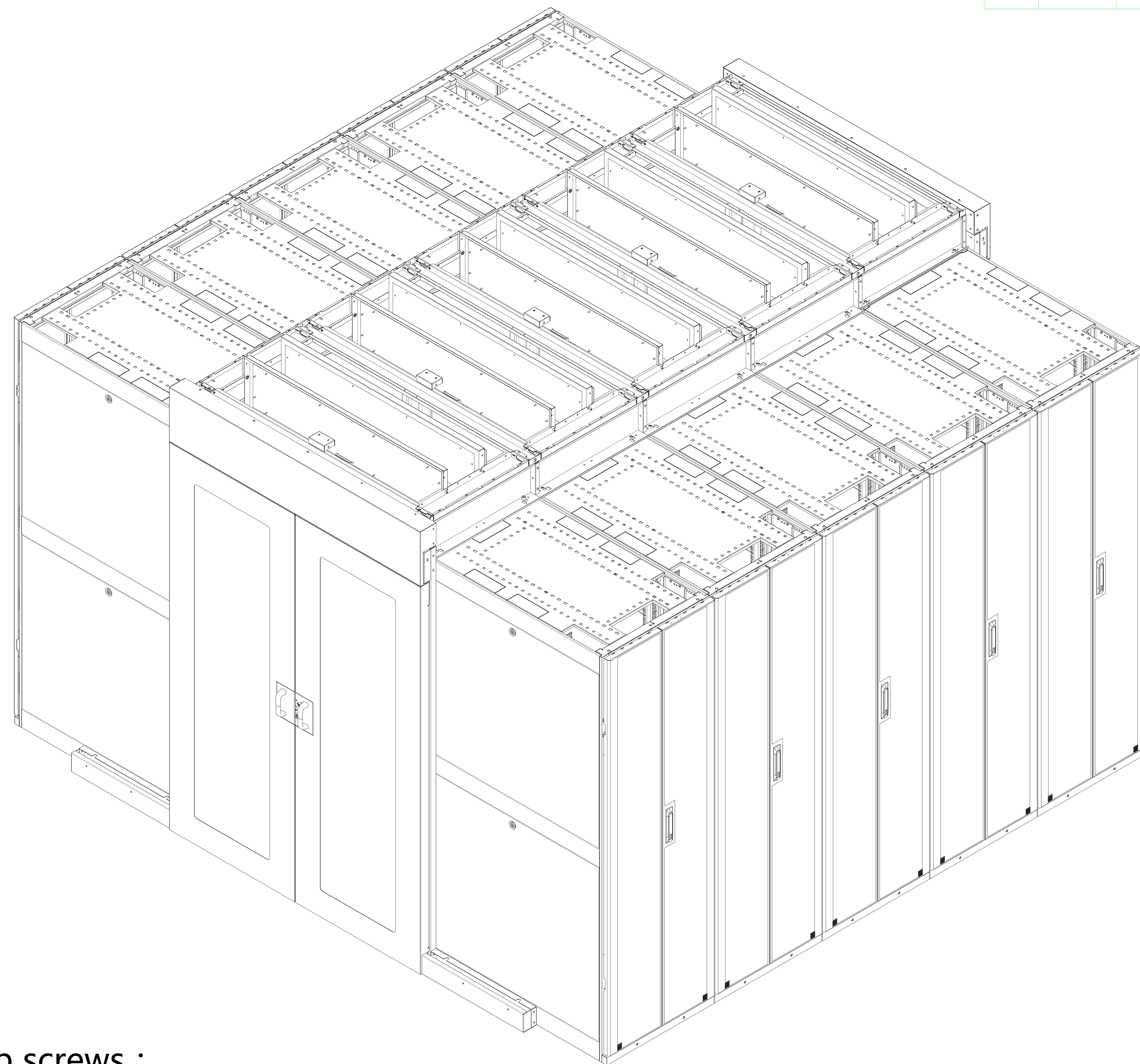


Tolerances/Tolerance ISO 2768-M

>0.5=3	>3=6	>6=30	>30=120	>120=400	>400=1000
±0.1	±0.1	±0.2	±0.3	±0.5	±0.8

Installation Tools :  
 1.Charging pistol drill  
 2.A set of six angle wrench  
 3.Socket wrench set

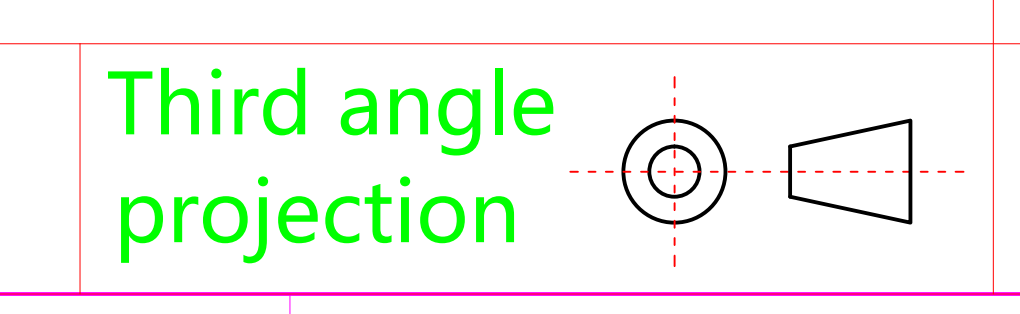


Installation Accessories Package :  
 1.M10\*15 Hexagon socket head cap screws ;  
 2.M5\*12 Hexagon socket head cap screws ;  
 3.M5\*20 Self tapping screws ;  
 4.M6 Flange nut ;  
 5.M5\*12 Cross recessed head screws ;  
 6.M5\*8 Hexagon socket head cap screws ;

ECN/ECO			
REV.	DATE	Desp.	Sign
-	-	-	-
-	-	-	-

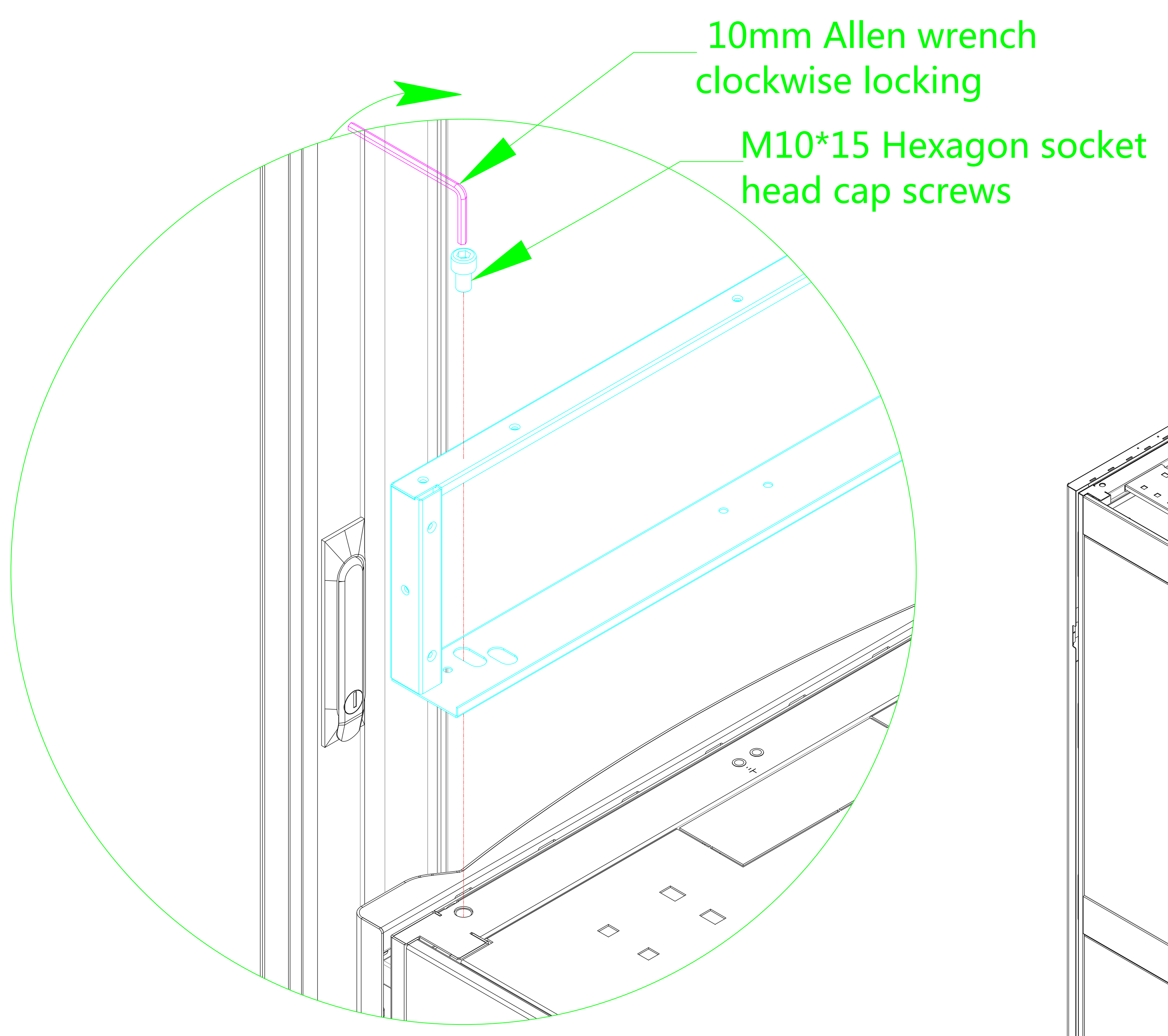
THIS DRAWING AND SPECIFICATIONS HEREIN ARE THE PROPERTY OF Rakworx AND SHALL NOT BE COPIED, REPRODUCED OR USED IN WHOLE OR IN PART, AS THE BASIS FOR THE MANUFACTURE OR SALE OF ITEMS WITHOUT WRITTEN PERMISSION FROM Rakworx. THIS DRAWING IS BASED UPON LATEST AVAILABLE INFORMATION AND IS SUBJECT TO CHANGE WITHOUT NOTICE.

Name	Date	Description	Drawing No.
Drawn by Owen.Wu	20 Jan , 2016	installation instructions	ACD1200
Approved by Zunzheng.Gu	22 Jan , 2016		Unit : mm
		Scale : 1:1	Sheet: 1 OF 18

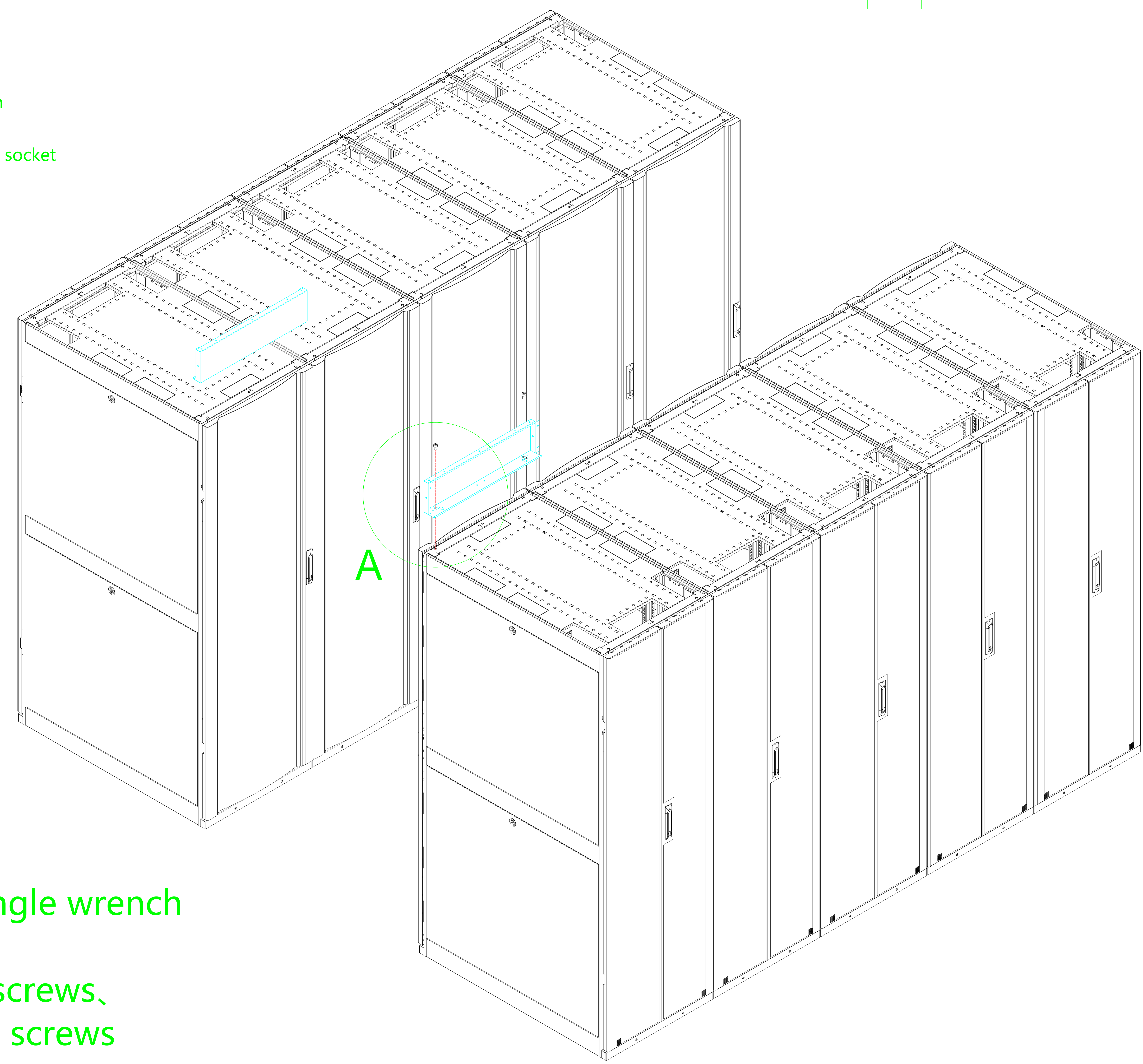




ECN/ECO			
REV.	DATE	Desp.	Sign
-	-	-	-
-	-	-	-



A  
1:5



**Installation Tools :**  
5mm and 10mm Six angle wrench

**parts :** Padding block  
M5\*12 Hexagon socket head cap screws,  
M10\*15 Hexagon socket head cap screws

**Precautions:**  
1. Booster block uses screw holes in the cabinet ceiling fixed locking.

>400=1000	±0.8
>120=400	±0.5
>30=120	±0.3
>6=30	±0.2
>3=6	±0.1
>0.5=3	±0.1

Tolerances/Tolerance  
ISO 2768-M

THIS DRAWING AND SPECIFICATIONS HEREIN ARE THE PROPERTY OF Rakworx AND SHALL NOT BE COPIED, REPRODUCED OR USED IN WHOLE OR IN PART, AS THE BASIS FOR THE MANUFACTURE OR SALE OF ITEMS WITHOUT WRITTEN PERMISSION FROM Rakworx. THIS DRAWING IS BASED UPON LATEST AVAILABLE INFORMATION AND IS SUBJECT TO CHANGE WITHOUT NOTICE.

	Name	Date
Drawn by	Owen.Wu	20 Jan , 2016
Approved by	Zunzheng.Gu	22 Jan , 2016

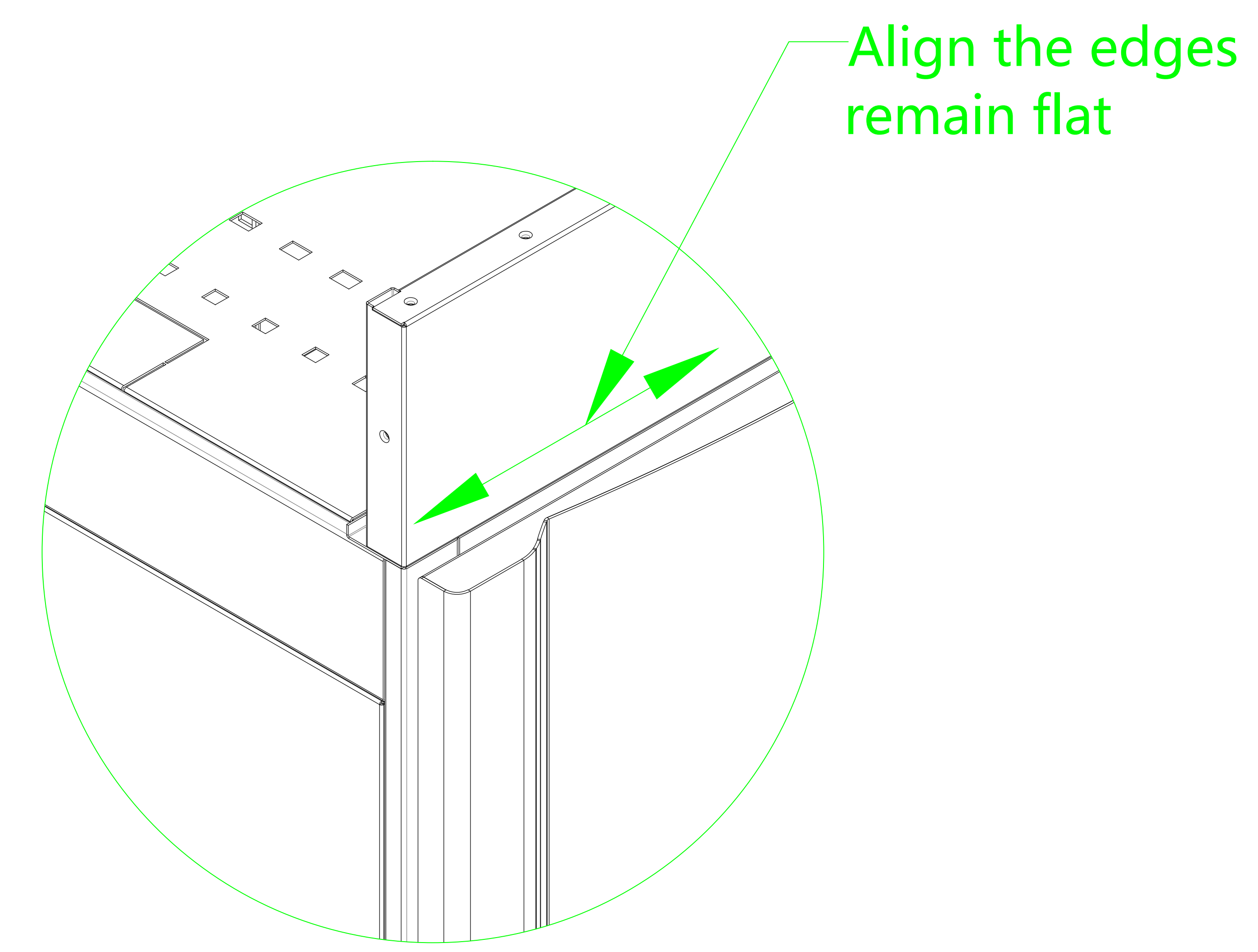
**Rakworx**

Description	Drawing No.
installation instructions	ACD1200
Scale : 1:1	Unit : mm
Third angle projection	Sheet: 2 OF 18

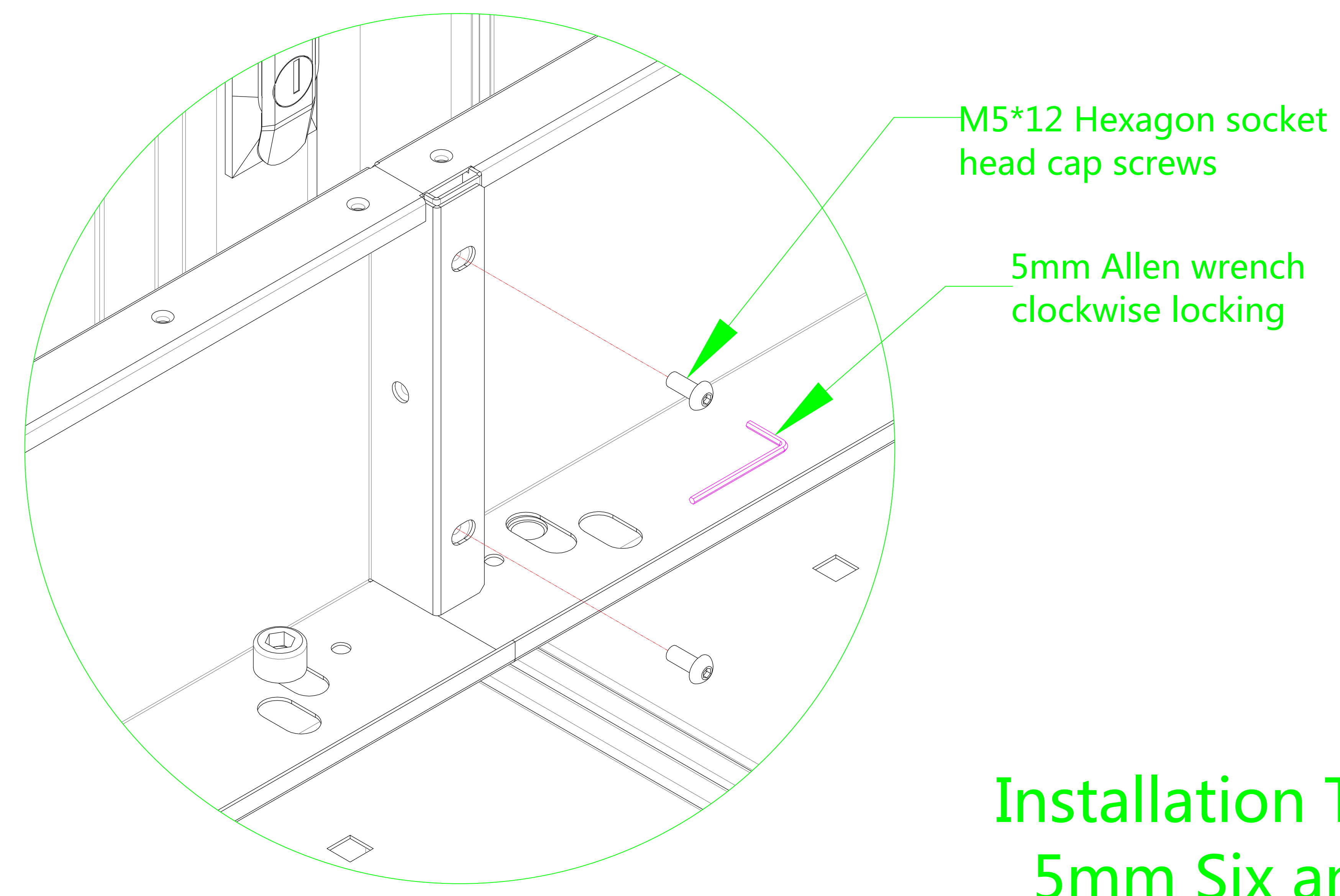


ECN/ECO			
REV.	DATE	Desp.	Sign
-	-	-	-
-	-	-	-

Tolerances/Tolerance ISO 2768-M	>0.5=3 ±0.1	>3=6 ±0.1	>6=30 ±0.2	>30=120 ±0.3	>120=400 ±0.5	>400=1000 ±0.8
------------------------------------	----------------	--------------	---------------	-----------------	------------------	-------------------

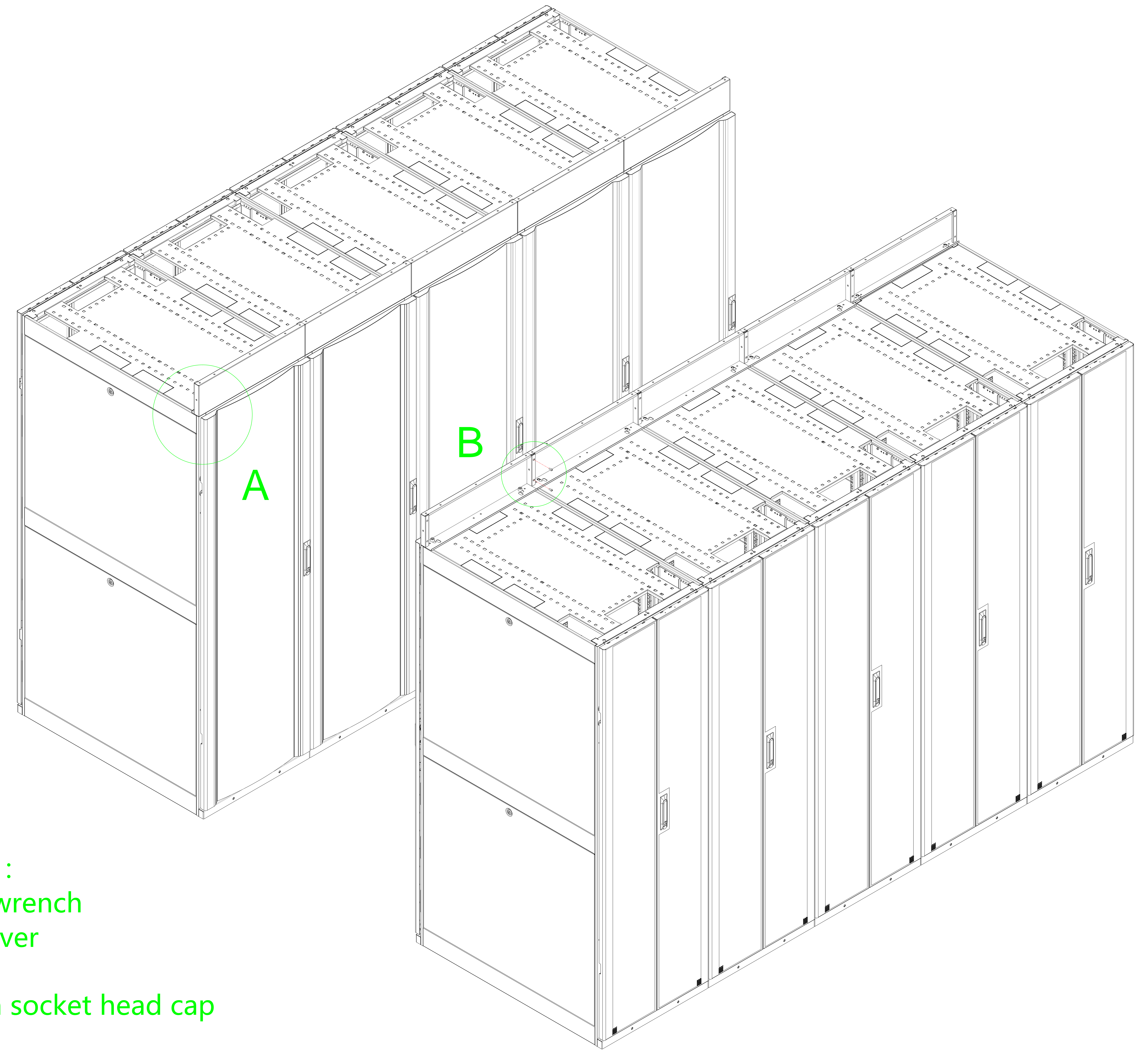


A  
1:5



B  
1:5

- Installation Tools :  
 5mm Six angle wrench  
 Phillips screwdriver
- Parts :  
 M5\*12 Hexagon socket head cap screws



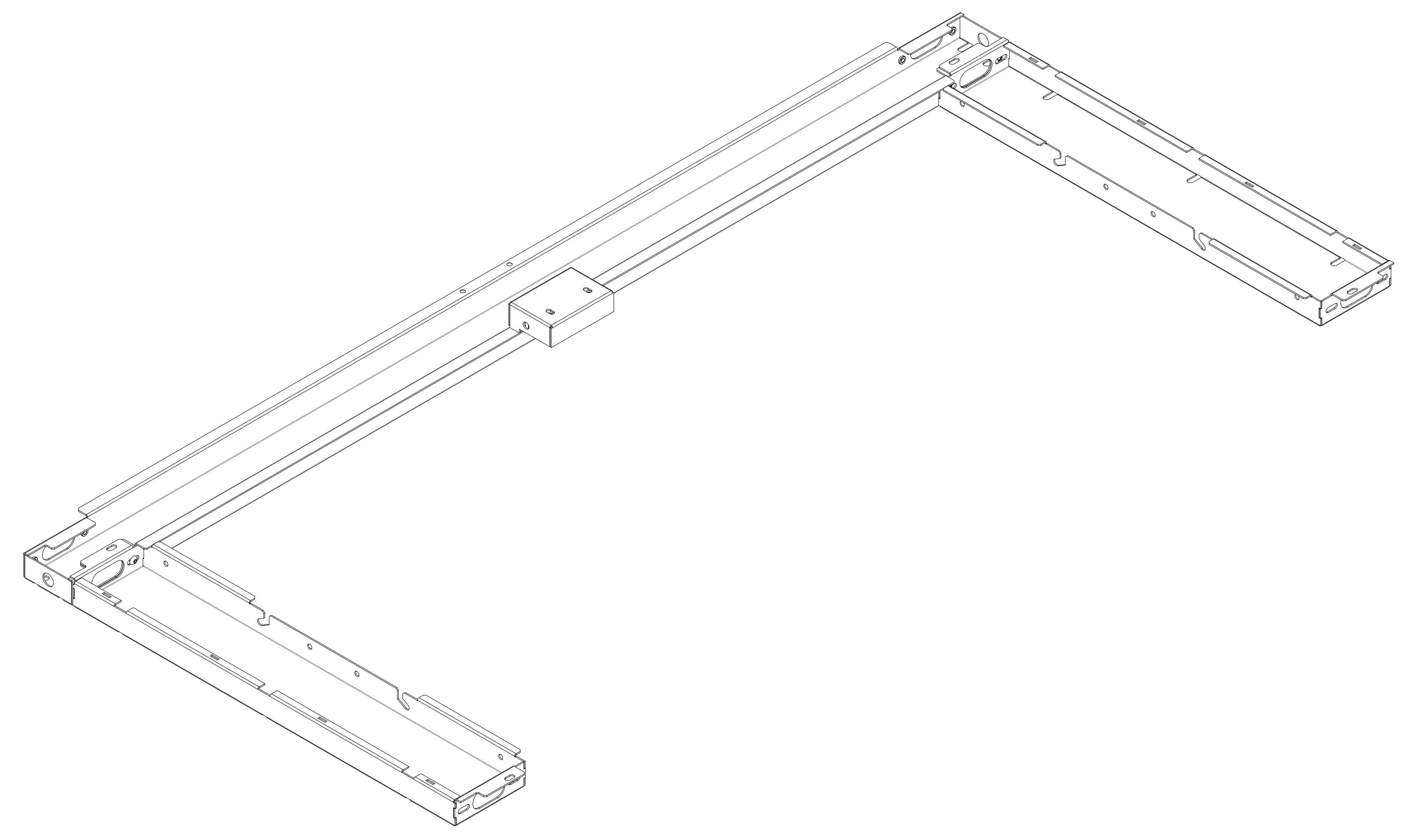
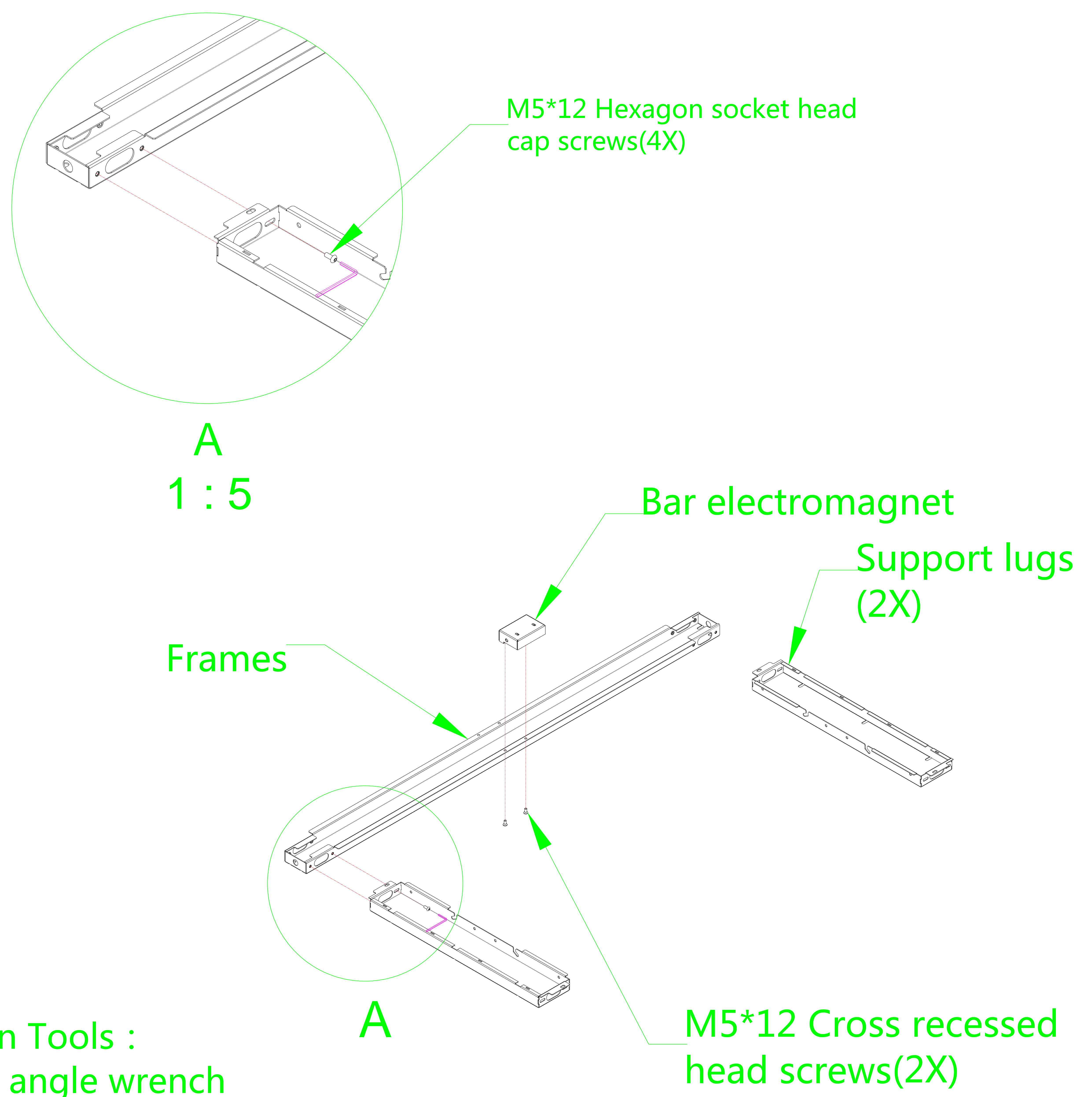
**Precautions:**  
 1.Align the edges, remain flat  
 2.Use a screw link between each other firmly

THIS DRAWING AND SPECIFICATIONS HEREIN ARE THE PROPERTY OF Rakworx AND SHALL NOT BE COPIED, REPRODUCED OR USED IN WHOLE OR IN PART, AS THE BASIS FOR THE MANUFACTURE OR SALE OF ITEMS WITHOUT WRITTEN PERMISSION FROM Rakworx. THIS DRAWING IS BASED UPON LATEST AVAILABLE INFORMATION AND IS SUBJECT TO CHANGE WITHOUT NOTICE.

Name	Date	Description	Drawing No.
Drawn by Owen.Wu	20 Jan , 2016	installation instructions	ACD1200
Approved by Zunzheng.Gu	22 Jan , 2016		Unit : mm
		Scale : 1:1	Sheet: 3 OF 18



ECN/ECO			
REV.	DATE	Desp.	Sign
-	-	-	-
-	-	-	-



Schematic diagram

Installation Tools :  
 5mm Six angle wrench  
 Phillips screwdriver

Parts :  
 M5\*12 Hexagon socket head cap screws  
 M5\*12 Cross recessed head screws

Precautions:  
 1.The frame components installed securely.

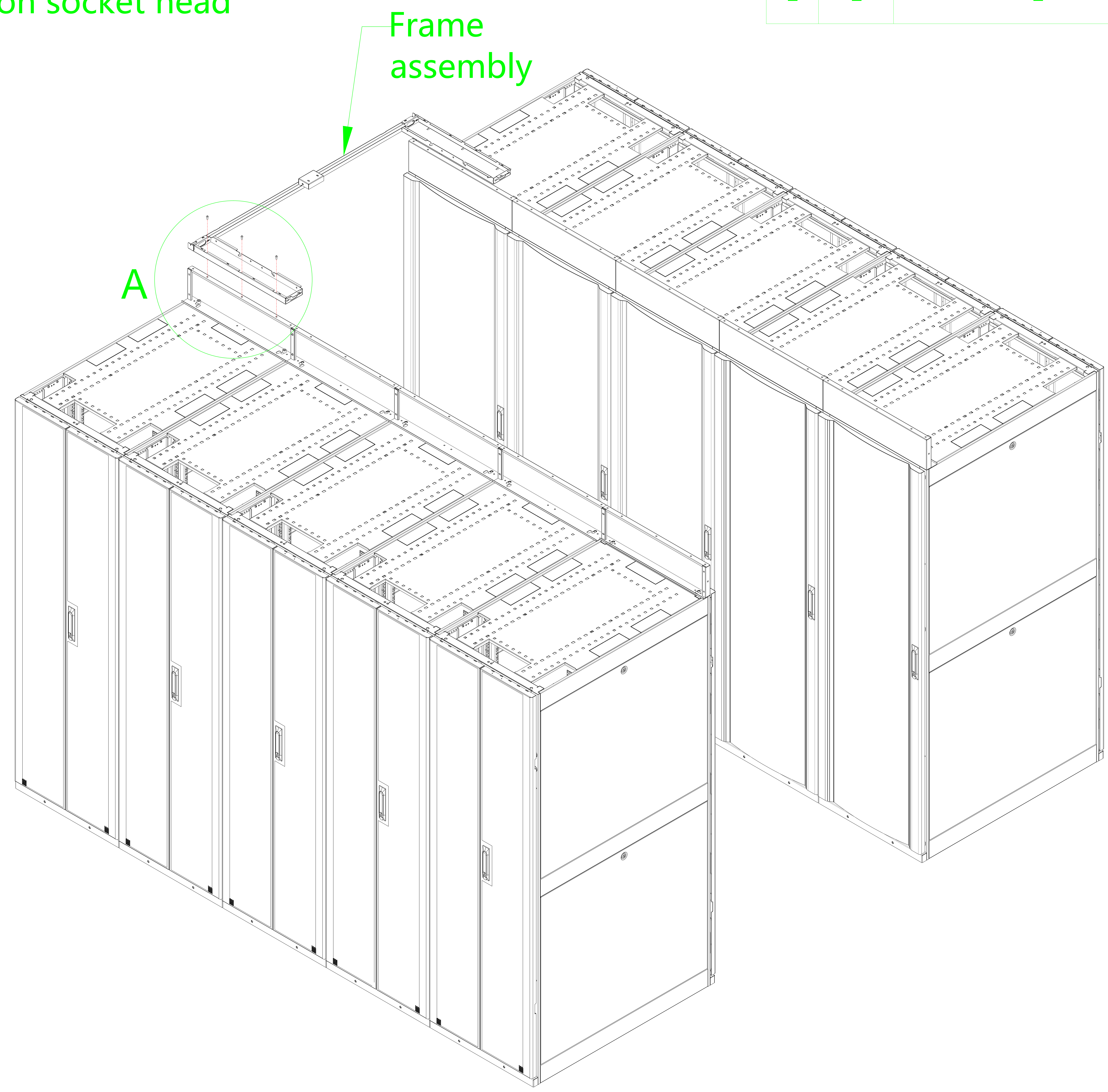
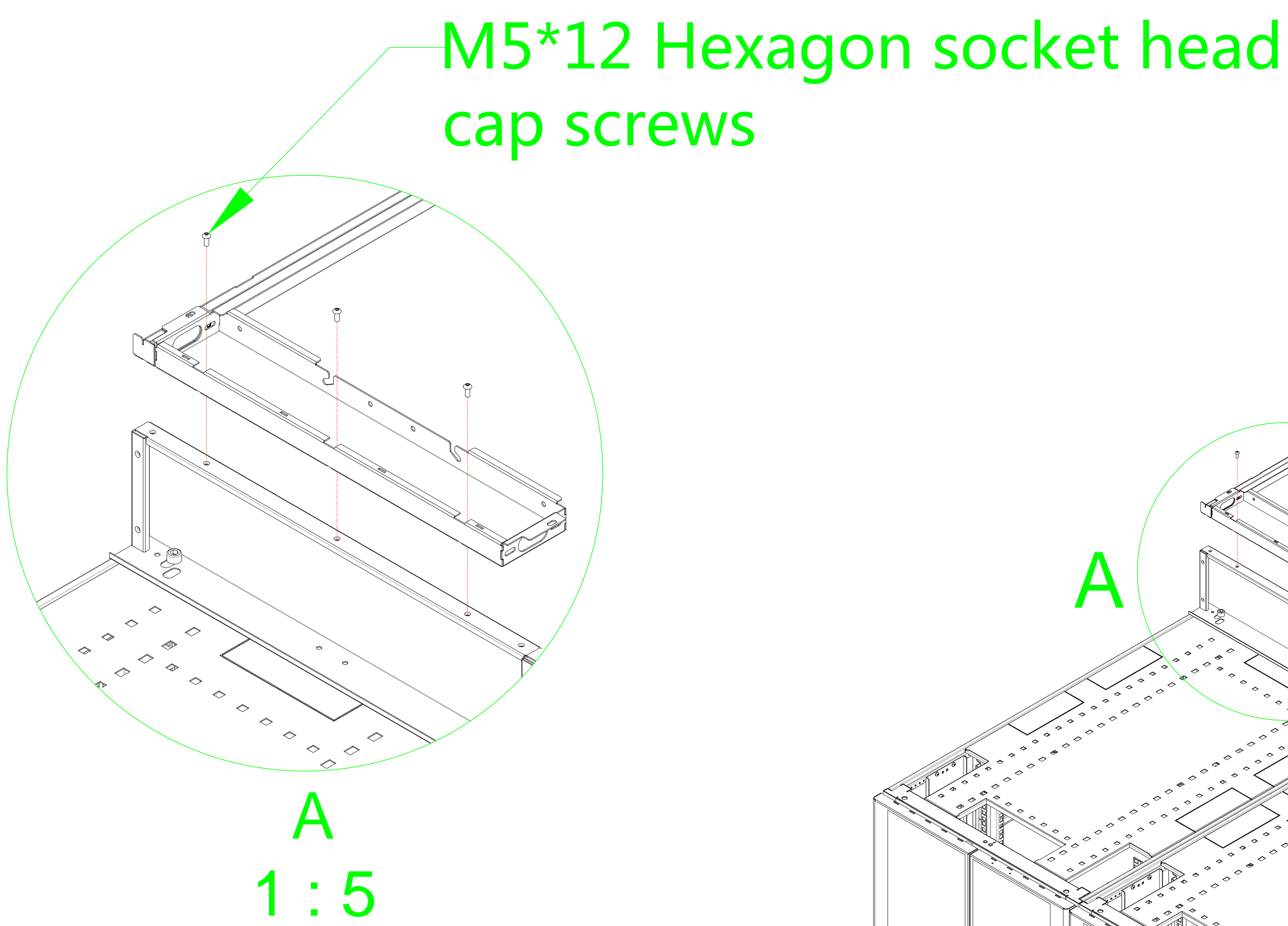
Tolerances/Tolerance ISO 2768-M	>0.5=3 ±0.1	>3=6 ±0.1	>6=30 ±0.2	>30=120 ±0.3	>120=400 ±0.5	>400=1000 ±0.8
---------------------------------	----------------	--------------	---------------	-----------------	------------------	-------------------

THIS DRAWING AND SPECIFICATIONS HEREIN ARE THE PROPERTY OF Rakworx AND SHALL NOT BE COPIED, REPRODUCED OR USED IN WHOLE OR IN PART, AS THE BASIS FOR THE MANUFACTURE OR SALE OF ITEMS WITHOUT WRITTEN PERMISSION FROM Rakworx. THIS DRAWING IS BASED UPON LATEST AVAILABLE INFORMATION AND IS SUBJECT TO CHANGE WITHOUT NOTICE.

Name	Date	Description	Drawing No.
Drawn by Owen.Wu	20 Jan , 2016	installation instructions	ACD1200
Approved by Zunzheng.Gu	22 Jan , 2016		Unit : mm
		Scale : 1:1	Sheet: 4 OF 18
		Third angle projection	



ECN/ECO			
REV.	DATE	Disp.	Sign
-	-	-	-
-	-	-	-



Tolerances/Tolerance ISO 2768-M	>0.5=3 ±0.1	>3=6 ±0.1	>6=30 ±0.2	>30=120 ±0.3	>120=400 ±0.5	>400=1000 ±0.8
------------------------------------	----------------	--------------	---------------	-----------------	------------------	-------------------

Installation Tools :  
5mm Six angle wrench  
Parts :  
M5\*12 Hexagon socket head cap screws

Precautions:  
1.The frame assembly is aligned with the locking block hanging high

THIS DRAWING AND SPECIFICATIONS HEREIN ARE THE PROPERTY OF Rakworx AND SHALL NOT BE COPIED, REPRODUCED OR USED IN WHOLE OR IN PART, AS THE BASIS FOR THE MANUFACTURE OR SALE OF ITEMS WITHOUT WRITTEN PERMISSION FROM Rakworx. THIS DRAWING IS BASED UPON LATEST AVAILABLE INFORMATION AND IS SUBJECT TO CHANGE WITHOUT NOTICE.

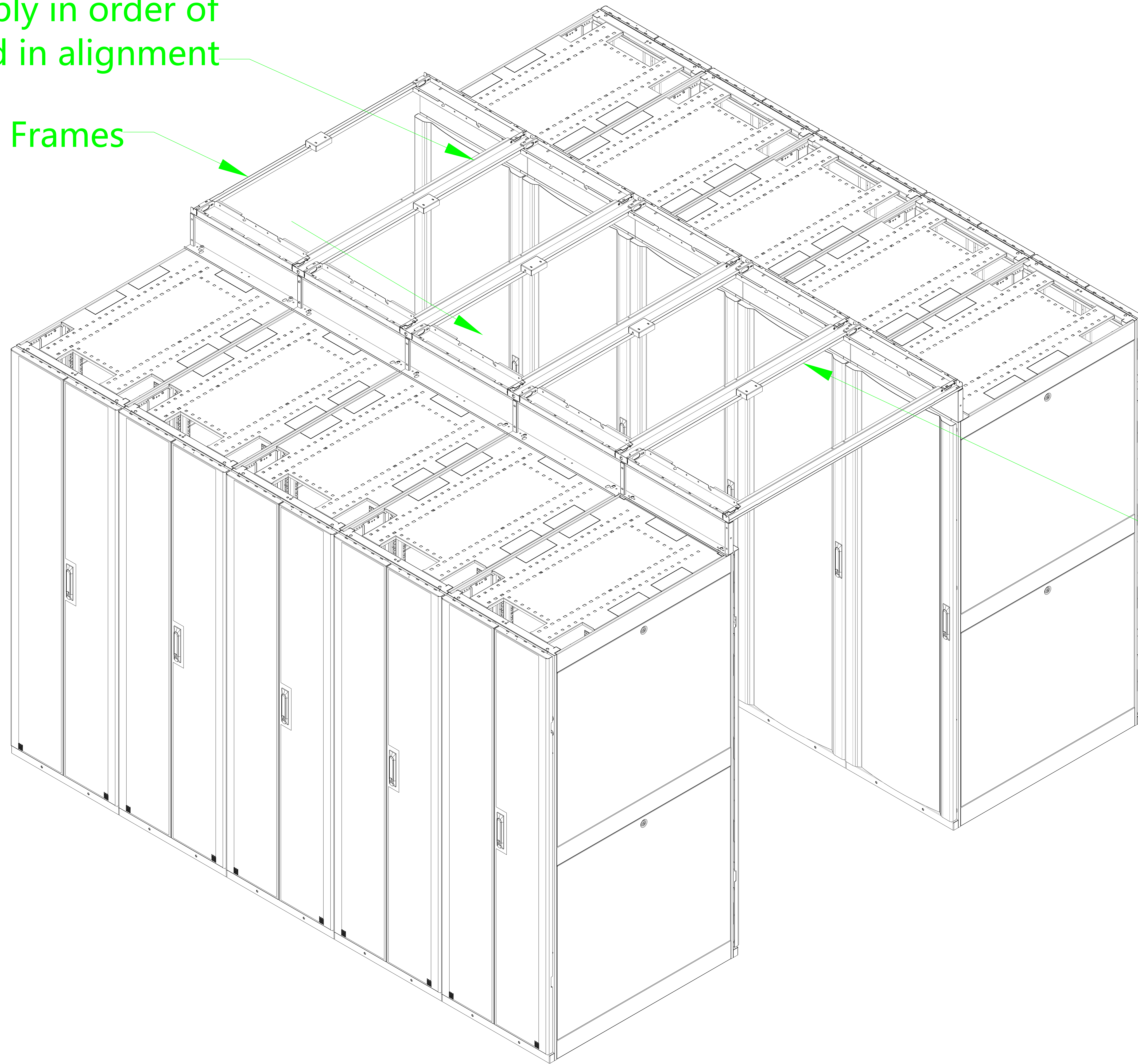
Name	Date	Description	Drawing No.
Drawn by Owen.Wu	20 Jan , 2016	installation instructions	ACD1200
Approved by Zunzheng.Gu	22 Jan , 2016		Unit : mm
		Scale : 1:1	Sheet: 5 OF 18
		Third angle projection	



ECN/ECO			
REV.	DATE	Disp.	Sign
-	-	-	-
-	-	-	-

The frame assembly in order of priority, is mounted in alignment

Frames



Frames

Installation Tools :  
5mm Six angle wrench  
Parts :  
M5\*12 Hexagon socket head cap screws

Precautions:  
1.The frame assembly in order of priority, is mounted in alignment

>400=1000	±0.8
>120=400	±0.5
>30=120	±0.3
>6=30	±0.2
>3=6	±0.1
>0.5=3	±0.1

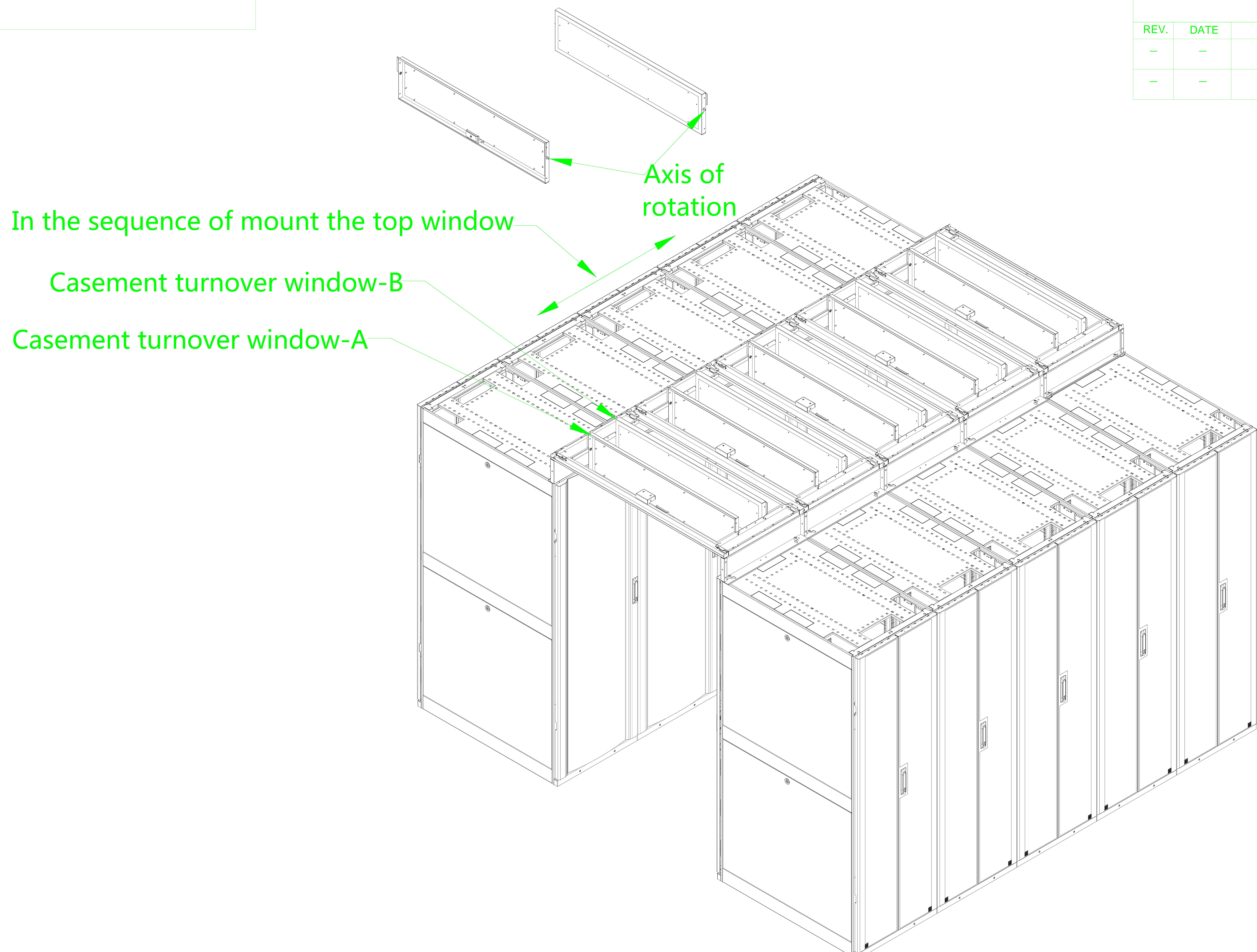
Toleranss/Tolerance  
ISO 2768-M

THIS DRAWING AND SPECIFICATIONS HEREIN ARE THE PROPERTY OF Rakworx AND SHALL NOT BE COPIED, REPRODUCED OR USED IN WHOLE OR IN PART, AS THE BASIS FOR THE MANUFACTURE OR SALE OF ITEMS WITHOUT WRITTEN PERMISSION FROM Rakworx. THIS DRAWING IS BASED UPON LATEST AVAILABLE INFORMATION AND IS SUBJECT TO CHANGE WITHOUT NOTICE.

Name	Date	Description	Drawing No.
Drawn by Owen.Wu	20 Jan , 2016	installation instructions	ACD1200
Approved by Zunzheng.Gu	22 Jan , 2016		Unit : mm
		Scale : 1:1	Sheet: 6 OF 18
		Third angle projection	



ECN/ECO			
REV.	DATE	Desp.	Sign
-	-	-	-
-	-	-	-



>400=1000	±0.8
>120=400	±0.5
>30=120	±0.3
>6=30	±0.2
>3=6	±0.1
>0.5=3	±0.1

Tolerances/Tolerance  
ISO 2768-M

Precautions:  
1. Roof windows, tool-free installation

THIS DRAWING AND SPECIFICATIONS HEREIN ARE THE PROPERTY OF Rakworx AND SHALL NOT BE COPIED, REPRODUCED OR USED IN WHOLE OR IN PART, AS THE BASIS FOR THE MANUFACTURE OR SALE OF ITEMS WITHOUT WRITTEN PERMISSION FROM Rakworx. THIS DRAWING IS BASED UPON LATEST AVAILABLE INFORMATION AND IS SUBJECT TO CHANGE WITHOUT NOTICE.

	Name	Date
Drawn by	Owen.Wu	20 Jan , 2016
Approved by	Zunzheng.Gu	22 Jan , 2016

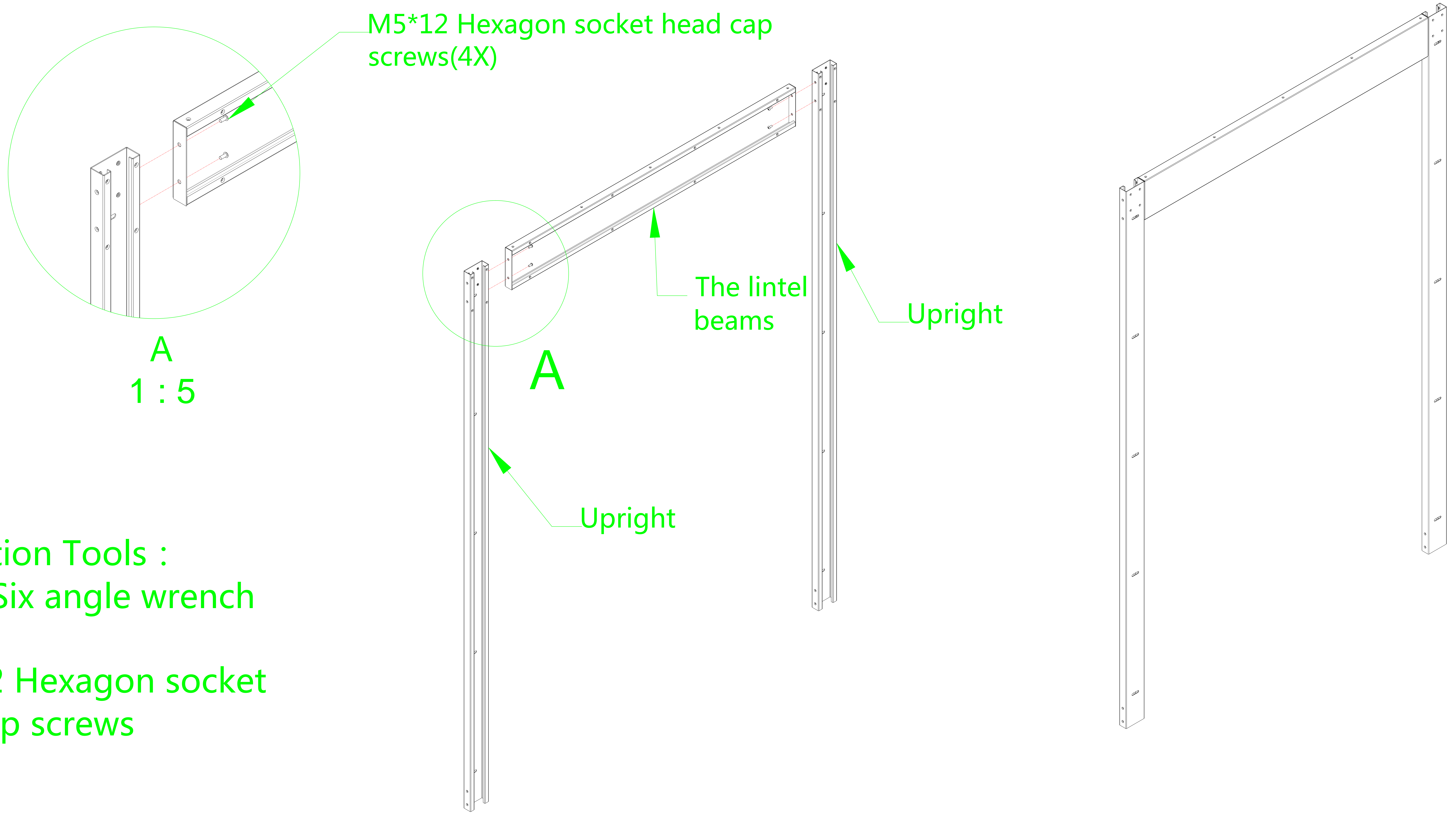


Description	Drawing No.
installation instructions	ACD1200
Scale : 1:1	Unit : mm
Third angle projection	Sheet: 7 OF 18



ECN/ECO			
REV.	DATE	Desp.	Sign
-	-	-	-
-	-	-	-

>0.5=3	±0.1
>3=6	±0.1
>6=30	±0.2
>30=120	±0.3
>120=400	±0.5
>400=1000	±0.8
<b>Tolerances/Tolerance</b>	
<b>ISO 2768-M</b>	



**Installation Tools :**  
5mm Six angle wrench

**Parts :**  
M5\*12 Hexagon socket head cap screws

**Precautions:**  
1.The lintel beams and columns using the locking screw

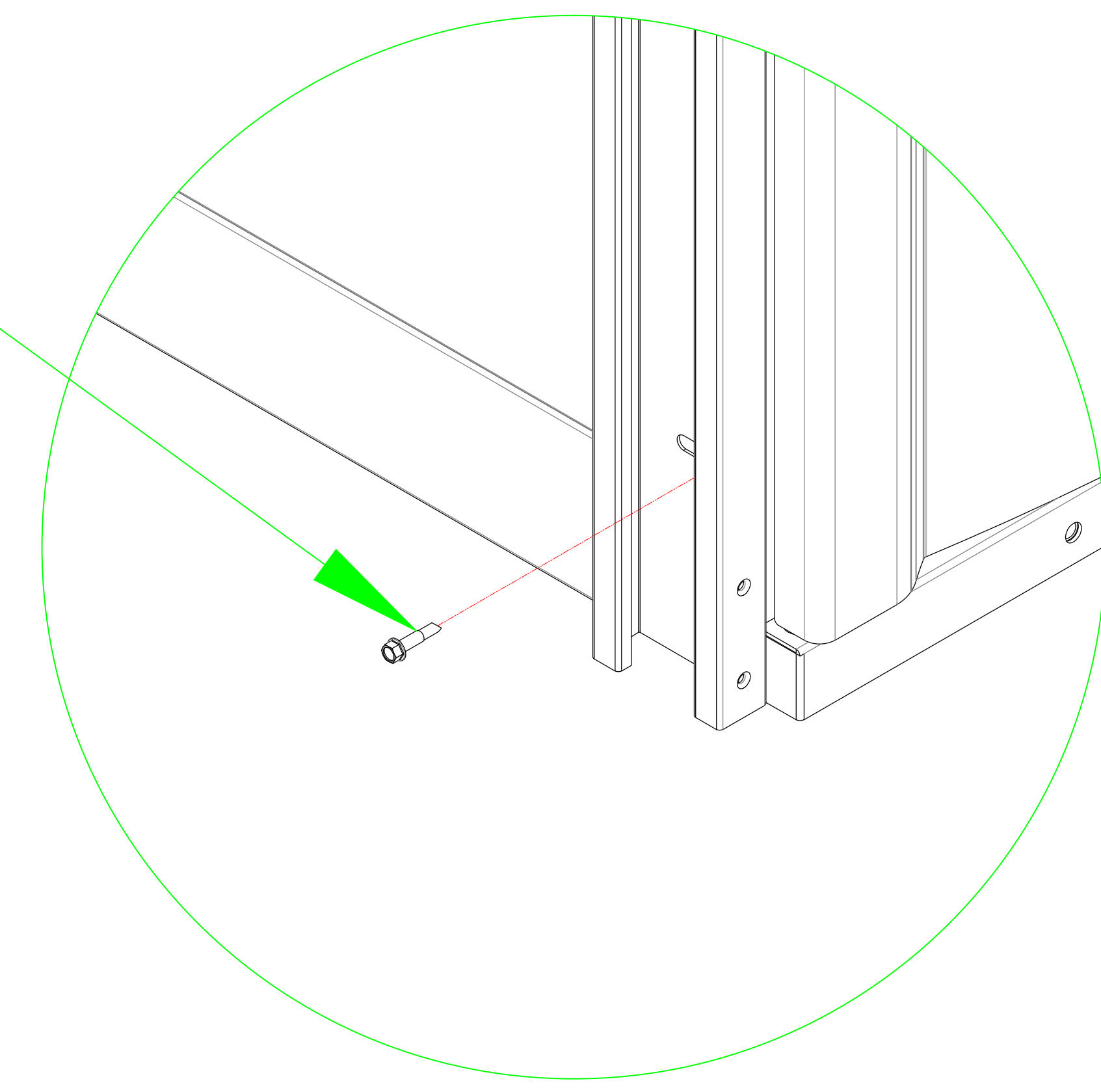
THIS DRAWING AND SPECIFICATIONS HEREIN ARE THE PROPERTY OF Rakworx AND SHALL NOT BE COPIED, REPRODUCED OR USED IN WHOLE OR IN PART, AS THE BASIS FOR THE MANUFACTURE OR SALE OF ITEMS WITHOUT WRITTEN PERMISSION FROM Rakworx. THIS DRAWING IS BASED UPON LATEST AVAILABLE INFORMATION AND IS SUBJECT TO CHANGE WITHOUT NOTICE.

	<b>Name</b>	<b>Date</b>	<b>Description</b>	<b>Drawing No.</b>
Drawn by	Owen.Wu	20 Jan , 2016	installation instructions	ACD1200
Approved by	Zunzheng.Gu	22 Jan , 2016		Unit : mm
			Scale : 1:1	Sheet: 8 OF 18
			Third angle projection	



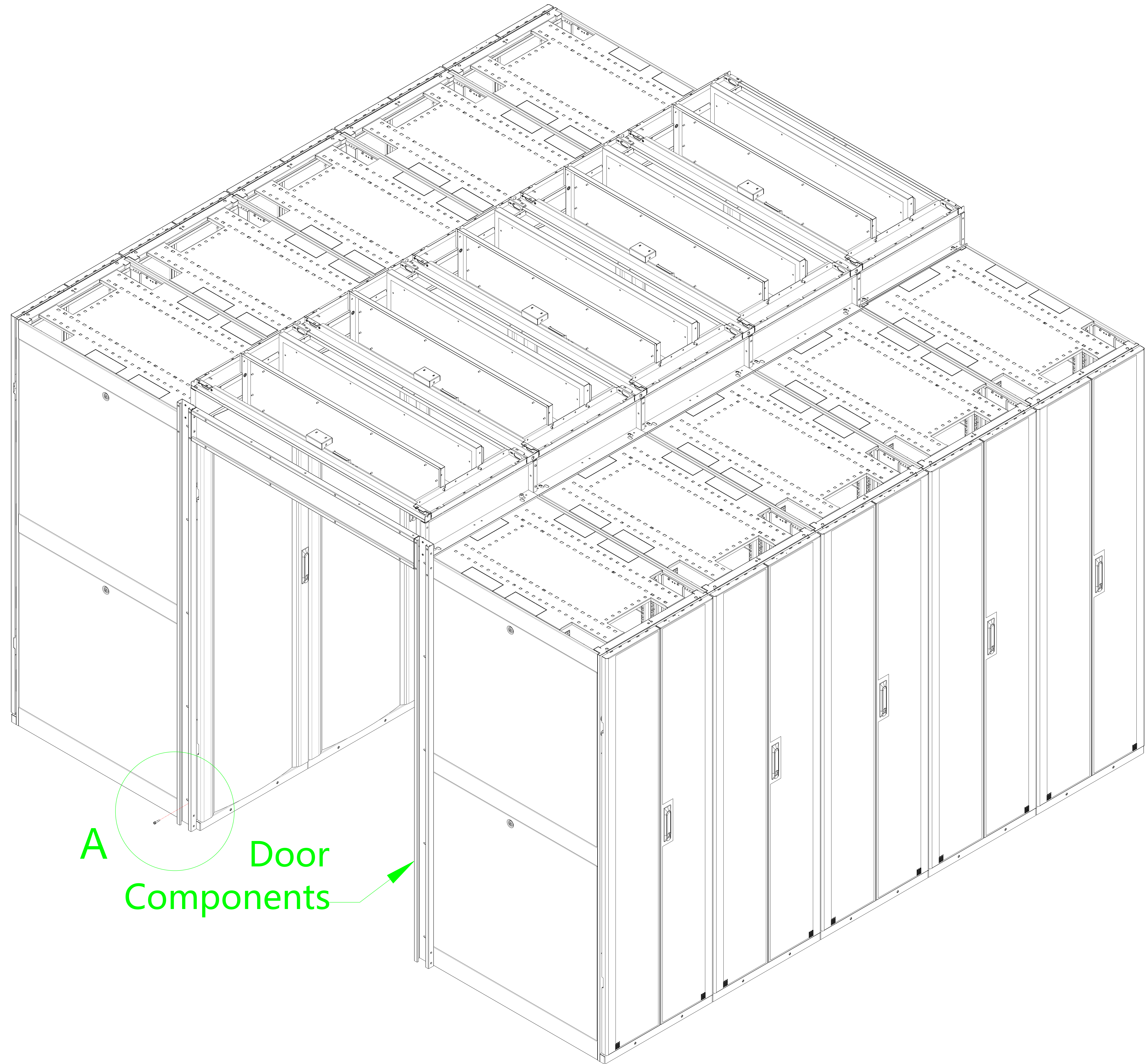
ECN/ECO			
REV.	DATE	Desp.	Sign
-	-	-	-
-	-	-	-

M5\*20 Self tapping screws(10X)



A  
1:5

Installation Tools :  
6mm Socket wrench  
Parts :  
M5\*20 Self tapping screws



A  
Door Components

Toleranss/Tolerance ISO 2768-M	>0.5=3 ±0.1	>3=6 ±0.1	>6=30 ±0.2	>30=120 ±0.3	>120=400 ±0.5	>400=1000 ±0.8
-----------------------------------	----------------	--------------	---------------	-----------------	------------------	-------------------

Precautions:  
1.The door assembly using self-tapping screws in the cabinet frame

THIS DRAWING AND SPECIFICATIONS HEREIN ARE THE PROPERTY OF Rakworx AND SHALL NOT BE COPIED, REPRODUCED OR USED IN WHOLE OR IN PART, AS THE BASIS FOR THE MANUFACTURE OR SALE OF ITEMS WITHOUT WRITTEN PERMISSION FROM Rakworx. THIS DRAWING IS BASED UPON LATEST AVAILABLE INFORMATION AND IS SUBJECT TO CHANGE WITHOUT NOTICE.

	Name	Date
Drawn by	Owen.Wu	20 Jan , 2016
Approved by	Zunzheng.Gu	22 Jan , 2016

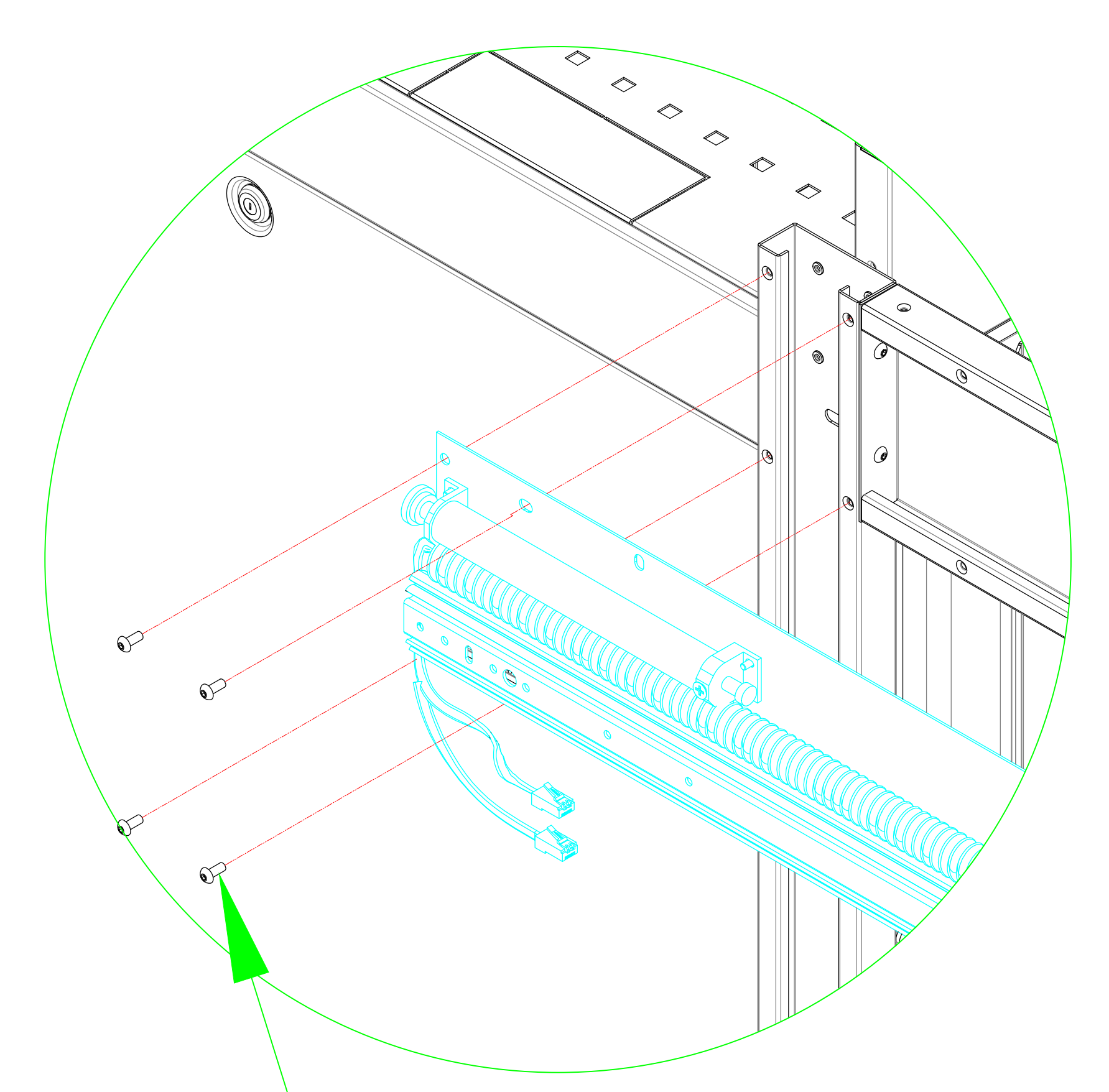


Description	Drawing No.
installation instructions	ACD1200
Scale : 1:1	Unit : mm
Third angle projection	Sheet: 9 OF 18



ECN/ECO			
REV.	DATE	Desp.	Sign
-	-	-	-
-	-	-	-

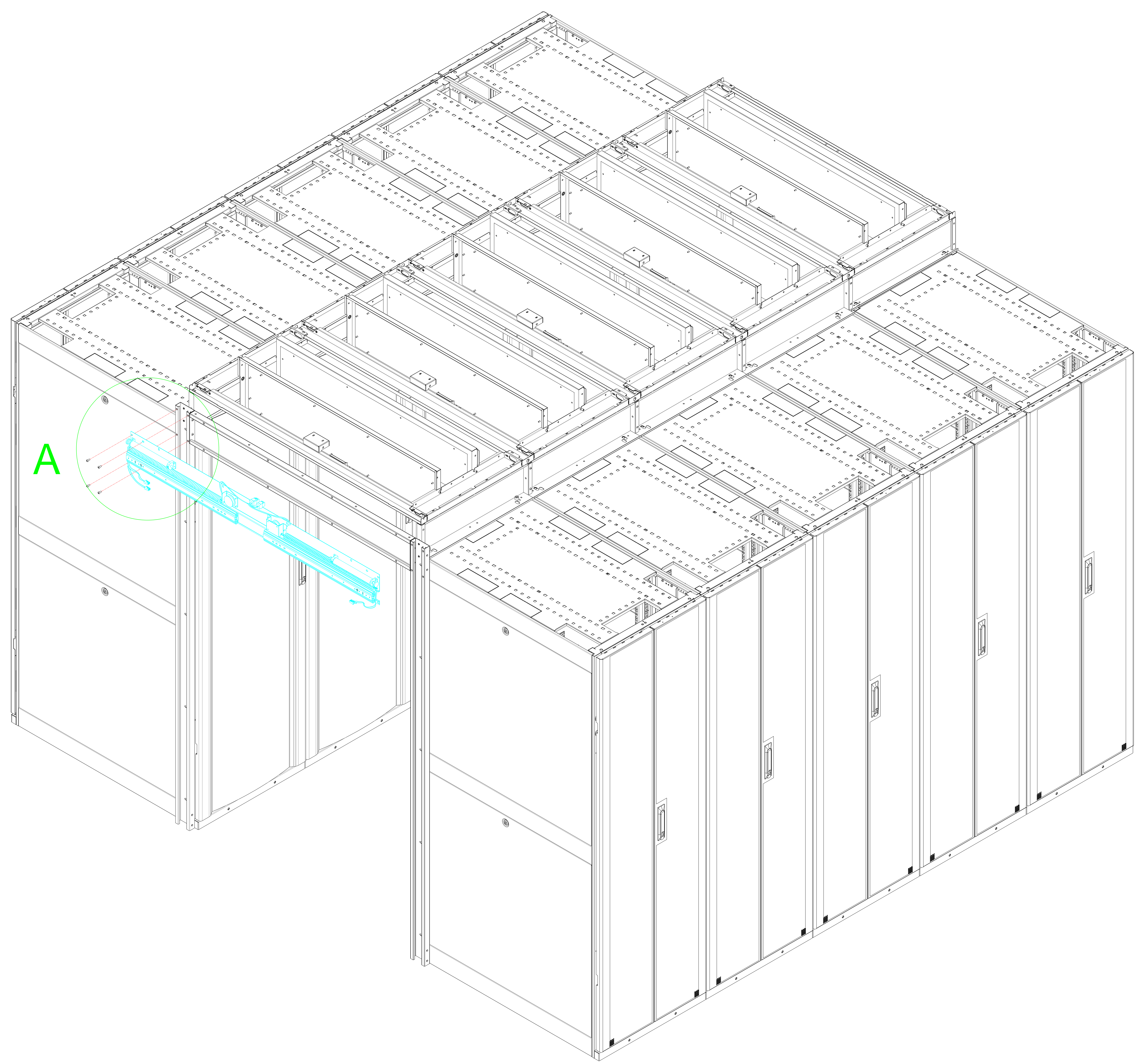
Tolerances/Tolerance ISO 2768-M	>0.5=3 ±0.1	>3=6 ±0.1	>6=30 ±0.2	>30=120 ±0.3	>120=400 ±0.5	>400=1000 ±0.8
------------------------------------	----------------	--------------	---------------	-----------------	------------------	-------------------



A  
1:5

M5\*12 Hexagon socket head cap screws(16X)

Installation Tools :  
5mm Six angle wrench  
Parts :  
M5\*12 Hexagon socket head cap screws



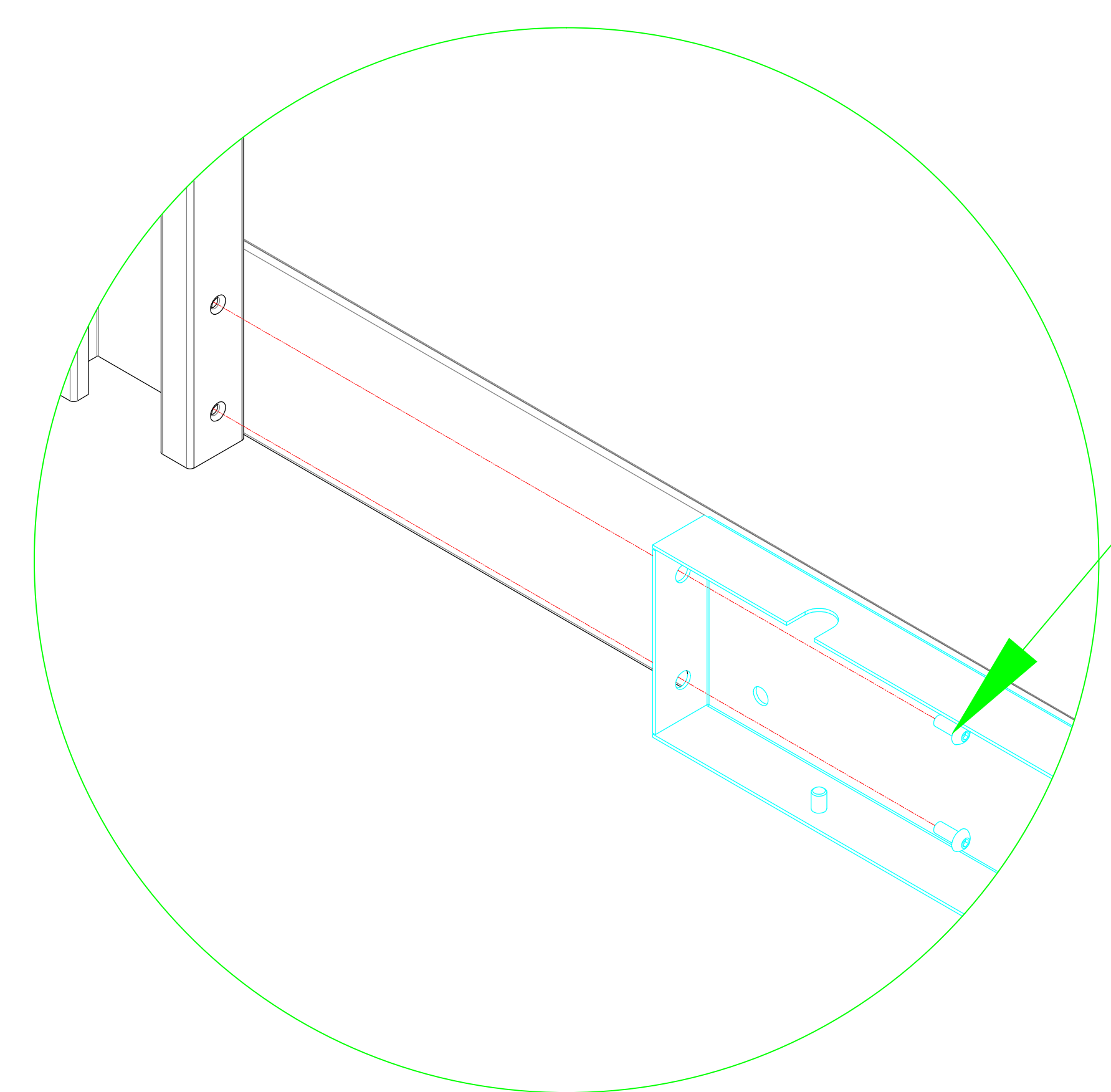
Precautions:  
1.The lintel component uses screws in the door frame assembly

THIS DRAWING AND SPECIFICATIONS HEREIN ARE THE PROPERTY OF Rakworx AND SHALL NOT BE COPIED, REPRODUCED OR USED IN WHOLE OR IN PART, AS THE BASIS FOR THE MANUFACTURE OR SALE OF ITEMS WITHOUT WRITTEN PERMISSION FROM Rakworx. THIS DRAWING IS BASED UPON LATEST AVAILABLE INFORMATION AND IS SUBJECT TO CHANGE WITHOUT NOTICE.

Name	Date	Description	Drawing No.
Drawn by Owen.Wu	20 Jan , 2016	installation instructions	ACD1200
Approved by Zunzheng.Gu	22 Jan , 2016		Unit : mm
		Scale : 1:1	Sheet: 10 OF 18
		Third angle projection	

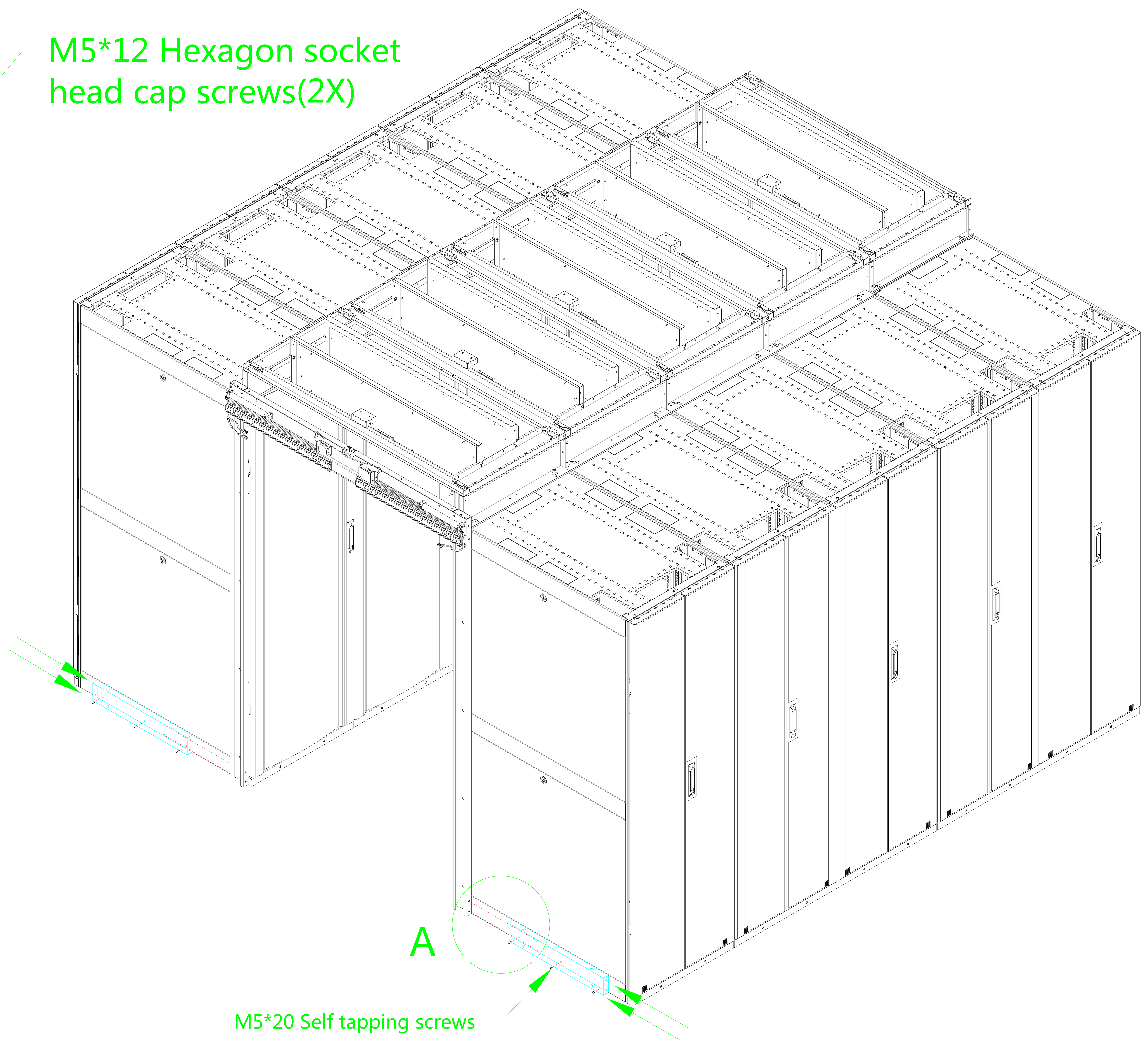


ECN/ECO			
REV.	DATE	Desp.	Sign
-	-	-	-
-	-	-	-



M5\*12 Hexagon socket head cap screws(2X)

A  
1:5



A  
M5\*20 Self tapping screws

**Installation Tools :**  
 6mm Socket wrench  
 5mm Six angle wrench  
**Parts :**  
 M5\*20 Self tapping screws  
 M5\*12 Hexagon socket head cap screws

**Precautions:**  
 1.The lower rail fixing plate using the screws on the door assembly  
 2.Use self-tapping screws fixing the lock plate in the bottom of the cabinet beams

Toleranss/Tolerance	>0.5=3	>3=6	>6=30	>30=120	>120=400	>400=1000
ISO 2768-M	±0.1	±0.1	±0.2	±0.3	±0.5	±0.8

THIS DRAWING AND SPECIFICATIONS HEREIN ARE THE PROPERTY OF Rakworx AND SHALL NOT BE COPIED, REPRODUCED OR USED IN WHOLE OR IN PART, AS THE BASIS FOR THE MANUFACTURE OR SALE OF ITEMS WITHOUT WRITTEN PERMISSION FROM Rakworx. THIS DRAWING IS BASED UPON LATEST AVAILABLE INFORMATION AND IS SUBJECT TO CHANGE WITHOUT NOTICE.

	Name	Date
Drawn by	Owen.Wu	20 Jan , 2016
Approved by	Zunzheng.Gu	22 Jan , 2016

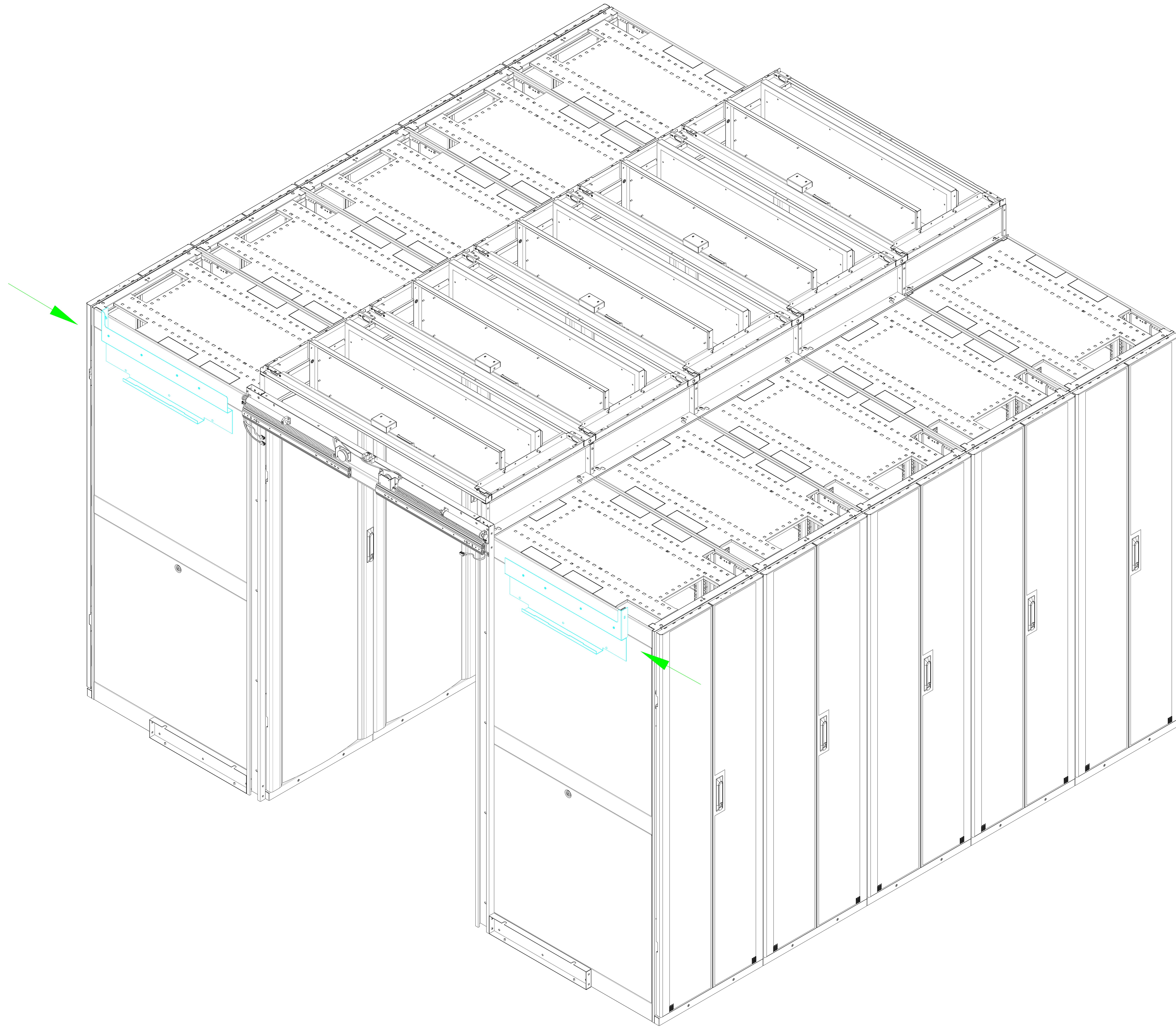


Description	Drawing No.
installation instructions	ACD1200
Scale : 1:1	Unit : mm
Third angle projection	Sheet: 11 OF 18



ECN/ECO			
REV.	DATE	Desp.	Sign
-	-	-	-
-	-	-	-

>0.5=3	±0.1
>3=6	±0.1
>6=30	±0.2
>30=120	±0.3
>120=400	±0.5
>400=1000	±0.8



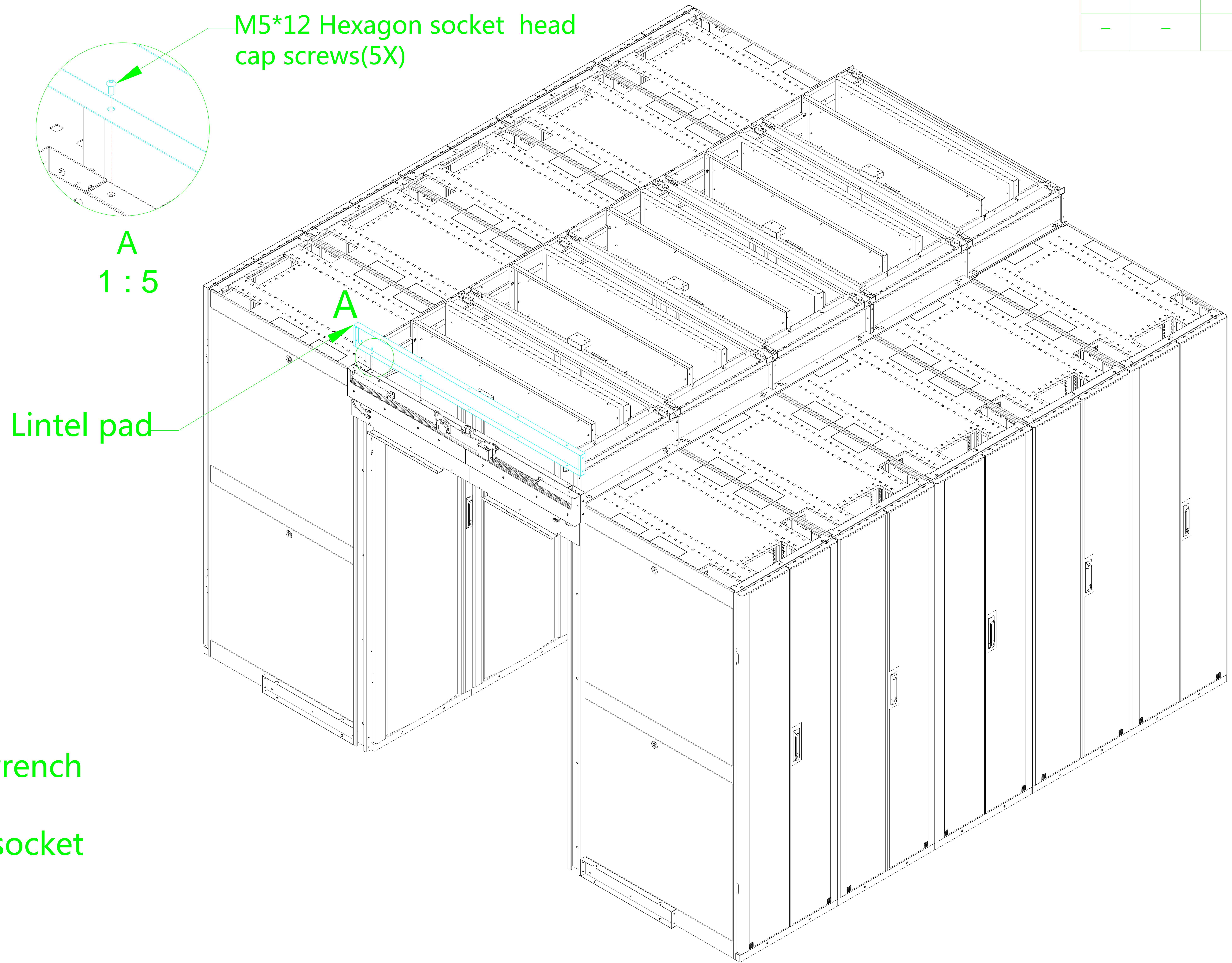
**Precautions:**  
 1.The left and right door hanging sliding plate into the buckle on the upper lintel assembly

THIS DRAWING AND SPECIFICATIONS HEREIN ARE THE PROPERTY OF Rakworx AND SHALL NOT BE COPIED, REPRODUCED OR USED IN WHOLE OR IN PART, AS THE BASIS FOR THE MANUFACTURE OR SALE OF ITEMS WITHOUT WRITTEN PERMISSION FROM Rakworx. THIS DRAWING IS BASED UPON LATEST AVAILABLE INFORMATION AND IS SUBJECT TO CHANGE WITHOUT NOTICE.

Name	Date	Description	Drawing No.
Drawn by Owen.Wu	20 Jan , 2016	installation instructions	ACD1200
Approved by Zunzheng.Gu	22 Jan , 2016		Unit : mm
		Scale : 1:1	Sheet: 12 OF 18
		Third angle projection	



ECN/ECO			
REV.	DATE	Disp.	Sign
-	-	-	-
-	-	-	-



M5\*12 Hexagon socket head cap screws(5X)

A  
1:5

Lintel pad

Installation Tools :  
5mm Six angle wrench  
Parts :  
M5\*12 Hexagon socket head cap screws

>400=1000	±0.8
>120=400	±0.5
>30=120	±0.3
>6=30	±0.2
>3=6	±0.1
>0.5=3	±0.1

Toleranss/Tolerance  
ISO 2768-M

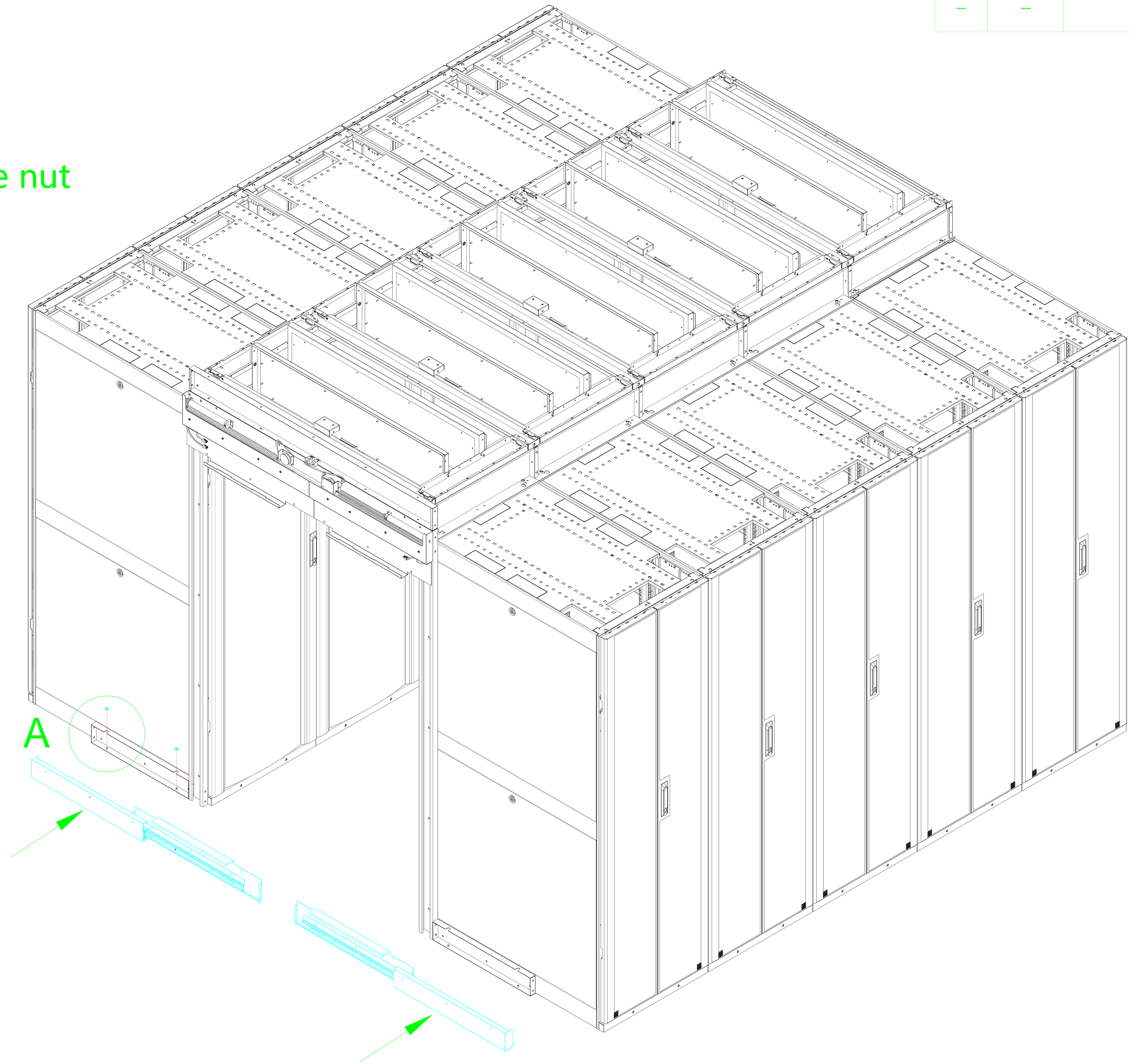
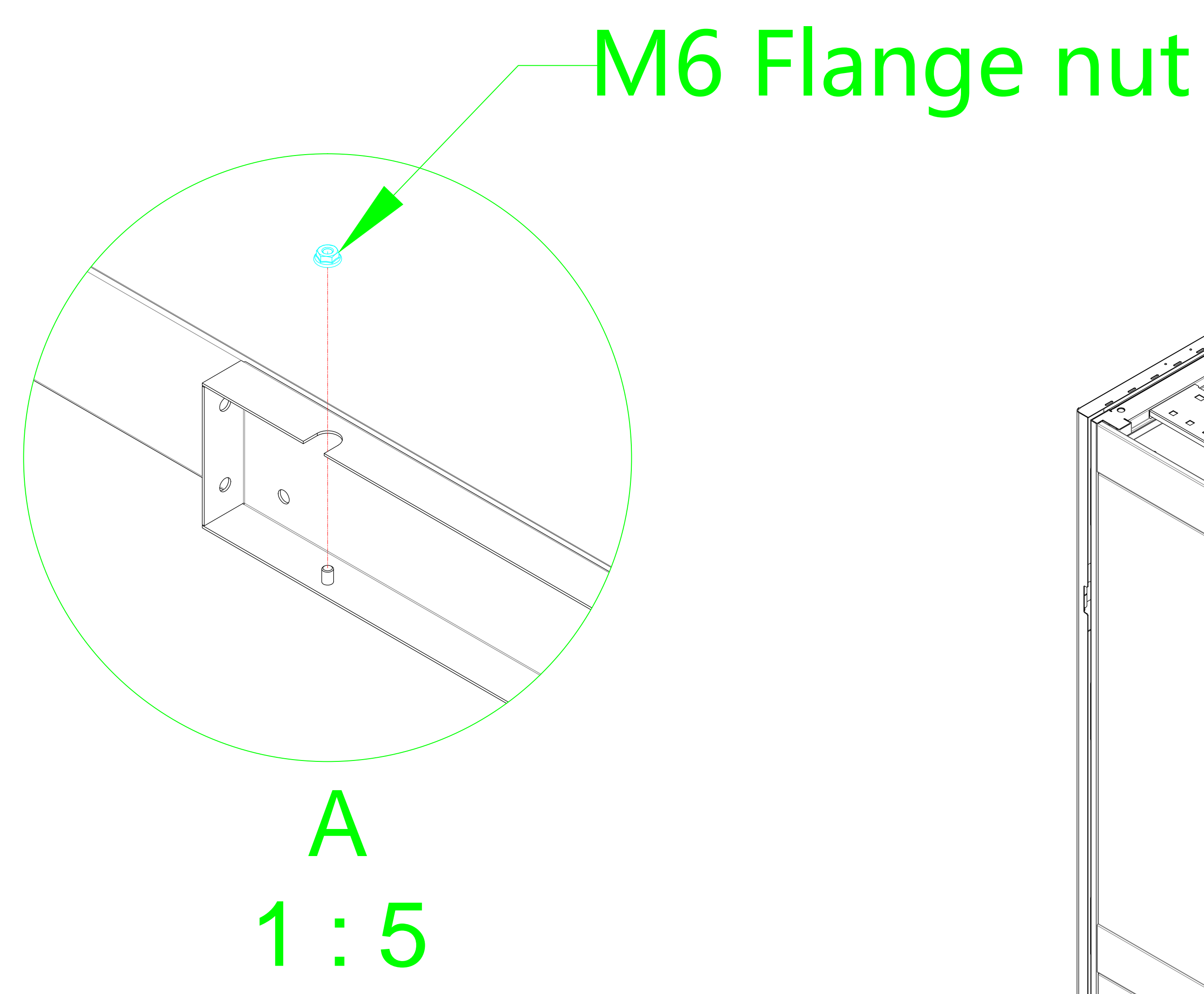
Precautions:  
1.The Lintel pad using screws in the lintel assembly

THIS DRAWING AND SPECIFICATIONS HEREIN ARE THE PROPERTY OF Rakworx AND SHALL NOT BE COPIED, REPRODUCED OR USED IN WHOLE OR IN PART, AS THE BASIS FOR THE MANUFACTURE OR SALE OF ITEMS WITHOUT WRITTEN PERMISSION FROM Rakworx. THIS DRAWING IS BASED UPON LATEST AVAILABLE INFORMATION AND IS SUBJECT TO CHANGE WITHOUT NOTICE.

Name	Date	Description	Drawing No.
Drawn by Owen.Wu	20 Jan , 2016	installation instructions	ACD1200
Approved by Zunzheng.Gu	22 Jan , 2016		Unit : mm
		Scale : 1:1	Sheet: 13 OF 18
		Third angle projection	



ECN/ECO			
REV.	DATE	Desp.	Sign
-	-	-	-
-	-	-	-



Installation Tools :  
 10mm Socket wrench  
 Parts :  
 M6 Flange nut

>400=1000	±0.8
>120=400	±0.5
>30=120	±0.3
>6=30	±0.2
>3=6	±0.1
>0.5=3	±0.1

Tolerances/Tolerance  
 ISO 2768-M

Precautions:  
 1.The rail assembly snap into the mounting plate, use the flange nut

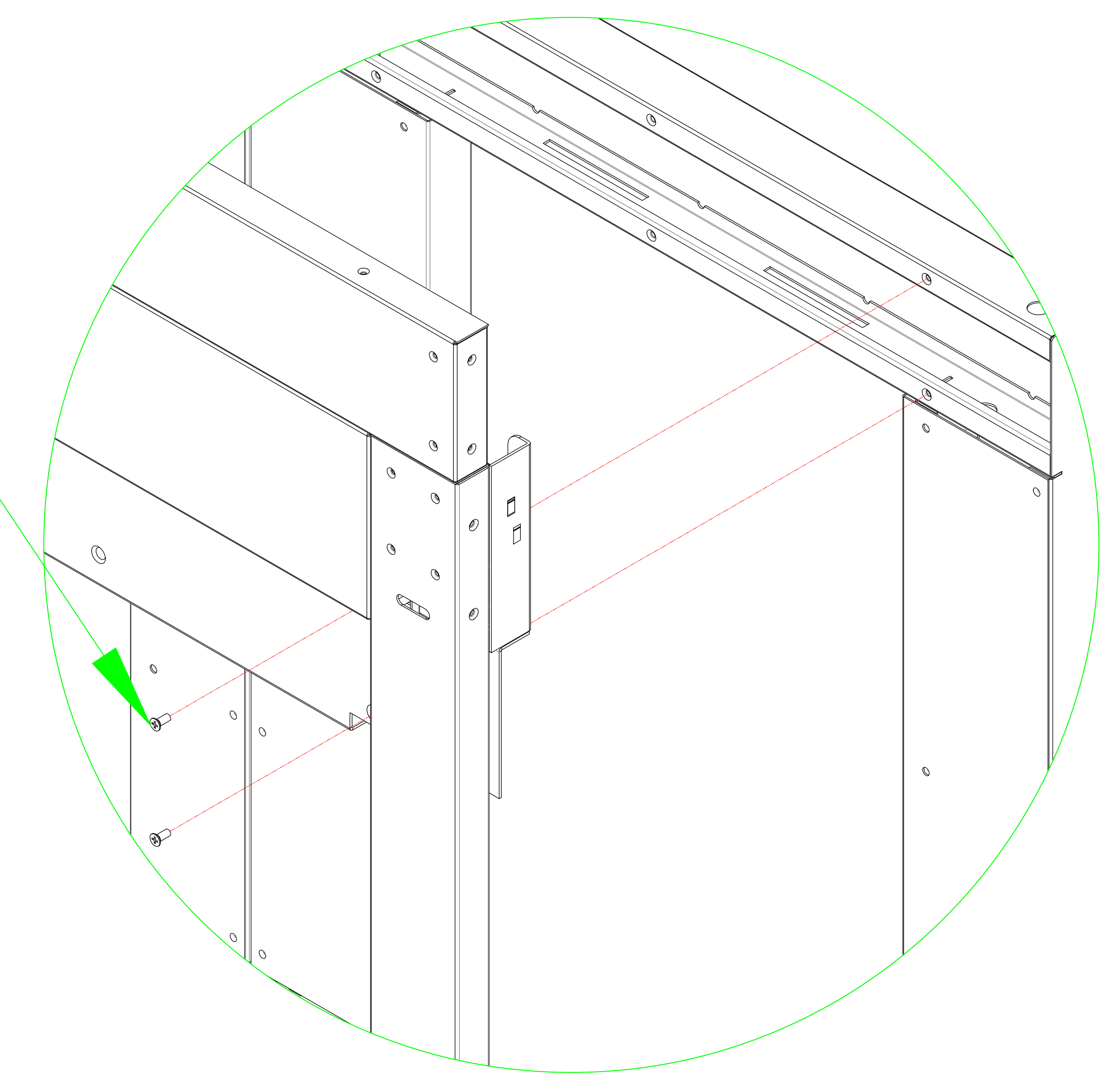
THIS DRAWING AND SPECIFICATIONS HEREIN ARE THE PROPERTY OF Rakworx AND SHALL NOT BE COPIED, REPRODUCED OR USED IN WHOLE OR IN PART, AS THE BASIS FOR THE MANUFACTURE OR SALE OF ITEMS WITHOUT WRITTEN PERMISSION FROM Rakworx. THIS DRAWING IS BASED UPON LATEST AVAILABLE INFORMATION AND IS SUBJECT TO CHANGE WITHOUT NOTICE.

Name	Date	Description	Drawing No.
Drawn by Owen.Wu	20 Jan , 2016	installation instructions	ACD1200
Approved by Zunzheng.Gu	22 Jan , 2016		Unit : mm
		Scale : 1:1	Sheet: 14 OF 18
		Third angle projection	



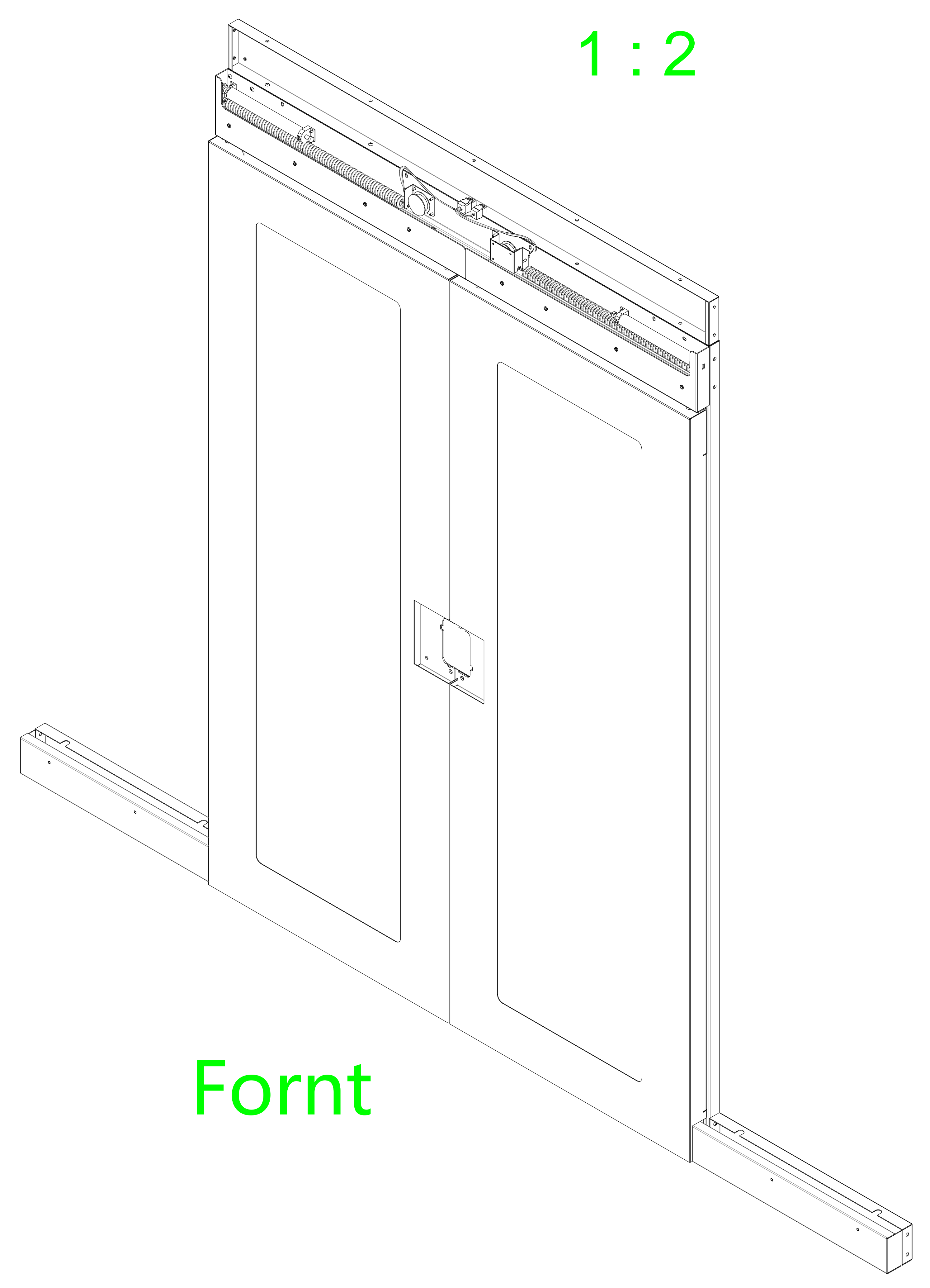
ECN/ECO			
REV.	DATE	Desp.	Sign
-	-	-	-
-	-	-	-

M5\*12 Cross recessed head screws(9X)

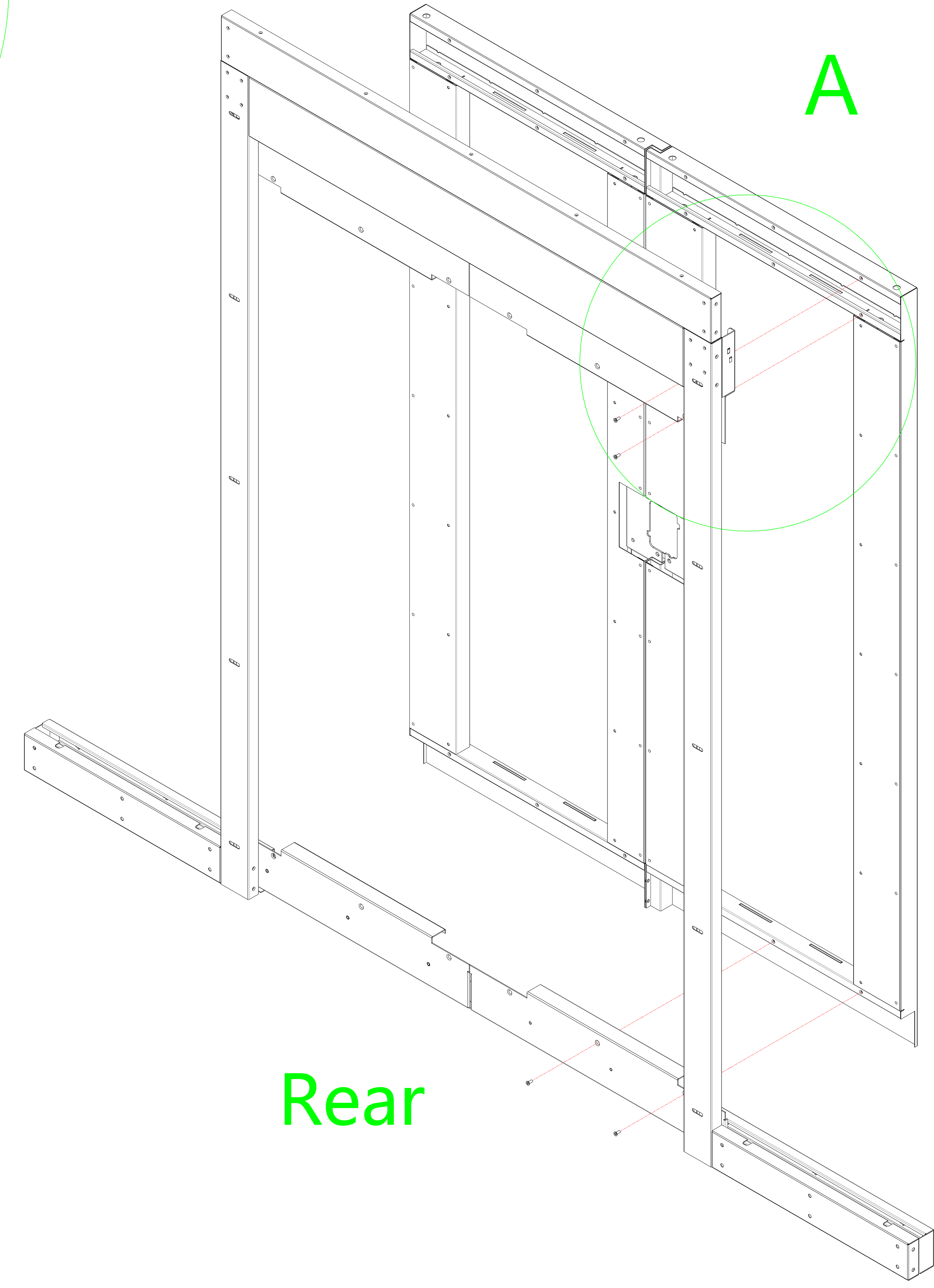


A  
1:2

Installation Tools :  
5mm Six angle wrench  
Parts :  
M5\*12 Cross recessed head screws



Fornt



Rear

A

Toleranass/Tolerance ISO 2768-M	>0.5=3	±0.1
	>3=6	±0.1
	>6=30	±0.2
	>30=120	±0.3
	>120=400	±0.5
>400=1000	±0.8	

Precautions:  
1.Hang the door into the guide rail component, the following buckle into the guide rail component, using the screw locking

THIS DRAWING AND SPECIFICATIONS HEREIN ARE THE PROPERTY OF Rakworx AND SHALL NOT BE COPIED, REPRODUCED OR USED IN WHOLE OR IN PART, AS THE BASIS FOR THE MANUFACTURE OR SALE OF ITEMS WITHOUT WRITTEN PERMISSION FROM Rakworx. THIS DRAWING IS BASED UPON LATEST AVAILABLE INFORMATION AND IS SUBJECT TO CHANGE WITHOUT NOTICE.

	Name	Date
Drawn by	Owen.Wu	20 Jan , 2016
Approved by	Zunzheng.Gu	22 Jan , 2016

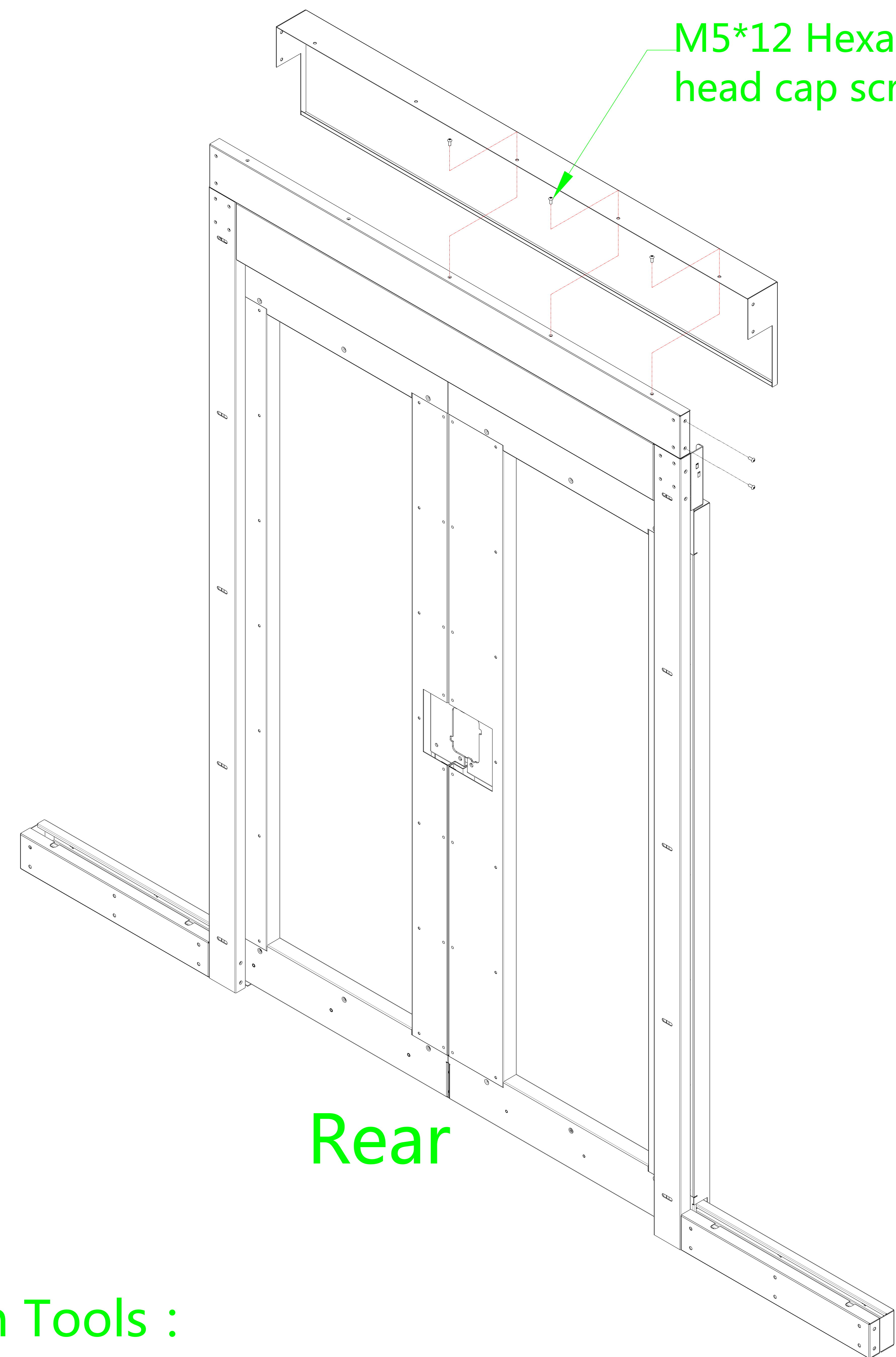


Description	Drawing No.
installation instructions	ACD1200
Scale : 1:1	Unit : mm
Third angle projection	Sheet: 15 OF 18

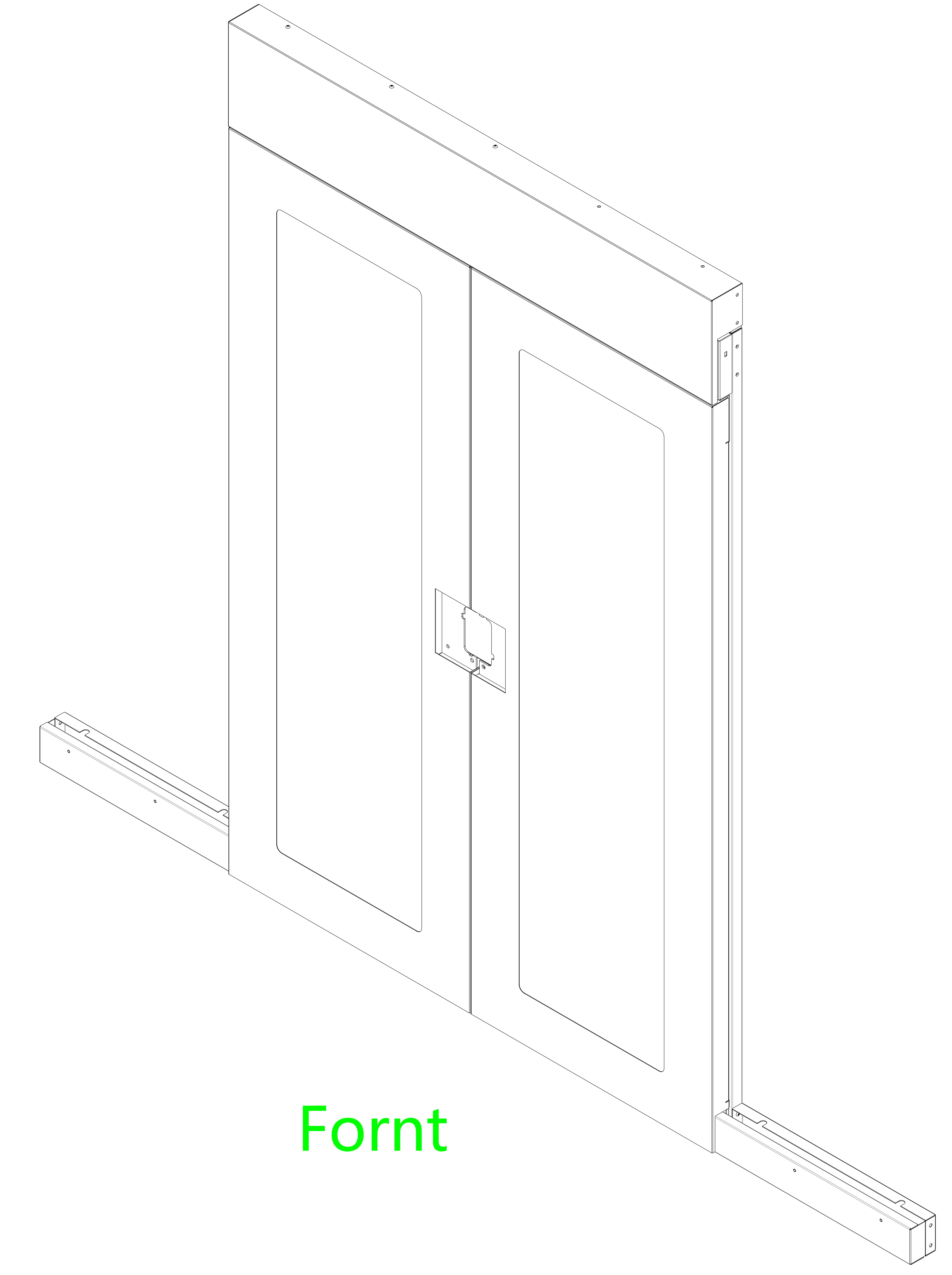


Tolerances/Tolerance ISO 2768-M

>0.5=3	±0.1
>3=6	±0.1
>6=30	±0.2
>30=120	±0.3
>120=400	±0.5
>400=1000	±0.8



Rear



Fornt

Installation Tools :  
5mm Six angle wrench  
Parts :  
M5\*12 Hexagon socket head cap screws

Precautions:  
1.The lintel using screws in the doorway mat

ECN/ECO			
REV.	DATE	Desp.	Sign
-	-	-	-
-	-	-	-

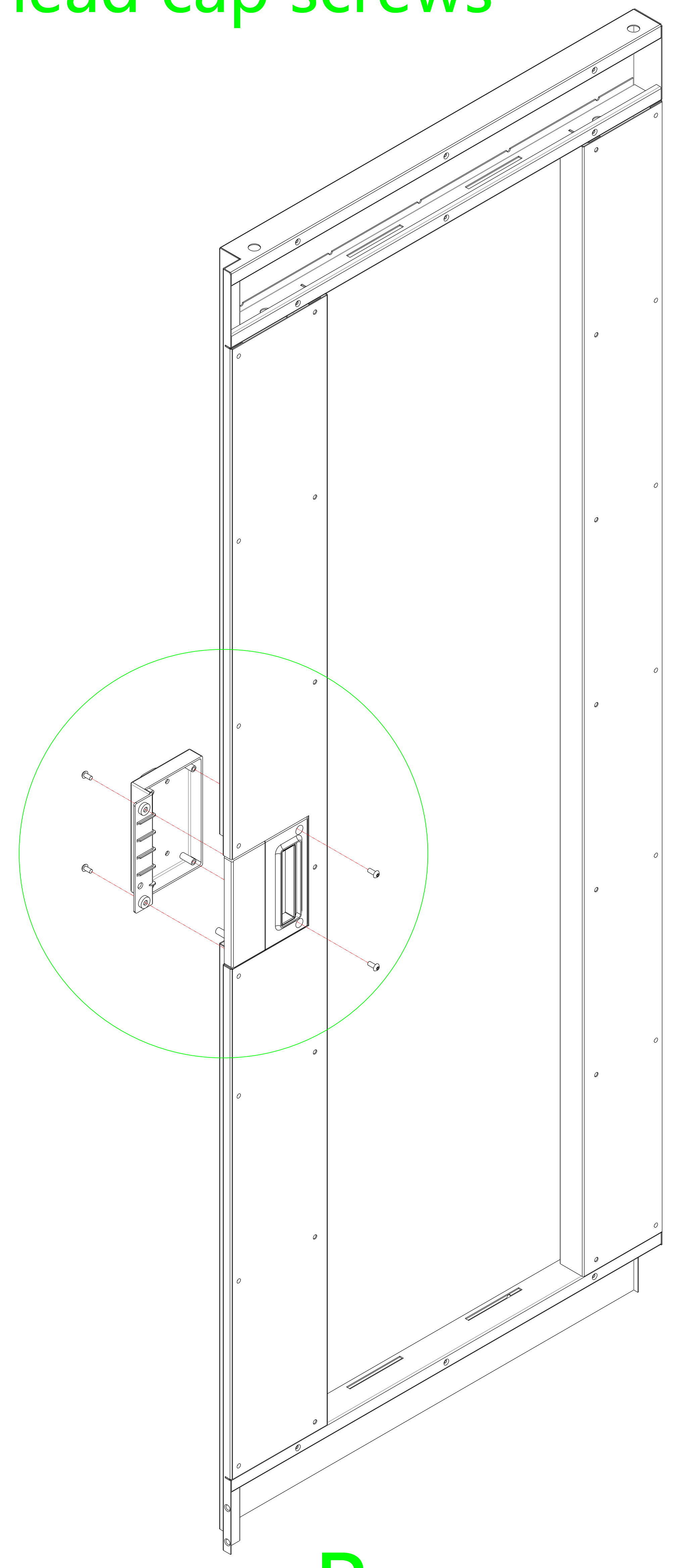
THIS DRAWING AND SPECIFICATIONS HEREIN ARE THE PROPERTY OF Rakworx AND SHALL NOT BE COPIED, REPRODUCED OR USED IN WHOLE OR IN PART, AS THE BASIS FOR THE MANUFACTURE OR SALE OF ITEMS WITHOUT WRITTEN PERMISSION FROM Rakworx. THIS DRAWING IS BASED UPON LATEST AVAILABLE INFORMATION AND IS SUBJECT TO CHANGE WITHOUT NOTICE.

Name	Date	Description	Drawing No.
Drawn by Owen.Wu	20 Jan , 2016	installation instructions	ACD1200
Approved by Zunzheng.Gu	22 Jan , 2016		Unit : mm
		Scale : 1:1	Sheet: 16 OF 18
		Third angle projection	

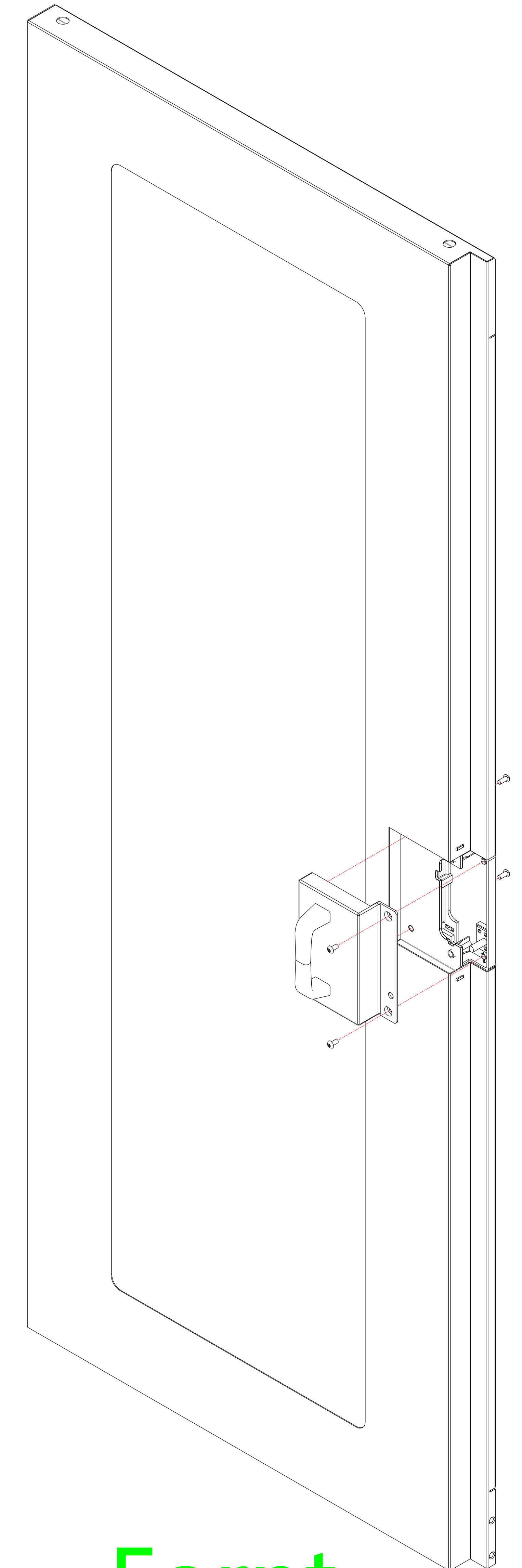


Tolerances/Tolerance ISO 2768-M	>0.5=3	±0.1
	>3=6	±0.1
	>6=30	±0.2
	>30=120	±0.3
	>120=400	±0.5
>400=1000	±0.8	

ECN/ECO			
REV.	DATE	Disp.	Sign
-	-	-	-
-	-	-	-



Rear



Fornt

- Installation Tools :
- 5mm Six angle wrench
- Parts :
- M5\*12 Hexagon socket head cap screws
  - M5\*8 Cross recessed head screws

Precautions:  
1.Use screws firmly lock

THIS DRAWING AND SPECIFICATIONS HEREIN ARE THE PROPERTY OF Rakworx AND SHALL NOT BE COPIED, REPRODUCED OR USED IN WHOLE OR IN PART, AS THE BASIS FOR THE MANUFACTURE OR SALE OF ITEMS WITHOUT WRITTEN PERMISSION FROM Rakworx. THIS DRAWING IS BASED UPON LATEST AVAILABLE INFORMATION AND IS SUBJECT TO CHANGE WITHOUT NOTICE.

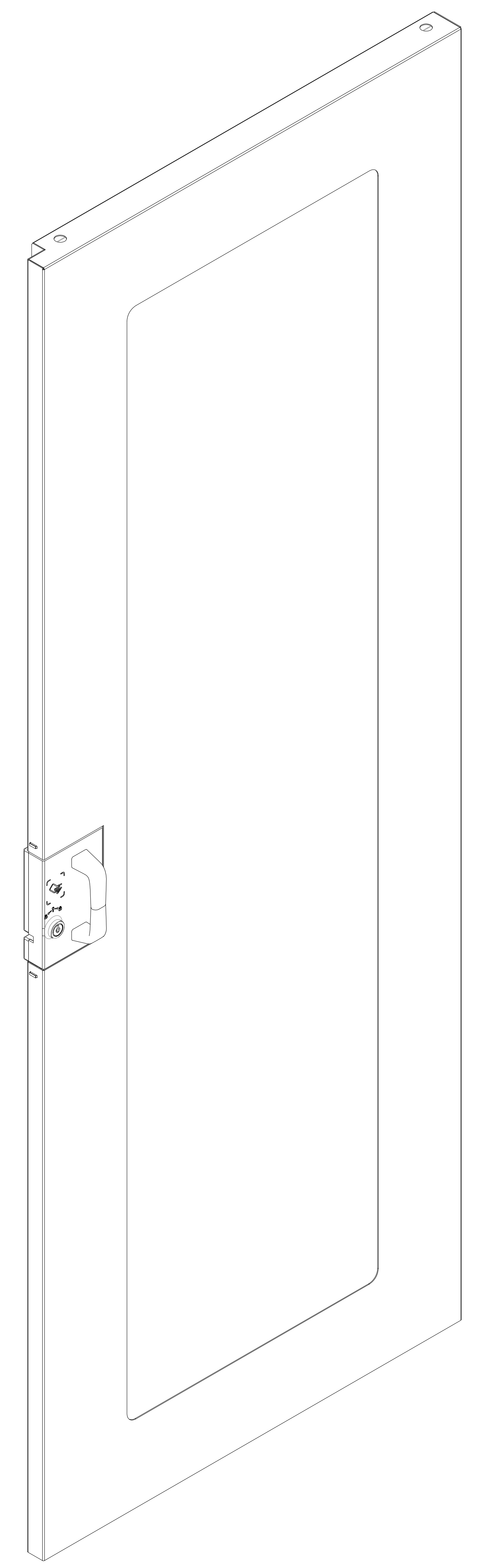
	Name	Date	Description	Drawing No.
Drawn by	Owen.Wu	20 Jan , 2016	installation instructions	ACD1200
Approved by	Zunzheng.Gu	22 Jan , 2016		Unit : mm
			Scale : 1:1	Sheet: 17 OF 18
			Third angle projection	



Toleranss/Tolerance ISO 2768-M	>0.5=3	±0.1
	>3=6	±0.1
	>6=30	±0.2
	>30=120	±0.3
	>120=400	±0.5
>400=1000	±0.8	

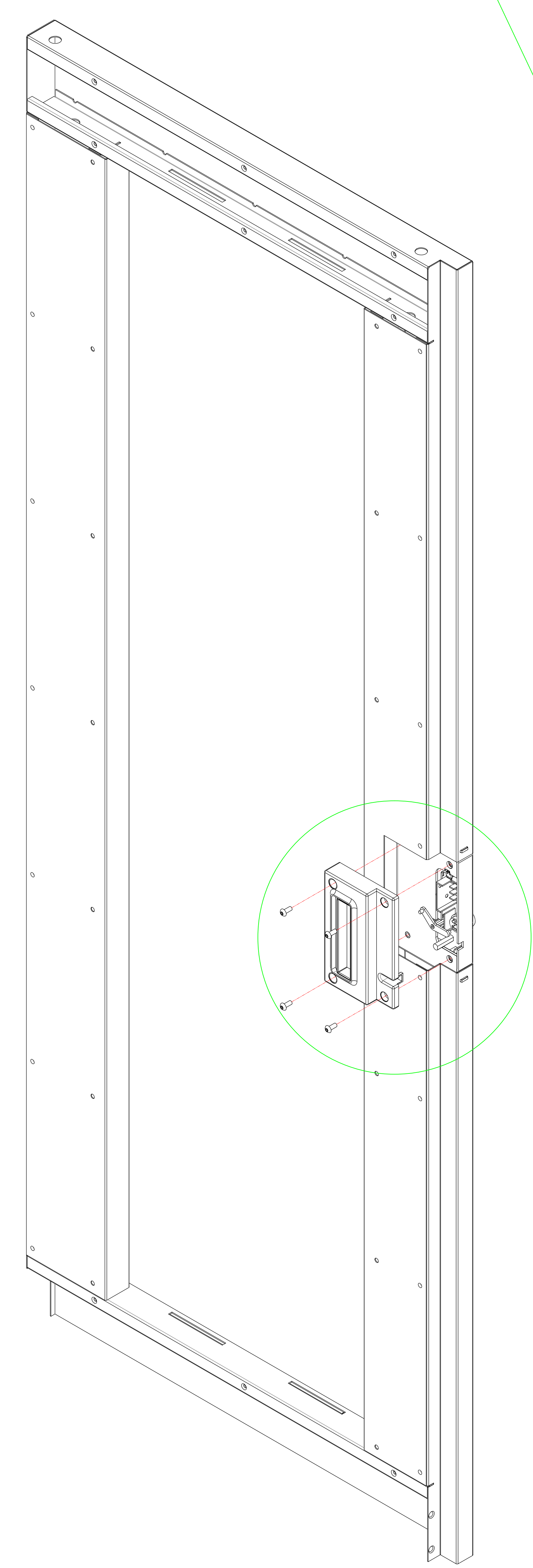
Installation Tools :  
5mm Six angle wrench  
Parts :  
M5\*12 Hexagon socket  
head cap screws

Precautions:  
1.Use screws firmly lock



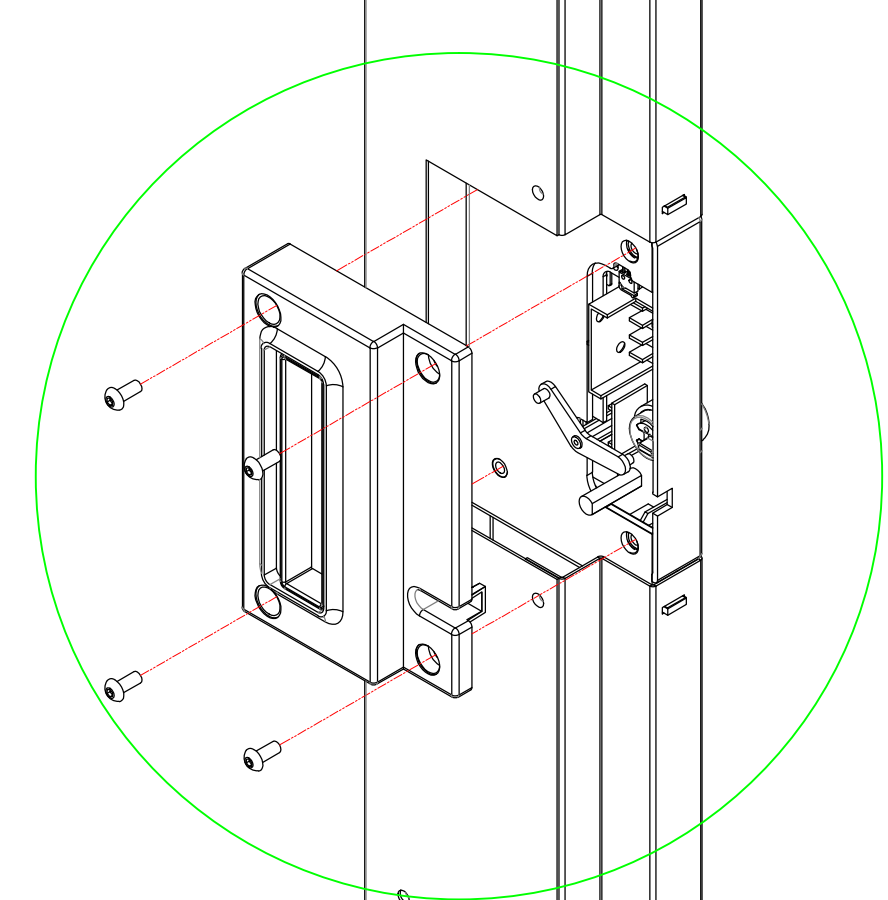
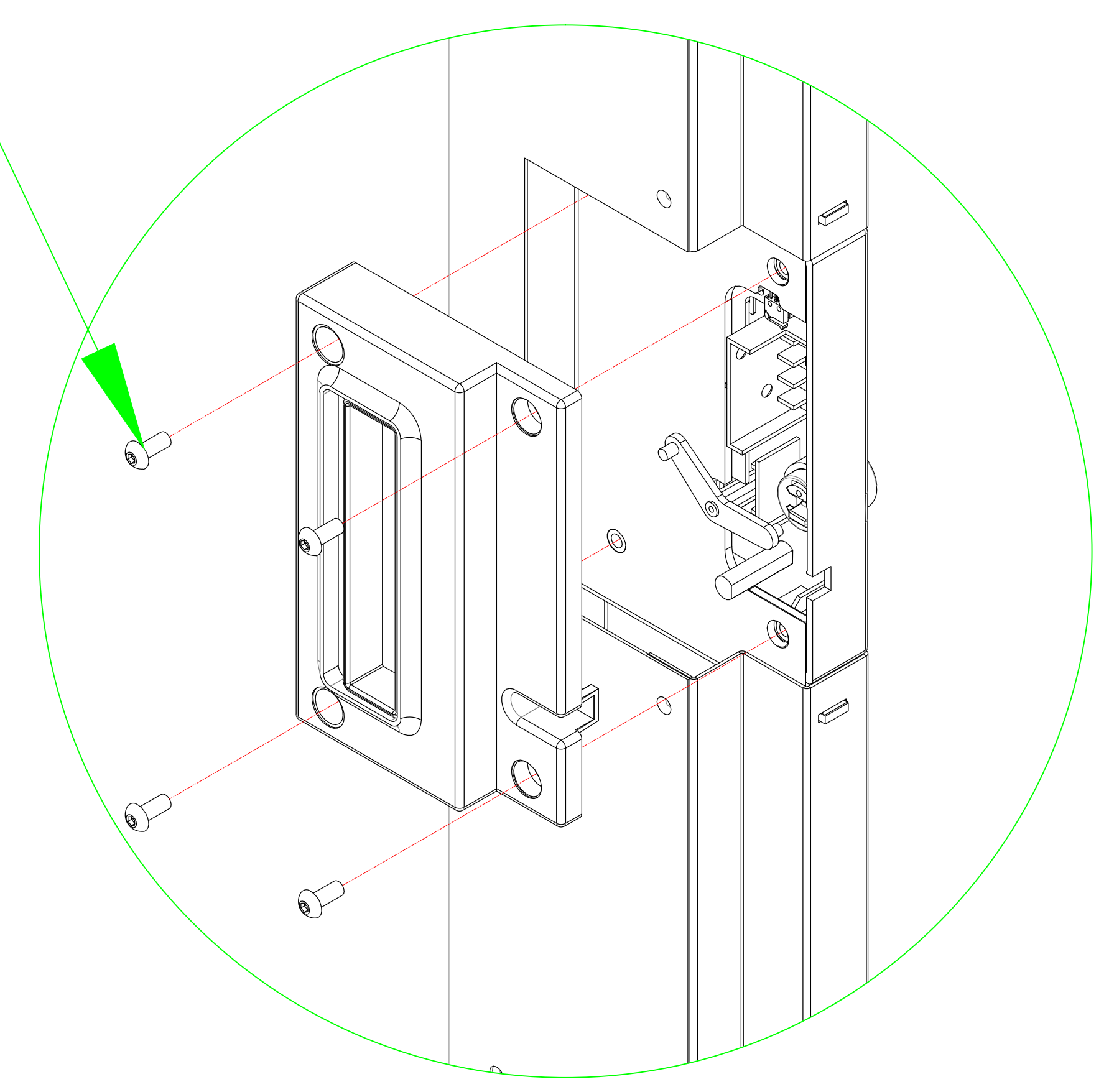
Fornt

M5\*12 Hexagon socket  
head cap screws



Rear

ECN/ECO			
REV.	DATE	Desp.	Sign
-	-	-	-
-	-	-	-



THIS DRAWING AND SPECIFICATIONS HEREIN ARE THE PROPERTY OF Rakworx AND SHALL NOT BE COPIED, REPRODUCED OR USED IN WHOLE OR IN PART, AS THE BASIS FOR THE MANUFACTURE OR SALE OF ITEMS WITHOUT WRITTEN PERMISSION FROM Rakworx. THIS DRAWING IS BASED UPON LATEST AVAILABLE INFORMATION AND IS SUBJECT TO CHANGE WITHOUT NOTICE.

	Name	Date
Drawn by	Owen.Wu	20 Jan , 2016
Approved by	Zunzheng.Gu	22 Jan , 2016



Description	Drawing No.
installation instructions	ACD1200
Scale : 1:1	Unit : mm
Third angle projection	Sheet: 18 OF 18