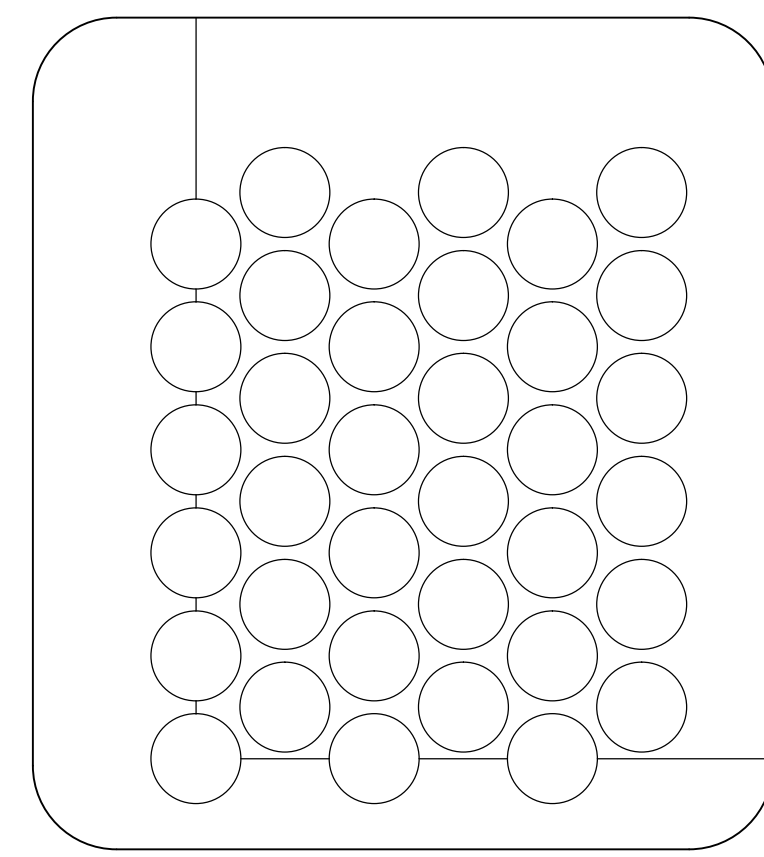
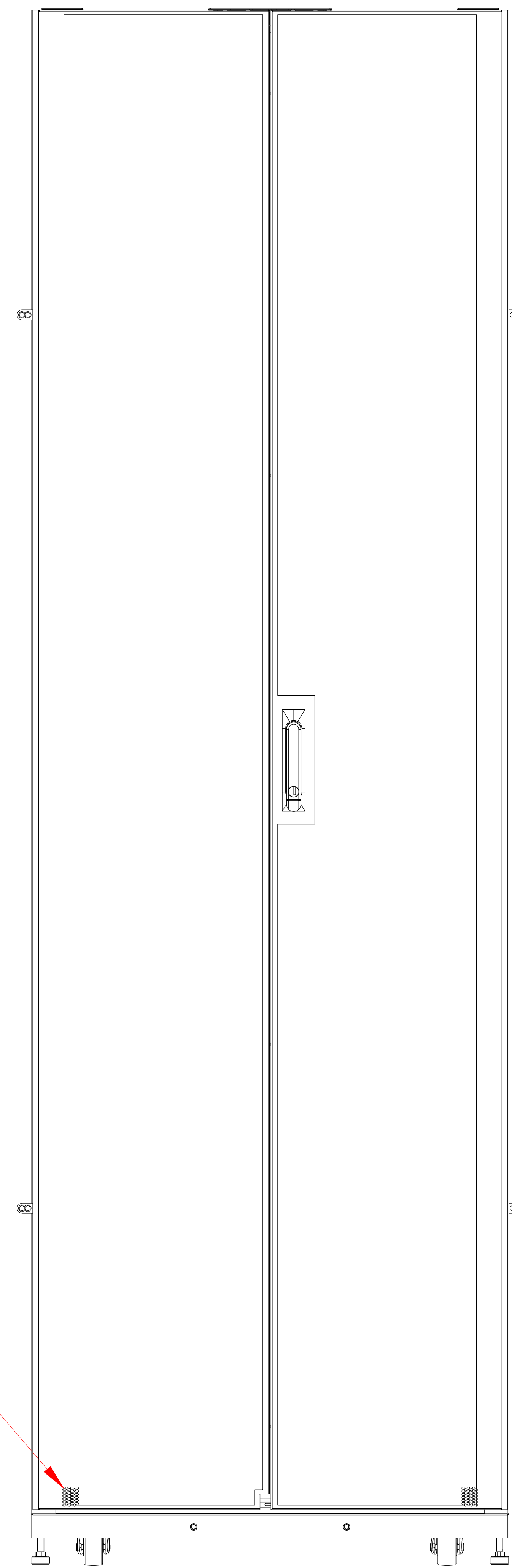


This panel is constructed with perforated material

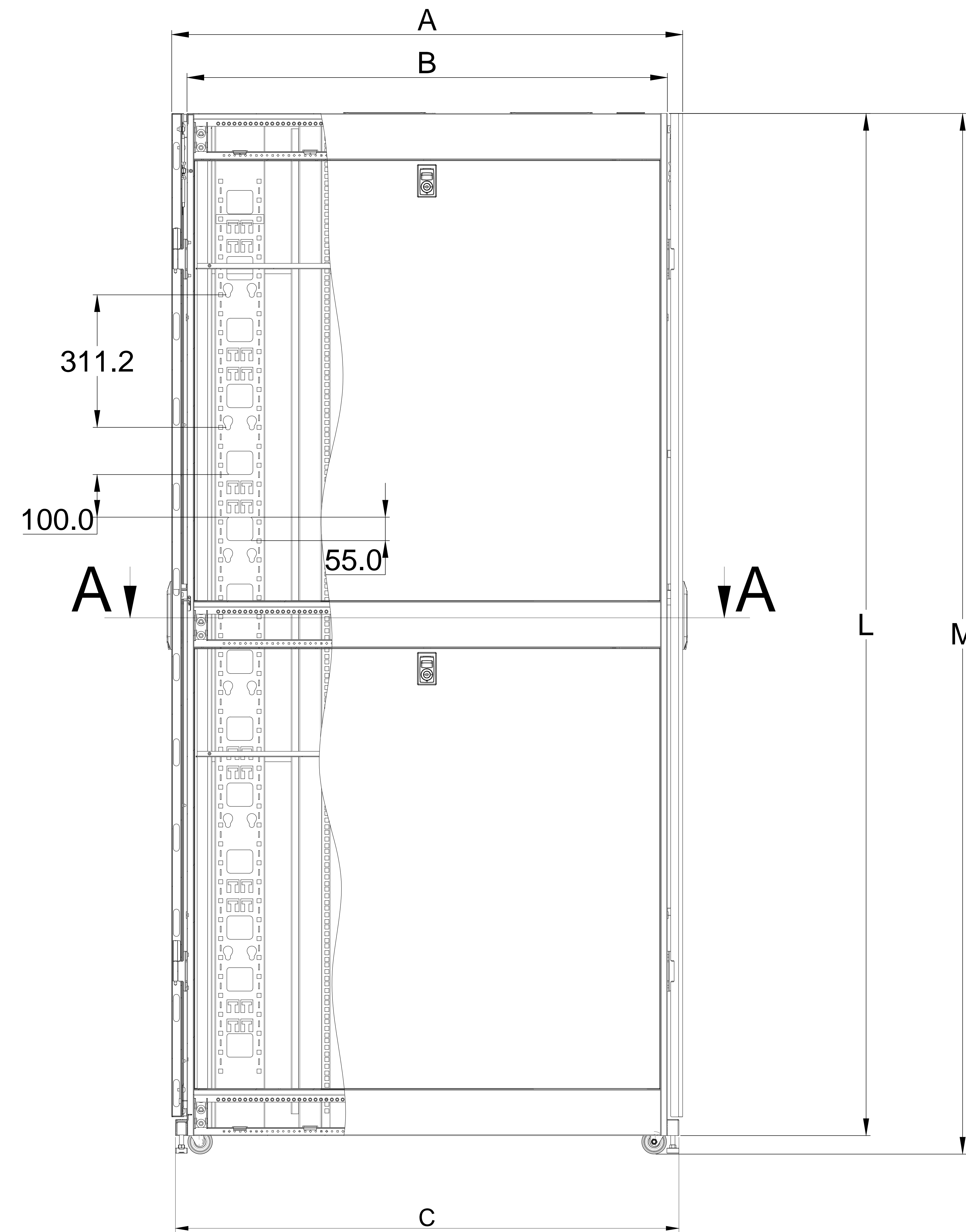


DETAIL A
SCALE 0.400

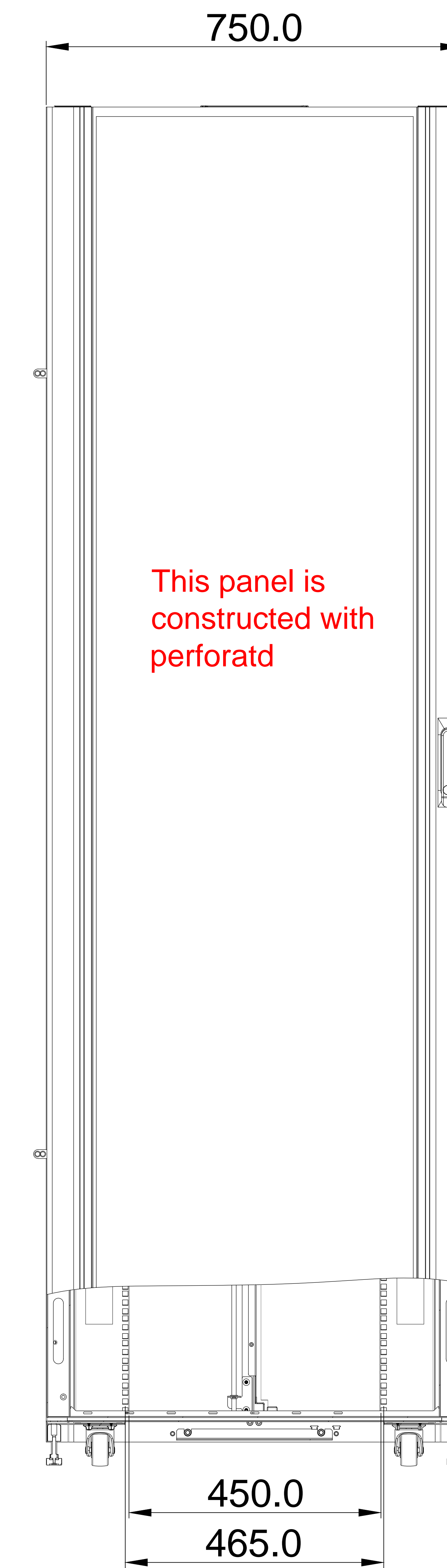
DETAIL A



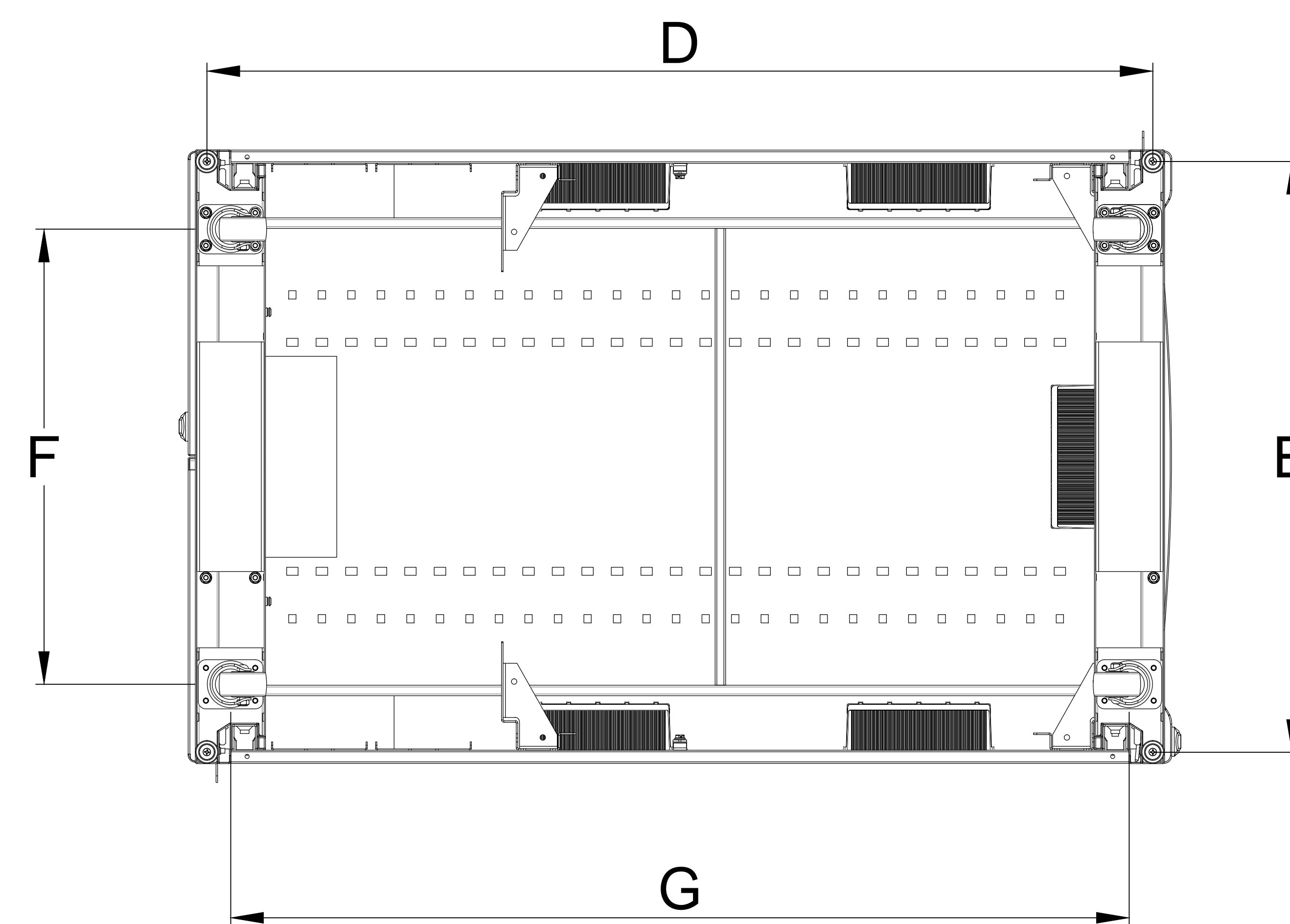
LEFT VIEW



FRONT VIEW



RIGHT VIEW




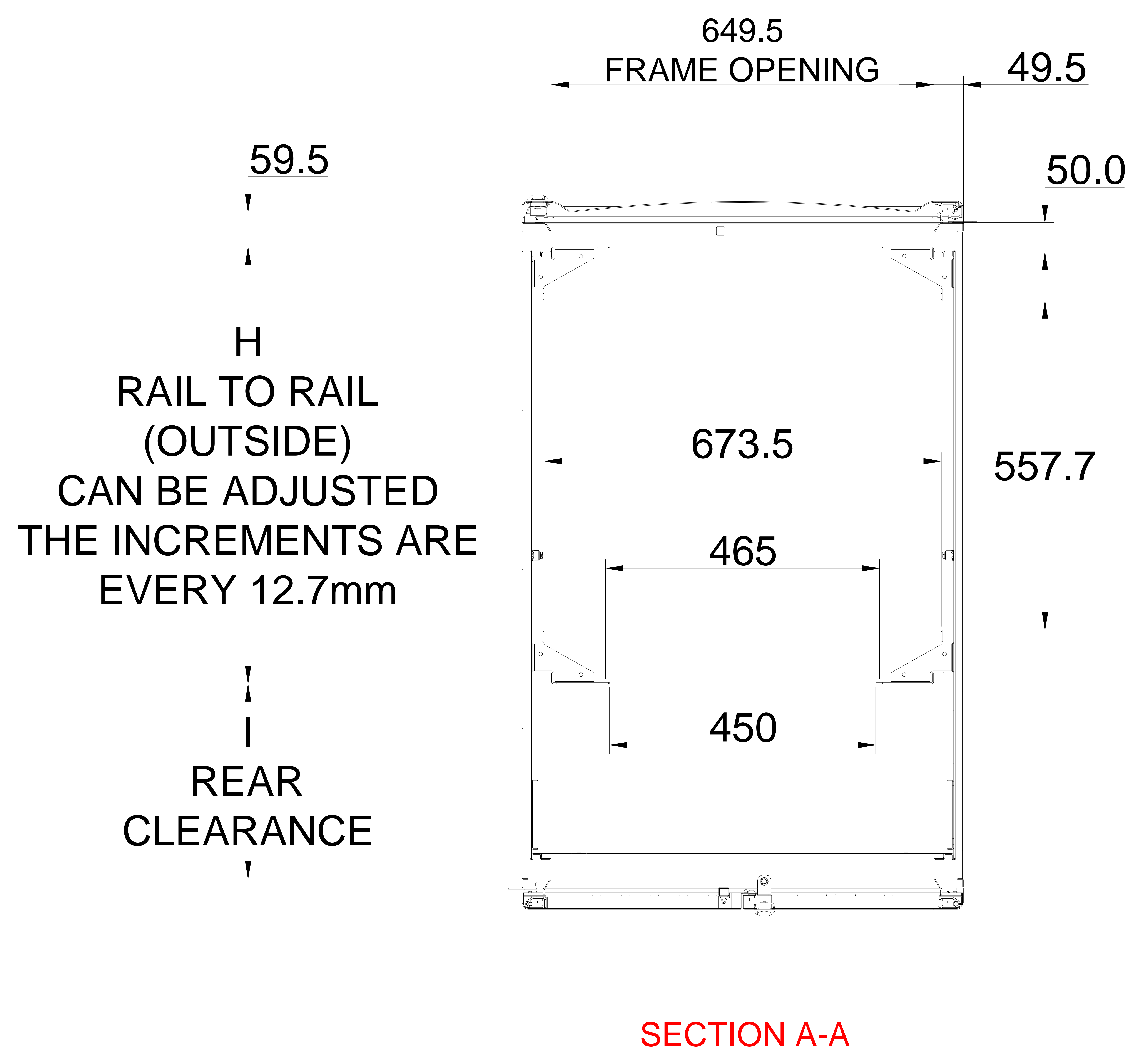
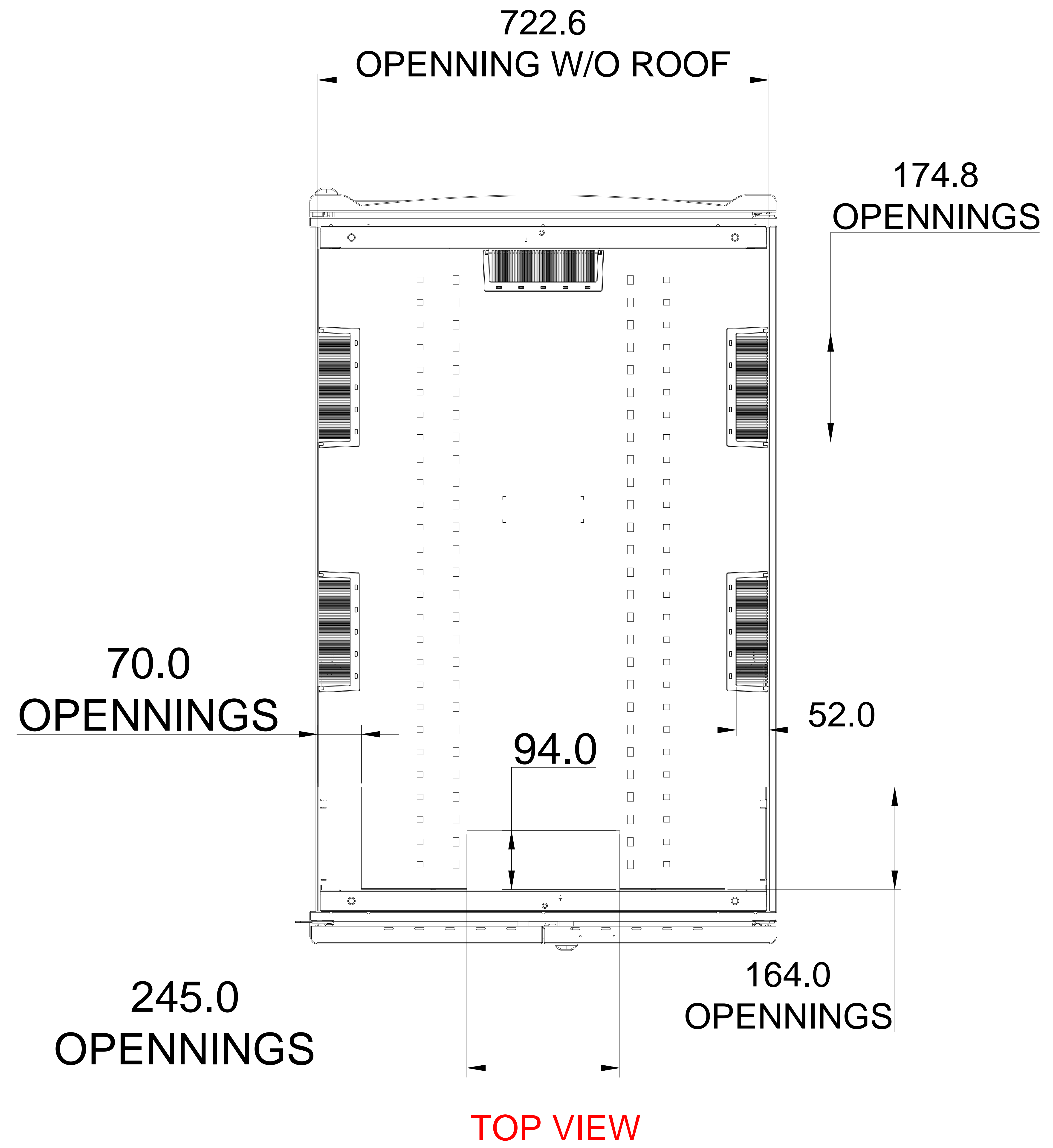
BOTTOM VIEW

NOTES:


1. COMPLY WITH ALL APPLICABLE NATIONAL, STATE AND LOCAL ELECTRICAL REGULATIONS.
2. REFER TO THE PRODUCT DOCUMENTATION FOR ADDITIONAL DETAILS PRIOR TO INSTALLATION AND SITE PREPARATION WORK.
3. ALL DIMENSIONS ARE IN MILLIMETERS .
4. NET WEIGHT OF ENCLOSURE IS 110-170 Kg .
5. CABLE ENTRY IS TOP OR BOTTOM OF ENCLOSURE.
6. FRONT AND REAR SERVICE ACCESS REQUIRED.
7. AIR FLOW AND SERVICE REQUIREMENTS, AS WELL AS MINIMUM CLEARANCE TO FIRE SUPPRESSION SYSTEMS SHOULD BE CONSIDERED WHEN LOCATING THE ENCLOSURE.

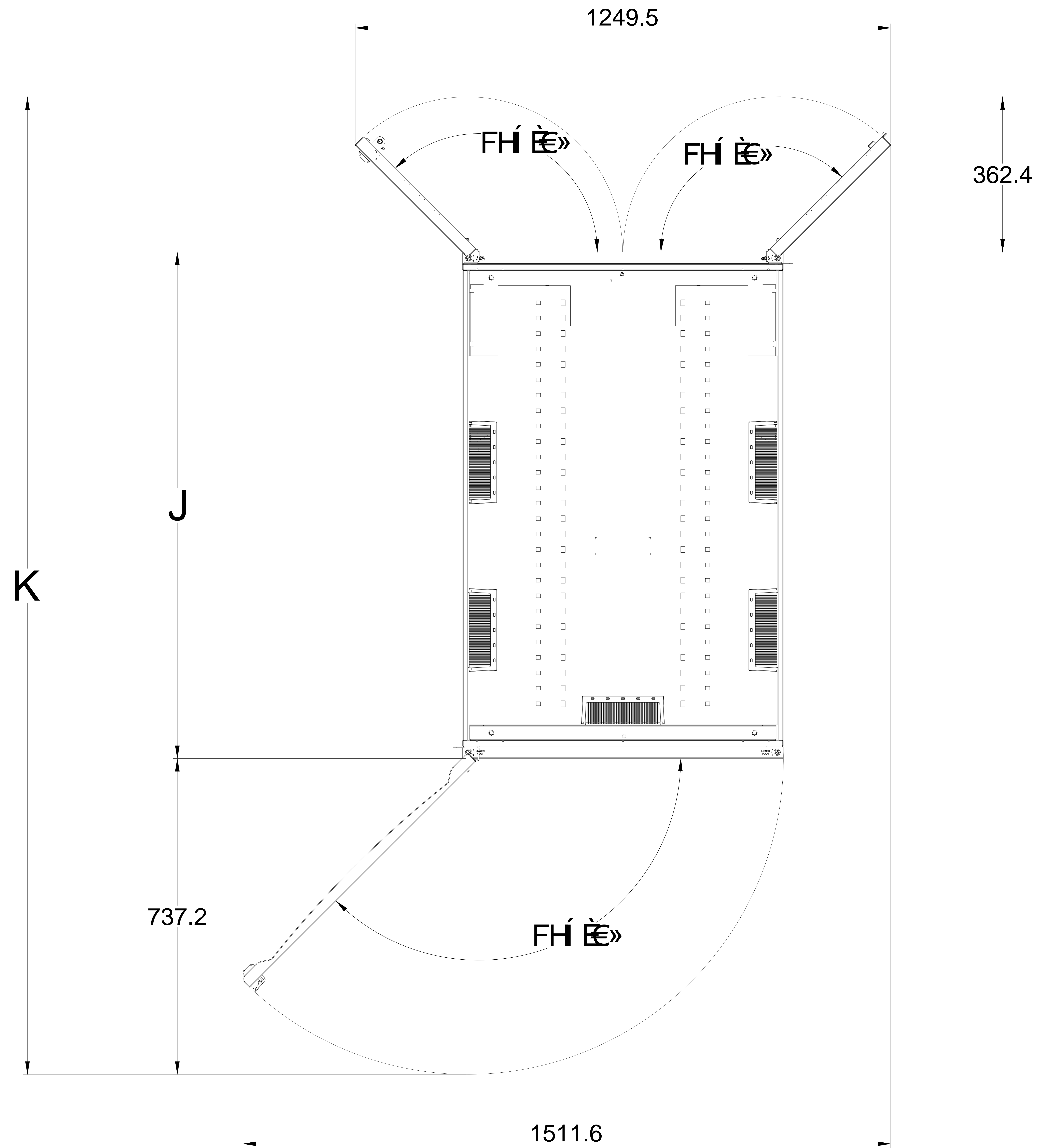
THIS DRAWING AND SPECIFICATIONS HEREIN ARE THE PROPERTY OF Rakworx AND SHALL NOT BE COPIED, REPRODUCED OR USED IN WHOLE OR IN PART, AS THE BASIS FOR THE MANUFACTURE OR SALE OF ITEMS WITHOUT WRITTEN PERMISSION FROM Rakworx. THIS DRAWING IS BASED UPON LATEST AVAILABLE INFORMATION AND IS SUBJECT TO CHANGE WITHOUT NOTICE.

	Name	Date	Description	Drawing No.
Drawn by			MAIN MECHANICAL	RCS750
Approved by				Unit: mm
			Scale: 1:1	Third angle projection
			Sheet: 10F4	




THIS DRAWING AND SPECIFICATIONS HEREIN ARE THE PROPERTY OF Rakworx AND SHALL NOT BE COPIED, REPRODUCED OR USED IN WHOLE OR IN PART, AS THE BASIS FOR THE MANUFACTURE OR SALE OF ITEMS WITHOUT WRITTEN PERMISSION FROM Rakworx. THIS DRAWING IS BASED UPON LATEST AVAILABLE INFORMATION AND IS SUBJECT TO CHANGE WITHOUT NOTICE.

	Name	Date	Description	Drawing No.
Drawn by			TOP VIEWS	RCS750
Approved by				Unit: mm
			Scale: 1:1	Third angle projection
				Sheet: 2OF4




**TOP VIEW
(DOORS FULLY OPEN)**

THIS DRAWING AND SPECIFICATIONS HEREIN ARE THE PROPERTY OF Rakworx AND SHALL NOT BE COPIED, REPRODUCED OR USED IN WHOLE OR IN PART, AS THE BASIS FOR THE MANUFACTURE OR SALE OF ITEMS WITHOUT WRITTEN PERMISSION FROM Rakworx. THIS DRAWING IS BASED UPON LATEST AVAILABLE INFORMATION AND IS SUBJECT TO CHANGE WITHOUT NOTICE.

	Name	Date	Description	Drawing No.
Drawn by			TOP VIEW (DOORS FULLY OPEN)	RCS750
Approved by				Unit: mm
			Scale: 1:1	Sheet:
			Third angle projection	

NO.	Drawing No.	A	B	C	D	E	F	G	H	I	J	K	L	M	
1	RCS72100	1000.0	927.6	981.6	953.3	720.3	555.0	895.6	700.0	170.0	982.3	2081.6	1955.0	1999.5	42U
2	RCS72107	1070.0	997.6	1051.6	1023.3	720.3	555.0	965.6	740.0	200.0	1052.3	2151.6	1955.0	1999.5	42U
3	RCS72110	1100.0	1027.6	1081.6	1053.3	720.3	555.0	995.6	740.0	230.0	1082.3	2181.6	1955.0	1999.5	42U
4	RCS72120	1200.0	1127.6	1181.6	1153.3	720.3	555.0	1095.6	740.0	330.0	1182.3	2281.6	1955.0	1999.5	42U
5	RCS78100	1000.0	927.6	981.6	953.3	720.3	555.0	895.6	700.0	170.0	982.3	2081.6	2221.7	2266.2	48U
6	RCS78107	1070.0	997.6	1051.6	1023.3	720.3	555.0	965.6	740.0	200.0	1052.3	2151.6	2221.7	2266.2	48U
7	RCS78110	1100.0	1027.6	1081.6	1053.3	720.3	555.0	995.6	740.0	230.0	1082.3	2181.6	2221.7	2266.2	48U
8	RCS78120	1200.0	1127.6	1181.6	1153.3	720.3	555.0	1095.6	740.0	330.0	1182.3	2281.6	2221.7	2266.2	48U

THIS DRAWING AND SPECIFICATIONS HEREIN ARE THE PROPERTY OF Rakworx AND SHALL NOT BE COPIED, REPRODUCED OR USED IN WHOLE OR IN PART, AS THE BASIS FOR THE MANUFACTURE OR SALE OF ITEMS WITHOUT WRITTEN PERMISSION FROM Rakworx. THIS DRAWING IS BASED UPON LATEST AVAILABLE INFORMATION AND IS SUBJECT TO CHANGE WITHOUT NOTICE.

	Name	Date	Description	Drawing No.
Drawn by			FORM	RCS750
Approved by				Unit: mm
			Scale: 1:1	Third angle projection
			Sheet:	